

COMPACTA A

AUTOMATIC RING WRAPPER FOR SPIRAL WRAPPING AND BANDING WITH STRETCH FILM



ROBOPAC 

ROBOPAC

ROBOPAC, established in 1982, is world leader in the stretch film wrapping technology with a production of over 5,000 machines/year, 70% of which exported to the main world markets.

Four technologies have been developed by the Company: robot, turntables and rotating arms for stretch film load stabilization (core business), stretch film horizontal wrapping machines for elongated products, shrink film packaging machines and taping machines.

Thanks to a worldwide capillary distribution network and to the spare parts servicing centers present in our foreign affiliates, ROBOPAC ensures a quick and decisive after sales service.

AETNA GROUP

AETNA GROUP produces and sells on a worldwide basis stretch film wrapping machinery, bundlers, shrink film wrappers, cartoning and taping machines. The Group counts 460 employees of which 80 engaged in the After Sales Department. 94, 000 machines sold and installed worldwide with yearly sales of over 124 million dollars. Four production plants, three of which are in Italy, one in the Republic of San Marino, a joint venture in India, ROBOPAC PERKS, a network of over 460 Agents and Distribution and 5 foreign affiliates located in France, Great Britain, Germany, United States and the new AETNA GROUP VOSTOK in Moscow.

COMPACTA A

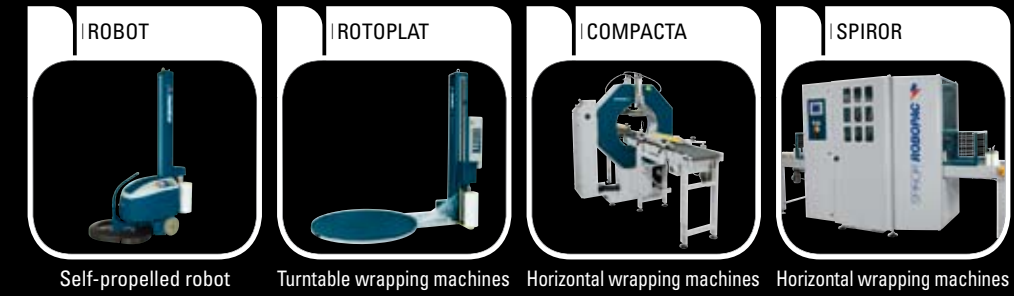
The Compacta series machines are built following high quality criteria and construction specifications that have been improved and refined through time. The high degree of satisfaction generated worldwide by the Compacta A series makes these machines the top preference of final users, which entrust their products to horizontal wrapping technology using stretch film. Thanks to a wide range of ring diameters this line of machines manufactured by ROBOPAC covers completely a broad range of wrapping needs. Compacta A is a machine that combines construction sturdiness with top-level automatic wrapping operations.

SINERT



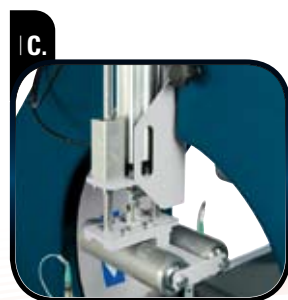
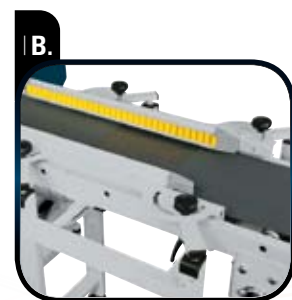
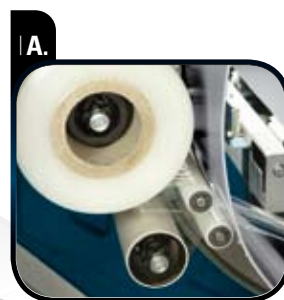
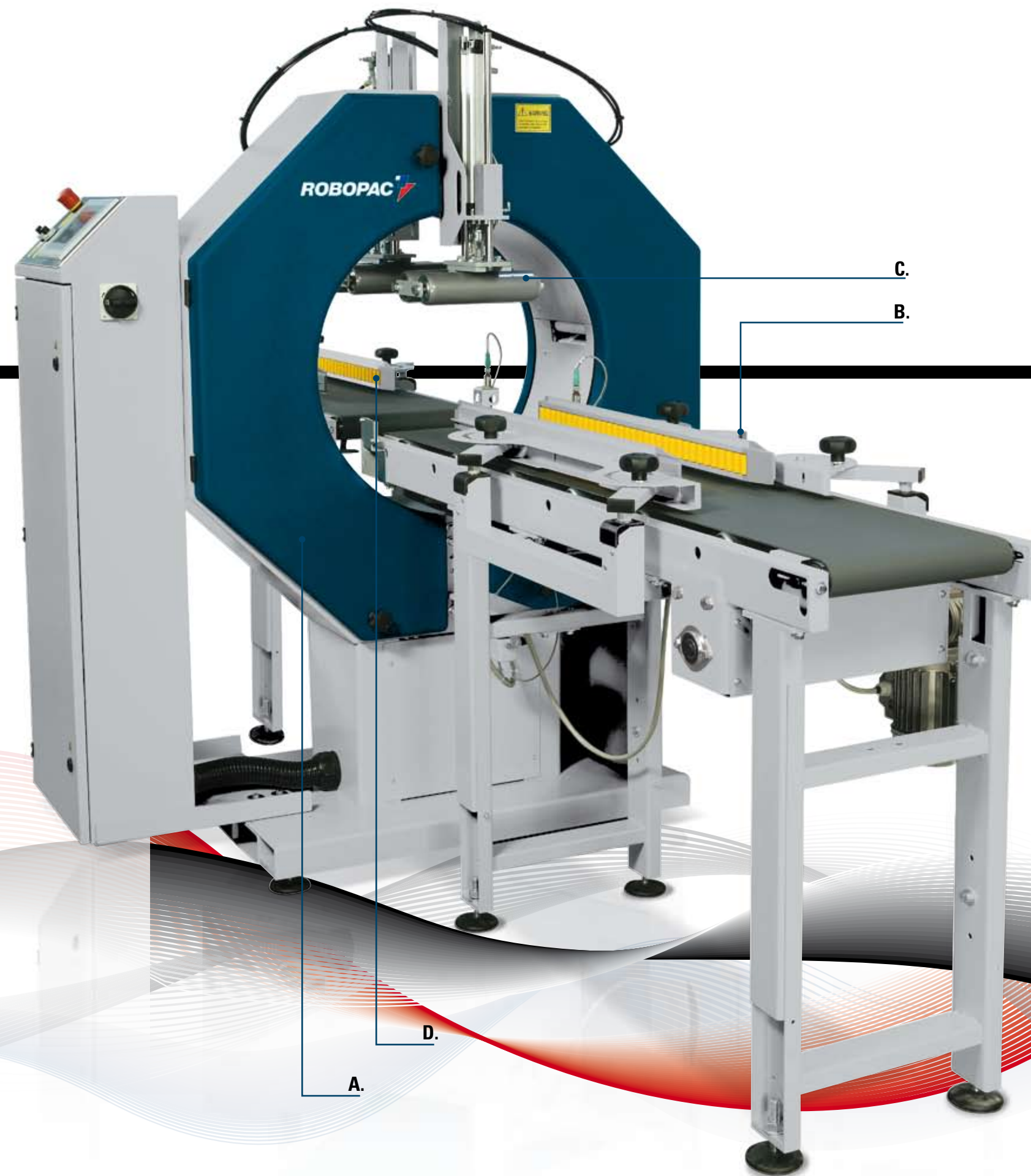
Since 1997 ROBOPAC is ISO 9001 certified and, since then, the company keeps investing in the improvement of its performances.

ROBOPAC's production range in packaging is based on the following types of machines:



COMPACTA A

AUTOMATIC RING WRAPPER FOR SPIRAL WRAPPING AND BANDING WITH STRETCH FILM



- A. FILM CARRIAGE
- B. MANUALLY ADJUSTABLE SIDE GUIDES
- C. PNEUMATIC TOP HOLD DOWN UNIT
- D. CUTTING AND CLAMPING UNIT

C.
B.

D.

A.



FILM CARRIAGE
The film carriage unit has an adjustable core break roller and it also has film reloading.



INFEED AND OUTFEED SIDE GUIDES
Infeed and outfeed side guides can be manually adjusted to better centre the products of different widths. This operation can be easily done using the available knobs. The product runs smoothly during the wrapping cycle thanks to the presence of idle rollers.



CUTTING AND CLAMPING UNIT
The highly reliable cutting and clamping system allows total automatic operation of the wrapping process.



FILM TENSIONING UNIT
The tensioning unit present in the 1200 version, guarantees optimal use of the film during the wrapping process. This feature is obtained using a mechanical dancer unit.

MAXIMUM SAFETY!



RING
The highly resistant rotating ring is supported by high-resistance polyamide resin rollers and it is built in single casting aluminum. This guarantees great strength and reliability of the circular motion.



INFEED AND OUTFEED PNEUMATICALLY OPERATING TOP PRESSURE UNITS
The vertical pressure units automatically settle in order to ensure a correct stabilisation of the product. The cylinder stroke can be adjusted manually to adjust the pressure on the products of different heights.



FILM SLOT
Total machine closure contributes to ensure maximum safety levels to the overall wrapping process.

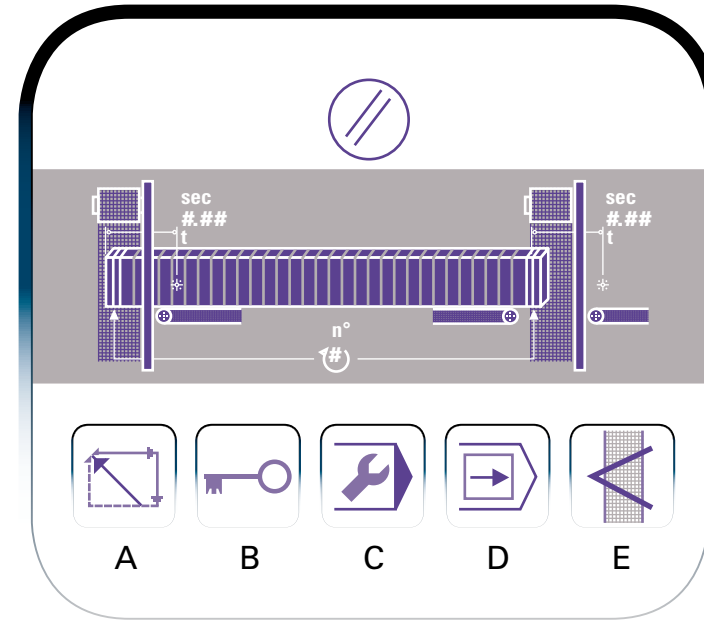


CYCLE START AND EMERGENCY
Maximum control over the wrapping cycle is also achieved through the foot pedal and the emergency stop button that controls the start and the stop of the process. The operator maintains always an optimal safety distance.



HMI TOUCH SCREEN CONTROL PANEL

In the A version, the controls and functions of the machine are managed by simply pressing the icons on the touch screen. The system makes the operator's job easier by following the wrapping process step-by-step. The electronics of the machine ensures maximum expandability and versatility.



- A. PROGRAM RESET
- B. CONTROL BOARD LOCKOUT
- C. WORK PARAMETERS
- D. PRODUCTION DATA
- E. CUTTING AND CLAMPING DURING FILM RELOADING

OUR PRODUCT RANGE



| COMPACTA 400



| COMPACTA 620

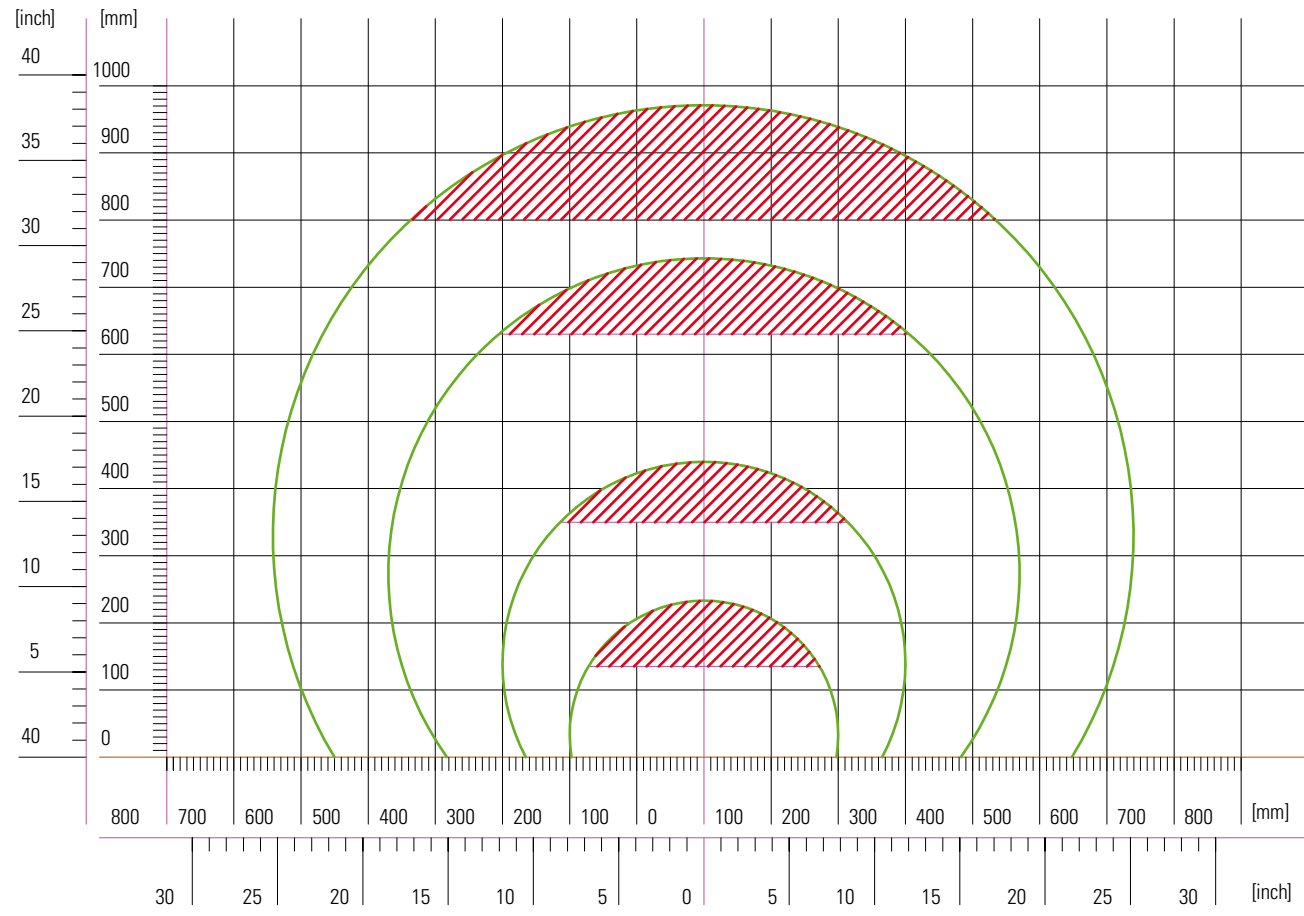


| COMPACTA 960



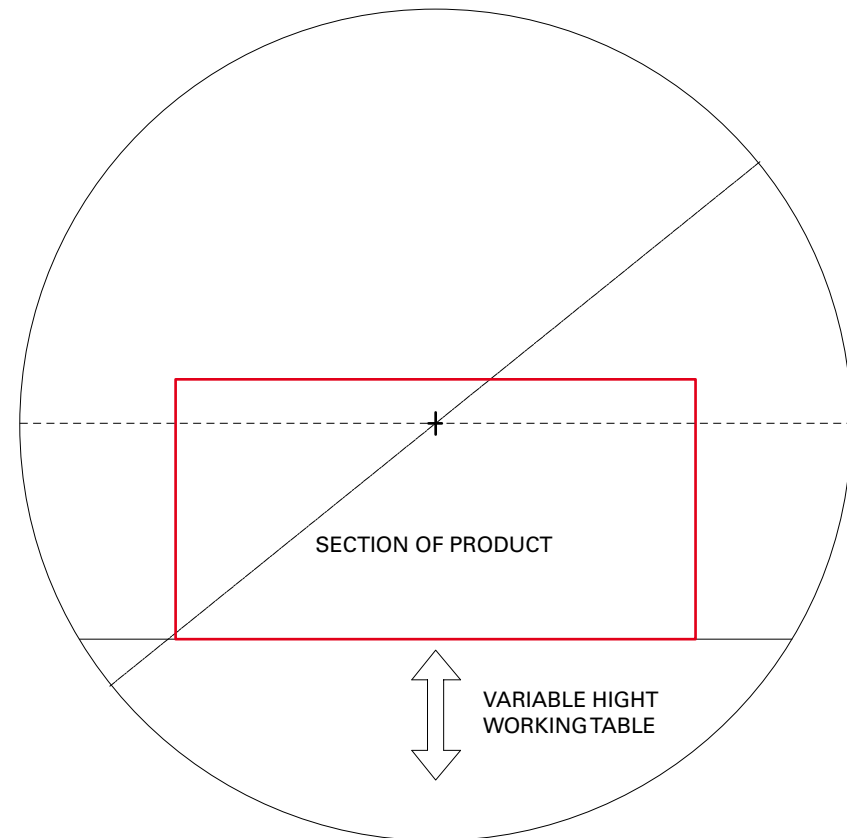
| COMPACTA 1200

COMPACTA 400-620-960-1200 A DIMENSIONS THAT CAN BE WORKED



COMPACTA 400-620-960-1200 A OPTIMAL WRAPPING CONDITION

To achieve the best results while wrapping the product it is necessary that the centre of the Compacta rotating ring falls within the product profile as shown in the scheme. To do so all the Compacta Automatic machines feature the possibility to adjust the height of the conveyor.



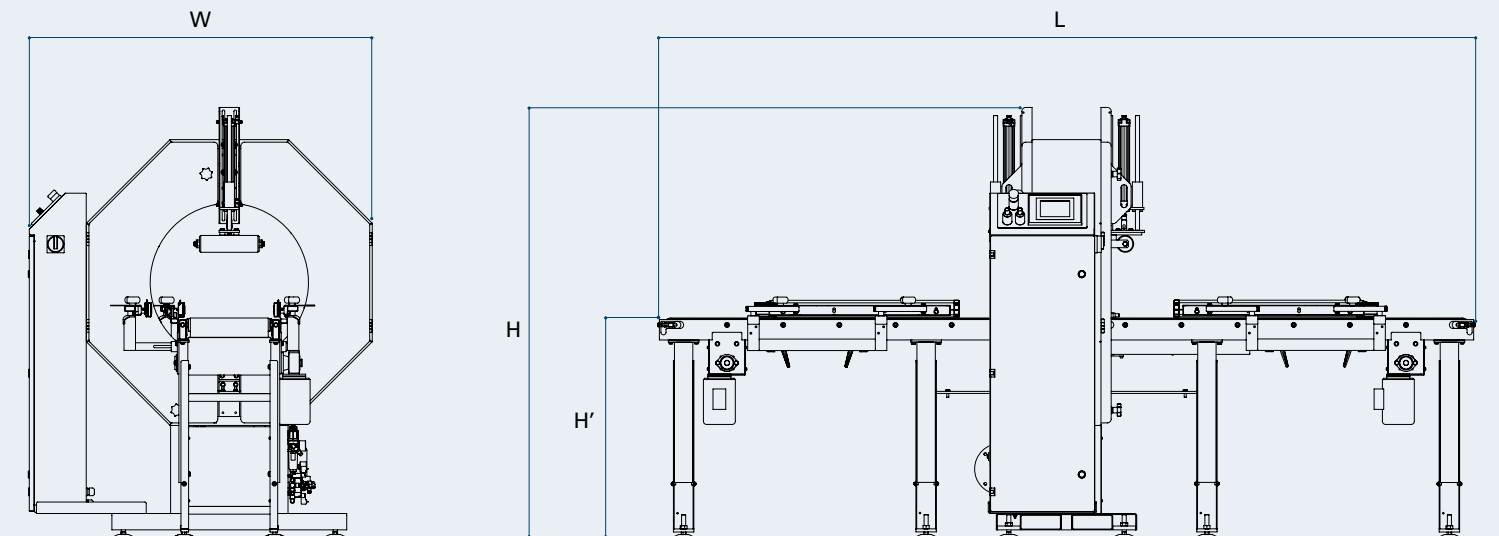
TECHNICAL FEATURES

MACHINE	COMPACTA 400 A	COMPACTA 620 A	COMPACTA 960 A	COMPACTA 1200 A
Ring size	15"	24"	38"	48"
Belt driven rotation unit	STD	STD	STD	STD
Max rotation speed	160 rpm	120 rpm	70 rpm	60 rpm
Fully automatic spiral wrapping cycle	STD	STD	STD	STD
Infeed and outfeed powered conveyors	STD	STD	STD	STD
Adjustable conveyors speed controlled by VFD (foot/min)	26÷55' /mi	19÷42' /mi	6÷26' /mi	16÷45' /mi
Product infeed and outfeed detecting photoeye	STD	STD	STD	STD
Manually adjustable side guides	STD	STD	STD	STD
Pneumatic infeed/ outfeed top hold down	STD	STD	STD	STD
Pneumatically operated film cutting and clamping unit	STD	STD	STD	STD
Constant film tensioning	STD	STD	STD	STD
Power supply voltage	STD	STD	STD	STD
Installed power	1.74 HP	1.74 HP	1.74 HP	2.54 HP
Working pressure 88 psi	x	x	x	x
Compressed air consumption/ cfm	0.56	0.56	0.56	1.06
FILM ROLL				
Film width	2/5"	2/5"	2/5"	2/5"
Max film roll	8"	8"	8"	10"
Core	x	x	x	x

MACHINE DIMENSIONS

MACHINE	COMPACTA 400 A	COMPACTA 620 A	COMPACTA 960 A	COMPACTA 1200 A
L	126"	126"	126"	133"
W	44"	50"	62"	93"
H	57"	67"	82"	86"
H'	34/35"	34/39"	34/40"	32/42"

COMPACTA 400-620-960-1200 A



We pack your business!
www.aetnagroup.com

AETNA GROUP U.S.A. Inc.

2475B Satellite Blvd. - Duluth - GA 30096-5805 - USA
phone (+1) 678 473 7896 - toll free (866) 713 7286 - fax (+1) 678 473 1025
aetnagroup@aetnagroupusa.com

ROBOPAC SA

Strada Rovereta, 27 - 47891 Falciano - Repubblica di San Marino
tel. (+378) 0549 910511 - fax (+378) 0549 908549/905946
ropobac@aetnagroup.com

AETNA GROUP SPA - ROBOPAC SISTEMI DIVISION

S.S. Marecchia, 59 - 47827 Villa Verucchio - Rimini
tel. (+39) 0541 673411 - fax (+39) 0541 679576
ropobacsistemi@aetnagroup.com

AETNA GROUP SPA - DIMAC DIVISION

Via Rinascita, 25 - 40064 Ozzano Emilia - Bologna
tel. (+39) 051 791611 - fax (+39) 051 6511013
dimac@aetnagroup.com

Via Villanova, 305 - 61010 Pietracuta di San Leo - Pesaro Urbino
tel. (+39) 0541 671131 - fax (+39) 0541 679576
pentatec@aetnagroup.com

AETNA GROUP UK LTD

Packaging Heights

Highfield Parc - Oakley - Bedford MK43 7TA - England
tel. (+44) 0 1234 825050 - fax (+44) 0 1234 827070
sales@aetna.co.uk

AETNA GROUP FRANCE S.a.r.l.

4, Avenue de l'Europe - 69150 Décines - France
tél. (+33) 04 72 14 54 01 - télécopie (+33) 04 72 14 54 19
commercial@aetnafr.aetnagroup.com

AETNA GROUP DEUTSCHLAND GmbH

Liebigstr. 6 - 71229 Leonberg - Höfingen - Germany
tel. (+49) 0 7152 33 111 30 - fax (+49) 0 7152 33 111 40
info@aetna-deutschland.de

ROBOPAC PERKS MACHINERY (I) PVT. LTD.

Khyati Industrial Estate, Plot B/7 - unit No. 115/116 - Laxmi Nagar
Goregaon (W) - Mumbai - 400 900 - India
tel. (+91) 022 878 2281 - fax (+91) 022 874 6173
perkengineering@vsnl.com

AETNAGROUP
USA 