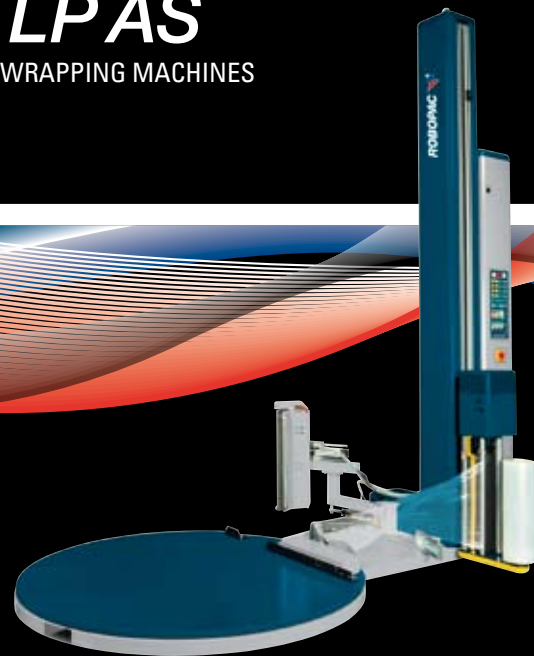


# *ROTOPLAT LP AS*

AUTOMATIC TURNTABLE STRETCH WRAPPING MACHINES



**ROBOPAC** 

# ROBOPAC

ROBOPAC, established in 1982, is world leader in the stretch film wrapping technology with a production of over 5,000 machines/year, 70% of which exported to the main world markets.

Four technologies have been developed by the Company: robot, turntables and rotating arms for stretch film load stabilization (core business), stretch film horizontal wrapping machines for elongated products, shrink film packaging machines and taping machines.

Thanks to a worldwide capillary distribution network and to the spare parts servicing centers present in our foreign affiliates, ROBOPAC ensures a quick and decisive after sales service.

# AETNA GROUP

AETNA GROUP produces and sells on a worldwide basis stretch film wrapping machinery, bundlers, shrink film wrappers, cartoning and taping machines. The Group counts 460 employees of which 80 engaged in the After Sales Department. 94, 000 machines sold and installed worldwide with yearly sales of over 124 million dollars. Four production plants, three of which are in Italy, one in the Republic of San Marino, a joint venture in India, ROBOPAC PERKS, a network of over 460 Agents and Distribution and 5 foreign affiliates located in France, Great Britain, Germany, United States and the new AETNA GROUP VOSTOK in Moscow.

# ROTOPLAT LP AS

The automatic Rotoplat machines represent the innovative and flexible solution to fully automatic pallet wrapping. The operator places the load on the turntable, starts - off cycle by remote control or lanyard and, after having accomplished the wrapping cycle in an automatic manner, removes the pallet. The innovative Film Clamping & Cutting Unit with integrated sealer ensures accurate hooking, cutting and sealing of film tail that perfectly adheres to the pallet; full respect of the safety rules is guaranteed in every operating condition. The pallet can be positioned by fork lift truck or pallet jack and, thanks to the base plate 4" high, Rotoplat LP-AS has a high operating flexibility.





SINERT



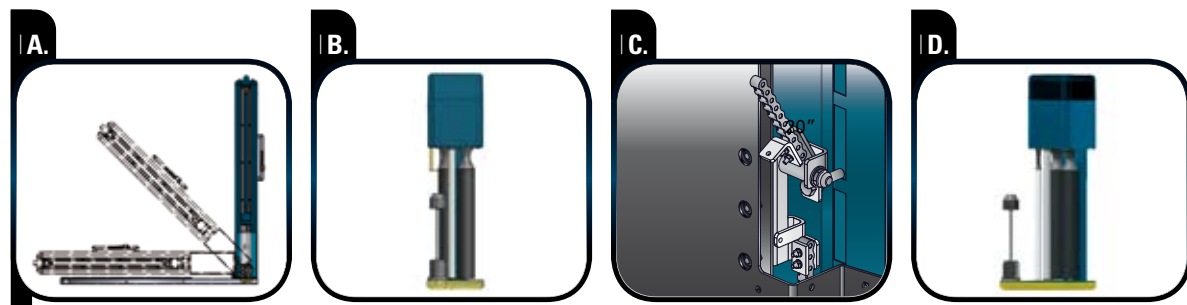
Since 1997 ROBOPAC is ISO 9001 certified and, since then, the company keeps investing in the improvement of its performances.

ROBOPAC's production range in packaging is based on the following types of machines:



<b>ROBOT</b> 	<b>ROTOPLAT</b> 	<b>COMPACTA</b> 	<b>SPIROR</b> 
Self-propelled robot	Turntable wrapping machines	Horizontal wrapping machines	Horizontal wrapping machines





# ROTOPLAT LP AS

AUTOMATIC TURNABLE STRETCH WRAPPING MACHINES

- A. HINGED MAST
- B. SAFETY STOP AT FILM CARRIAGE BASE
- C. FILM CARRIAGE STOPPING DEVICE IN CASE OF ACCIDENTAL FALLING
- D. "QLS" SYSTEM (QUICK LOAD SYSTEM) FOR EASY AND QUICK FILM RELOADING

The LP-AS Rotoplat series is built following the high quality standards of all ROBOPAC machines.

The turntable is mounted on heavy duty casters with sealed bearings.

A high resistance chain and sprocket system ensures consistent and reliable rotation; the mast, built in cold folded steel plate, has a tubular inner structure to achieve higher sturdiness. All these qualities are to guarantee the best possible performances and a reduced wear of all parts.

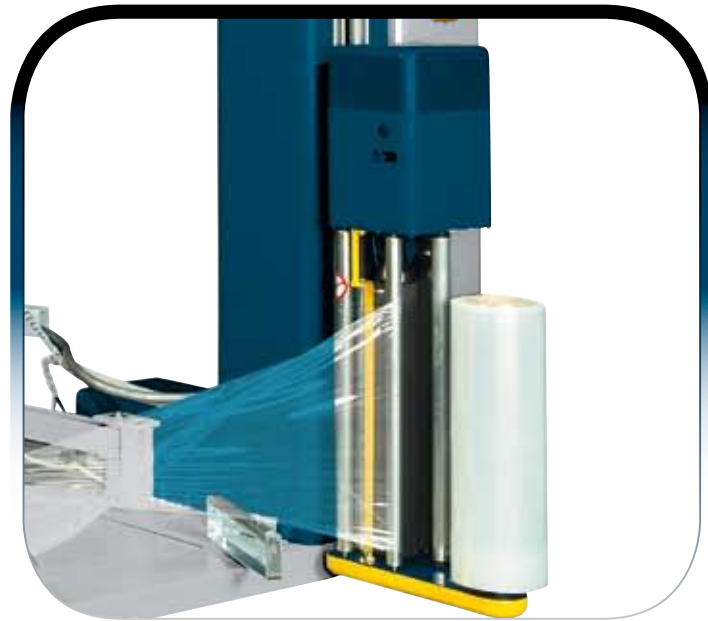
The new turntable base has front and rear forklift portability to facilitate operations.





#### CLAMP, CUTTING AND SEALING UNIT

The innovative clamp and cutting unit is based on a pneumatic system and delivers high precision and reliable performances by executing each operation step by step. The integrated sealing unit on the LP AS machines is able to seal the film at the end of each wrapping cycle and ensures the absence of any tail. The clamp unit allows the machine to be always ready for the next cycle.



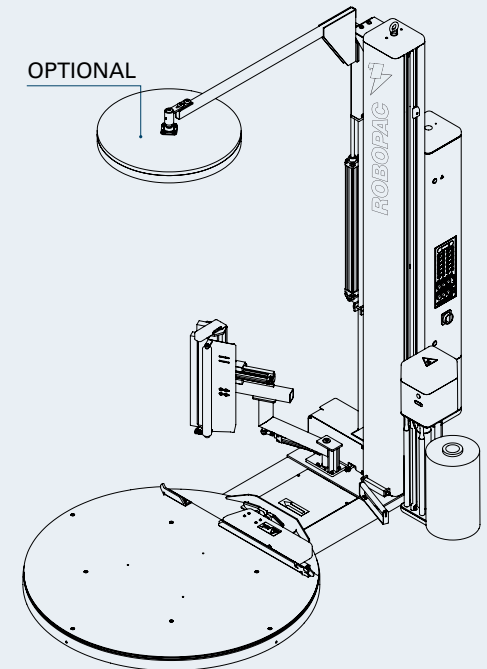
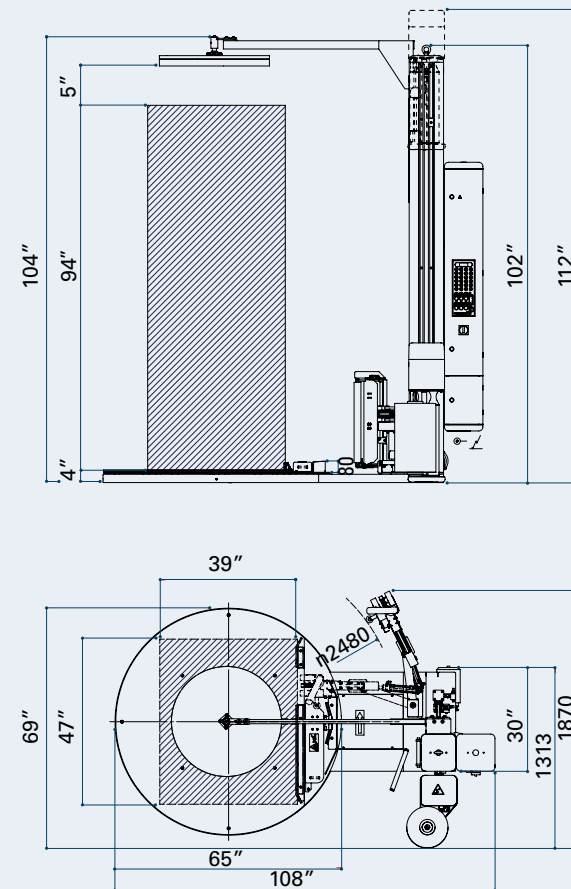
#### PFS FILM CARRIAGE

Film carriage with powered pre-stretch system. Pre-stretch ratio adjustable on control panel from 0% to 300% by electromagnetic clutch. Force to load controlled by patented electronic device and adjustable from the operator panel.

### TECHNICAL FEATURES

MACHINE	ROTOPLAT LP AS
Number of turntable casters	16
Turntable capacity	4400 lb
Turntable diameter	70"
Max wrapping height	94"
Turntable speed	4-15 RPM
Film carriage type	PFS (variable pre-stretch up to 300%)
Front and rear forklift portability	STD
ELECTRICAL REQUIREMENTS	
Power supply	120 VAC
Power supply frequency	60 Hz
Installed power	3.1/ 4.1 kW/Hp
CONTROL	
Standard remote control kit and lanyar	STD
Home position	STD
Soft start	STD
Adjustable film carriage speed	5.2-14.5 foot/min
Table rotation speed control	STD

#### ROTOPLAT LP AS 506 PFS



#### CONTROL PANEL

The control panel is equipped with a practical alert system that detects and locate where maintenance/action might be needed.

#### CONTROL BOARD BUTTONS

- A. STOP
- B. START
- C. RESET
- D. CARRIAGE DESCENT
- E. TOP HOLD DOWN UP/DOWN
- F. CARRIAGE STOP

#### PARAMETERS DESCRIPTION

- Table rotation speed
- Film tensioning
- Carriage up/ down speed
- Film tensioning upward/downward
- Bottom And Top wraps
- Film pre-stretch 0% to 300%
- Photoeye Delay Sealing time

#### CYCLE DESCRIPTION

- Top sheet cycle (water proof)
- Top hold down cycle 4 programmable pre-sets

#### REMOTE CONTROL KIT

The LP AS is equipped with a remote control unit that allows the operator to start the wrapping cycle without getting of the forklift. This kit is in addition to the lanyar.

*We pack your business!*  
www.aetnagroup.com

**AETNA GROUP U.S.A. Inc.**

2475B Satellite Blvd. - Duluth - GA 30096-5805 - USA  
phone (+1) 678 473 7896 - toll free (866) 713 7286 - fax (+1) 678 473 1025  
aetnagroup@aetnagroupusa.com

**ROBOPAC SA**

Strada Rovereta, 27 - 47891 Falciano - Repubblica di San Marino  
tel. (+378) 0549 910511 - fax (+378) 0549 908549/905946  
ropobac@aetnagroup.com

**AETNA GROUP SPA - ROBOPAC SISTEMI DIVISION**

S.S. Marecchia, 59 - 47827 Villa Verucchio - Rimini  
tel. (+39) 0541 673411 - fax (+39) 0541 679576  
ropobacsistemi@aetnagroup.com

**AETNA GROUP SPA - DIMAC DIVISION**

Via Rinascita, 25 - 40064 Ozzano Emilia - Bologna  
tel. (+39) 051 791611 - fax (+39) 051 6511013  
dimac@aetnagroup.com

Via Villanova, 305 - 61010 Pietracuta di San Leo - Pesaro Urbino  
tel. (+39) 0541 671131 - fax (+39) 0541 679576  
pentatec@aetnagroup.com

**AETNA GROUP UK LTD**

**Packaging Heights**

Highfield Parc - Oakley - Bedford MK43 7TA - England  
tel. (+44) 0 1234 825050 - fax (+44) 0 1234 827070  
sales@aetna.co.uk

**AETNA GROUP FRANCE S.a.r.l.**

4, Avenue de l'Europe - 69150 Décines - France  
tél. (+33) 04 72 14 54 01 - télécopie (+33) 04 72 14 54 19  
commercial@aetnafr.aetnagroup.com

**AETNA GROUP DEUTSCHLAND GmbH**

Liebigstr. 6 - 71229 Leonberg - Höfingen - Germany  
tel. (+49) 0 7152 33 111 30 - fax (+49) 0 7152 33 111 40  
info@aetna-deutschland.de

**ROBOPAC PERKS MACHINERY (I) PVT. LTD.**

Khyati Industrial Estate, Plot B/7 - unit No. 115/116 - Laxmi Nagar  
Goregaon (W) - Mumbai - 400 900 - India  
tel. (+91) 022 878 2281 - fax (+91) 022 874 6173  
perkengineering@vsnl.com

**AETNAGROUP**  
USA