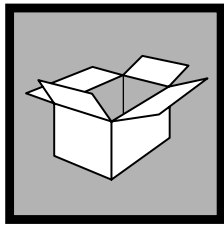
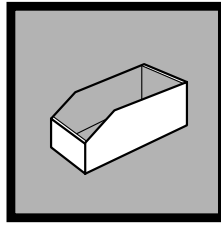


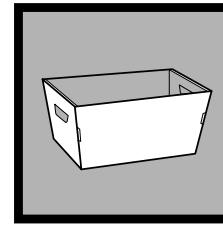
# TABLE OF CONTENTS



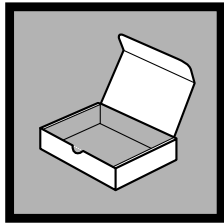
**REGULAR  
SLOTTED  
CONTAINERS**



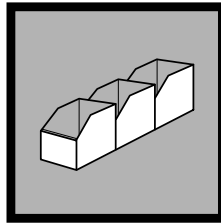
**BIN BOXES**



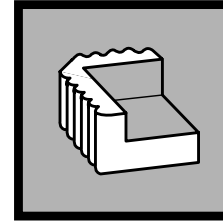
**TOTE TRAYS**



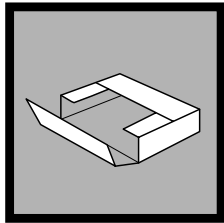
**MAILERS**



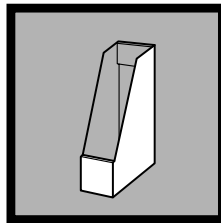
**BIN BOX  
DIVIDERS**



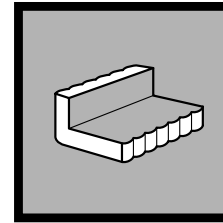
**FOAM  
CORNER  
BLOCKS**



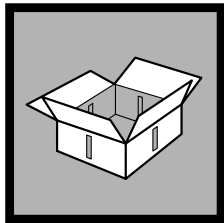
**ONE-PIECE,  
SELF-LOCKING,  
AND  
VARI-DEPTH  
FOLDERS**



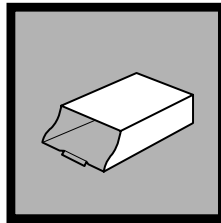
**MAGAZINE-  
LITERATURE  
FILE**



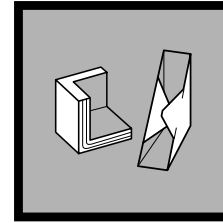
**EDGE  
PROTECTORS**



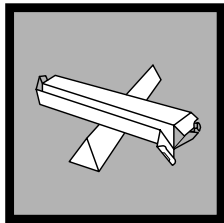
**MEAT PATTIE  
BOX**



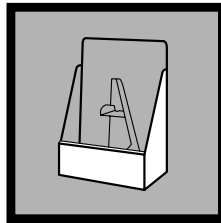
**LITERATURE  
TRAYS**



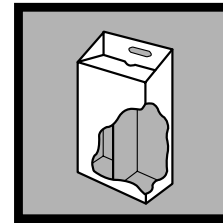
**CORNER  
PADS**



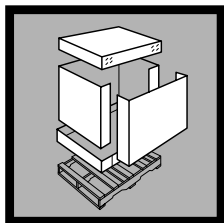
**FIVE PANEL  
FOLDERS AND  
TRIANGULAR  
TUBES**



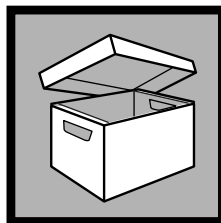
**COUNTER  
DISPLAY  
EASELS**



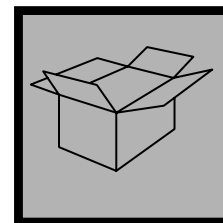
**BOTTLE  
PACKS**



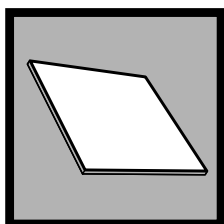
**BULK  
CONTAINERS**



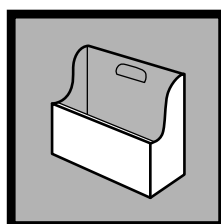
**RECORD  
FILE BOXES**



**SIZE  
INDEX**

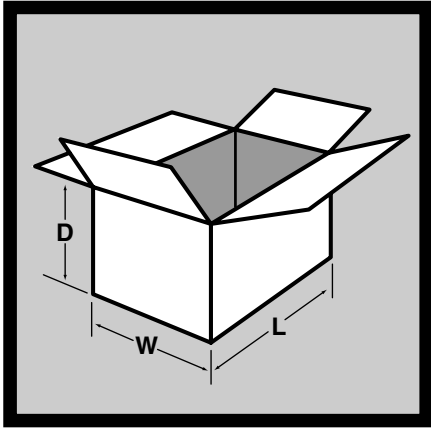


**PADS AND  
SHEETS**



**FILE AID**

# STOCK CARTONS AVAILABLE



## CORRUGATED WHITE REGULAR SLOTTED CONTAINERS

Furnished flat in unitized bundles.

All Regular Slotted Containers (RSC's) are manufactured to meet Rule 41, Item 222 and ASTM Standard Practice D5118.

Boxes are #3 white outside and brown inside.

All dimensions listed are inside dimensions. The first dimension is **Length**, followed by **Width** and then **Depth**.

Inside Dimensions L x W x D	Wt. Per Each	No. Per Bundle	No. Per Full Pallet
16 <sup>3</sup> / <sub>4</sub> x 16 <sup>3</sup> / <sub>4</sub> x 17 <sup>1</sup> / <sub>2</sub> (TW11, 8 Pack Master)	2.004	15	270
4 x 4 x 4	.121	25	4375
4 <sup>1</sup> / <sub>2</sub> x 4 <sup>1</sup> / <sub>2</sub> x 4 <sup>1</sup> / <sub>2</sub>	.150	25	3500
6 x 4 x 4 <sup>1</sup> / <sub>2</sub>	.156	25	3500
6 x 6 x 4	.215	25	2800
6 x 6 x 6	.258	25	2100
7 x 7 x 7	.347	25	1575
8 x 6 x 4	.249	25	2100
8 x 8 x 4	.337	25	1575
8 x 8 x 6	.393	25	1575
8 x 8 x 8	.450	25	1050
9 x 9 x 9	.564	25	1050
10 x 6 x 4	.284	25	2100
10 x 6 x 6	.340	25	1575
10 x 8 x 6	.441	25	1050
10 x 8 x 8	.505	25	1050
10 x 10 x 10	.624	25	700
12 x 10 x 4	.537	25	1050
12 x 12 x 6	.745	25	500
12 x 12 x 12	.993	25	500
12 <sup>1</sup> / <sub>4</sub> x 10 <sup>1</sup> / <sub>2</sub> x 8	.728	25	500
12 <sup>3</sup> / <sub>4</sub> x 9 <sup>9</sup> / <sub>16</sub> x 8 <sup>1</sup> / <sub>16</sub>	.702	25	700
12 <sup>15</sup> / <sub>16</sub> x 8 <sup>1</sup> / <sub>16</sub> x 6 <sup>7</sup> / <sub>8</sub>	.586	25	1050
13 <sup>1</sup> / <sub>2</sub> x 12 <sup>1</sup> / <sub>2</sub> x 10 <sup>1</sup> / <sub>4</sub>	1.018	25	500
13 <sup>1</sup> / <sub>2</sub> x 13 <sup>1</sup> / <sub>2</sub> x 7 <sup>1</sup> / <sub>2</sub>	.972	25	500
13 <sup>3</sup> / <sub>4</sub> x 10 <sup>1</sup> / <sub>4</sub> x 9	.787	25	500
14 x 10 x 10	.854	25	500
13 <sup>15</sup> / <sub>16</sub> x 9 <sup>9</sup> / <sub>16</sub> x 7 <sup>1</sup> / <sub>2</sub>	.684	25	1050
14 x 10 x 4	.600	25	1050
14 x 12 x 6	.828	25	500
14 x 14 x 14	1.381	25	500
15 x 15 x 10	1.318	25	250
16 x 14 x 6	1.057	25	500
16 x 16 x 16	1.789	20	240
16 <sup>1</sup> / <sub>2</sub> x 10 <sup>7</sup> / <sub>8</sub> x 7 <sup>3</sup> / <sub>4</sub>	.904	25	500
18 x 13 x 12	1.362	25	250
18 <sup>5</sup> / <sub>16</sub> x 12 <sup>1</sup> / <sub>4</sub> x 9 <sup>5</sup> / <sub>16</sub>	1.152	25	500
18 <sup>1</sup> / <sub>4</sub> x 16 <sup>1</sup> / <sub>2</sub> x 10 <sup>3</sup> / <sub>8</sub>	1.632	20	240
18 <sup>5</sup> / <sub>8</sub> x 12 <sup>1</sup> / <sub>2</sub> x 7	1.071	25	500
18 <sup>1</sup> / <sub>2</sub> x 18 <sup>1</sup> / <sub>2</sub> x 20 <sup>1</sup> / <sub>2</sub> (4.1 Cu. Ft.)	2.509	15	135

GET QUOTE NOW

Inside Dimensions L x W x D		Wt. Per Each	No. Per Bundle	No. Per Full Pallet
20 x 20 x 15	(3.5 Cu. Ft.)	2.434	15	135
7 x 7 x 12		.470	25	1050
20 x 20 x 18	(4.2 Cu. Ft.)	2.640	10	130
24 x 12 x 12	(2 Cu. Ft.)	1.520	20	240
24 x 17 x 15	(3.6 Cu. Ft.)	2.288	15	270
25 x 25 x 20		3.847	10	130
30 <sup>1</sup> / <sub>2</sub> x 18 <sup>1</sup> / <sub>2</sub> x 18 <sup>1</sup> / <sub>2</sub>		3.115	10	130
14 x 8 x 6		.554	25	1050
14 x 14 x 10		1.185	25	500
10 x 10 x 4		.487	25	1050
11 <sup>1</sup> / <sub>4</sub> x 8 <sup>3</sup> / <sub>4</sub> x 6	(Letterhead)	.529	25	1050
9 <sup>1</sup> / <sub>2</sub> x 9 <sup>1</sup> / <sub>2</sub> x 14 <sup>1</sup> / <sub>4</sub>		.805	25	500
6 <sup>3</sup> / <sub>4</sub> x 6 <sup>3</sup> / <sub>4</sub> x 12 <sup>1</sup> / <sub>8</sub>		.450	25	1050
10 x 10 x 6		.556	25	1050
12 x 6 x 4		.319	25	2100
12 x 10 x 6		.610	25	1050
12 x 12 x 4		.662	25	700
5 x 5 x 3 <sup>1</sup> / <sub>2</sub>		.154	25	3500
6 x 5 x 4 <sup>1</sup> / <sub>2</sub>		.189	25	3500
8 x 6 x 6		.299	25	2100
10 x 6 <sup>3</sup> / <sub>4</sub> x 3 <sup>1</sup> / <sub>4</sub>		.298	25	2100
12 x 4 x 4		.232	25	2625
12 x 6 x 6		.382	25	1575
12 <sup>1</sup> / <sub>4</sub> x 9 <sup>1</sup> / <sub>8</sub> x 5 <sup>7</sup> / <sub>8</sub>		.559	25	1050
6 x 6 x 2		.172	25	3500
12 <sup>3</sup> / <sub>4</sub> x 12 <sup>3</sup> / <sub>4</sub> x 13 <sup>1</sup> / <sub>2</sub>	(TW6, 8 Pack Master)	1.209	25	500
8 x 4 x 4		.175	25	3500
10 x 4 x 4		.203	25	3150
17 <sup>1</sup> / <sub>2</sub> x 11 <sup>1</sup> / <sub>2</sub> x 11 <sup>1</sup> / <sub>2</sub>	(Letterhead)	1.182	25	500
17 <sup>1</sup> / <sub>4</sub> x 13 x 4 <sup>7</sup> / <sub>8</sub>		.956	25	500
26 x 17 x 5		1.660	20	240
10 x 10 x 5		.523	25	1050
5 x 5 x 5		.181	25	3500
12 x 8 x 6		.489	25	1050
13 x 13 x 10		1.027	25	500
8 <sup>3</sup> / <sub>4</sub> x 8 <sup>3</sup> / <sub>4</sub> x 9 <sup>1</sup> / <sub>2</sub>	(TW2, 8 Pack Master)	.558	25	1050
25 <sup>1</sup> / <sub>8</sub> x 8 <sup>3</sup> / <sub>8</sub> x 17 <sup>1</sup> / <sub>2</sub>	(TW11, 6 Pack Master)	1.533	25	250
12 x 8 x 8		.558	25	1050
16 x 16 x 10		1.458	20	240
18 <sup>1</sup> / <sub>2</sub> x 18 <sup>1</sup> / <sub>2</sub> x 12		1.968	15	270
9 x 6 x 5 <sup>1</sup> / <sub>2</sub>		.307	25	2100
10 x 10 x 8		.626	25	1050
11 <sup>1</sup> / <sub>4</sub> x 8 <sup>3</sup> / <sub>4</sub> x 4	(Letterhead)	.458	25	1050
11 <sup>5</sup> / <sub>8</sub> x 7 x 6 <sup>5</sup> / <sub>16</sub>		.437	25	1050
12 x 12 x 9		.871	25	500
23 <sup>1</sup> / <sub>2</sub> x 16 x 14	(3.1 Cu. Ft.)	2.073	15	270
12 x 10 x 8		.687	25	1050
12 x 12 x 8		.828	25	500
12 x 12 x 10		.910	25	500
14 x 10 x 6		.685	25	1050
14 x 14 x 6		.988	25	500
16 x 8 x 8		.687	25	500
16 x 10 x 10		.923	25	500
18 x 18 x 12		1.884	15	270
18 x 18 x 18		2.255	15	135
12 x 8 x 4		.420	25	1400
7 x 5 x 3		.174	25	3500
7 x 5 x 5		.216	25	2800
7 x 7 x 5		.298	25	2100
9 x 6 x 4		.268	25	2100
9 x 6 x 6		.320	25	2100
9 x 9 x 6		.472	25	1575
14 x 14 x 12		1.283	25	500
15 x 8 x 7		.619	25	1050

**GET QUOTE NOW**

Inside Dimensions L x W x D	Wt. Per Each	No. Per Bundle	No. Per Full Pallet
15 x 15 x 20	1.840	20	240
19 x 8 x 8	.771	25	500
20 x 20 x 4	1.675	20	240
24 x 18 x 18 (4.5 Cu. Ft.)	2.635	15	135
18 x 18 x 8	1.637	20	240
13 x 10 x 2	.485	25	1050
16 <sup>3</sup> / <sub>4</sub> x 8 <sup>3</sup> / <sub>8</sub> x 17 <sup>1</sup> / <sub>2</sub> (TW11, 4 Pack Master)	1.156	25	500
12 <sup>3</sup> / <sub>4</sub> x 6 <sup>3</sup> / <sub>8</sub> x 13 <sup>1</sup> / <sub>2</sub> (TW6, 4 Pack Master)	.665	25	700
4 x 4 x 5	.135	25	4200
4 x 4 x 9	.194	25	2625
20 x 16 x 12	1.763	20	240
8 <sup>1</sup> / <sub>2</sub> x 8 <sup>1</sup> / <sub>2</sub> x 8 <sup>1</sup> / <sub>2</sub>	.505	25	1050
5 x 5 x 10	.272	25	2100
16 x 12 <sup>3</sup> / <sub>4</sub> x 12 <sup>3</sup> / <sub>4</sub> (1.5 Cu. Ft.)	1.289	25	500
15 x 10 x 5	.668	25	700
7 x 6 x 4	.232	25	2625
7 x 6 x 6	.279	25	2100
7 x 7 x 4	.274	25	2100
8 x 5 x 5	.234	25	2800
4 x 4 x 12	.238	25	2625
9 x 4 x 4	.190	25	3150
10 x 8 x 4	.380	25	1400
11 x 6 x 4	.302	25	2100
11 x 8 x 6	.465	25	1050
11 <sup>1</sup> / <sub>4</sub> x 8 <sup>3</sup> / <sub>4</sub> x 8 (Letterhead)	.601	25	1050
12 x 9 x 3	.440	25	1400
12 x 9 x 7	.586	25	1050
12 x 9 x 9	.659	25	1050
14 x 6 x 6	.424	25	1400
6 x 4 x 3 <sup>1</sup> / <sub>2</sub>	.137	25	4200
14 x 14 x 8	1.086	25	500
15 x 15 x 15	1.579	20	240
18 x 18 x 6	1.513	25	250
24 x 24 x 24 (8 Cu. Ft.)	3.931	10	130
20 x 20 x 20 (4.6 Cu. Ft.)	2.781	10	130
12 x 9 x 6	.550	25	1050
22 x 14 x 14	1.766	15	270
4 x 4 x 18	.304	25	1750
6 x 6 x 3	.193	25	2800
6 x 6 x 5	.237	25	2800
30 x 18 x 16	2.807	10	130
26 x 16 x 14	2.195	15	270
8 x 5 x 4	.212	25	2625
12 x 5 x 4	.275	25	2100
17 <sup>3</sup> / <sub>4</sub> x 11 <sup>1</sup> / <sub>2</sub> x 12 <sup>1</sup> / <sub>2</sub> (Letterhead with extra scores at 6"-8"-10")	1.243	25	500
8 x 8 x 3	.310	25	2100
8 x 8 x 5	.366	25	1575
24 x 16 x 13	2.027	15	270
12 x 12 x 5	.706	25	700
12 x 12 x 17 <sup>1</sup> / <sub>2</sub>	1.250	25	500
9 x 6 x 2	.215	25	2625
9 x 7 x 4	.312	25	2100
12 x 12 x 30	1.729	20	240
13 x 10 x 4	.561	25	1050
9 x 8 x 6	.418	25	1575
9 x 9 x 4	.410	25	1575
13 <sup>7</sup> / <sub>8</sub> x 11 <sup>1</sup> / <sub>4</sub> x 10 <sup>1</sup> / <sub>4</sub> (13 <sup>7</sup> / <sub>8</sub> x 11 Snapout and Continuous Forms)	.933	25	500
14 x 12 x 4	.738	25	500
14 x 12 x 9 <sup>1</sup> / <sub>8</sub>	.972	25	500
10 x 6 x 5	.313	25	2100
10 x 7 x 4	.330	25	2100
10 x 7 x 5	.359	25	1575
10 x 8 x 5	.412	25	1575
10 x 8 x 7	.473	25	1575

**GET QUOTE NOW**

Inside Dimensions L x W x D	Wt. Per Each	No. Per Bundle	No. Per Full Pallet
12 <sup>1</sup> / <sub>4</sub> x 9 <sup>1</sup> / <sub>4</sub> x 15	.928	25	500
14 x 14 x 18	1.572	20	240
14 <sup>1</sup> / <sub>2</sub> x 13 x 4 <sup>1</sup> / <sub>2</sub>	.852	25	500
12 <sup>3</sup> / <sub>8</sub> x 12 <sup>3</sup> / <sub>8</sub> x 4 <sup>1</sup> / <sub>2</sub>	.721	25	500
15 x 15 x 12	1.424	25	250
36 x 8 x 8	1.237	20	360
24 x 12 x 8	1.272	20	240
10 <sup>1</sup> / <sub>2</sub> x 10 <sup>1</sup> / <sub>2</sub> x 7 <sup>1</sup> / <sub>2</sub>	.656	25	700
16 x 11 x 10	1.005	25	500
11 x 11 x 11	.835	25	500
20 x 14 x 10	1.436	25	250
12 x 9 <sup>1</sup> / <sub>2</sub> x 4	.508	25	1050
12 x 9 <sup>1</sup> / <sub>2</sub> x 8	.654	25	1050
12 x 9 <sup>1</sup> / <sub>2</sub> x 12	.801	25	500
13 <sup>3</sup> / <sub>8</sub> x 13 <sup>3</sup> / <sub>8</sub> x 12	1.193	25	500
12 x 10 x 10	.763	25	500
17 <sup>3</sup> / <sub>4</sub> x 14 <sup>1</sup> / <sub>2</sub> x 12 <sup>1</sup> / <sub>2</sub> (Letterhead)	1.526	25	250
12 x 12 x 3	.623	25	700
18 x 12 x 6	.956	25	500
14 x 6 x 4	.355	25	1750
14 x 7 x 7	.529	25	1050
14 x 8 x 8	.630	25	1050
14 x 9 x 9	.738	25	500
14 x 10 x 8	.769	25	750
14 x 11 x 3	.608	25	1050
18 x 18 x 10	1.760	15	270
14 x 14 x 7	1.038	25	500
15 x 7 x 5	.477	25	1400
15 x 11 x 7	.830	25	500
18 x 18 x 15	2.070	15	270
16 x 5 x 5	.373	25	1400
16 x 7 x 7	.578	25	750
16 x 10 x 6	.741	25	750
16 x 10 x 8	.832	25	500
16 x 12 x 12	1.188	25	500
16 x 16 x 6	1.233	25	500
16 x 16 x 8	1.346	25	250
16 x 16 x 12	1.564	20	240
18 x 6 x 6	.520	25	750
18 x 9 x 9	.864	25	500
18 x 10 x 10	.993	25	500
18 x 12 x 8	1.059	25	500
18 x 18 x 4	1.389	25	250
20 x 20 x 16	2.499	10	130
33 x 18 x 10	2.442	10	260
20 x 8 x 8	.799	25	500
19 x 6 x 4	.451	25	1000
19 x 7 x 7	.654	25	750
20 x 4 x 4	.353	25	1750
20 x 20 x 40	4.076	5	135
21 x 12 x 12	1.392	15	270
16 x 16 x 4	1.121	25	500
20 x 10 x 8	.958	25	500
20 x 10 x 10	1.062	25	500
23 x 13 x 3 <sup>1</sup> / <sub>2</sub>	1.049	20	360
20 x 12 x 12	1.352	25	500
24 x 8 x 6	.799	25	500
20 x 15 x 15	1.836	20	240
20 x 20 x 10	2.087	15	270
22 x 10 x 9	1.076	25	500
22 x 22 x 18	3.052	10	130
17 <sup>1</sup> / <sub>4</sub> x 17 <sup>1</sup> / <sub>4</sub> x 11	1.699	15	270
22 x 22 x 24	3.449	10	130
20 <sup>3</sup> / <sub>16</sub> x 13 <sup>7</sup> / <sub>16</sub> x 7 <sup>3</sup> / <sub>4</sub>	1.250	25	500

**GET QUOTE NOW**

Inside Dimensions L x W x D	Wt. Per Each	No. Per Bundle	No. Per Full Pallet
24 x 6 x 6	.648	25	500
24 x 8 x 8	.910	25	500
24 x 10 x 8	1.084	25	500
24 x 12 x 6	1.148	20	360
24 x 24 x 12	2.943	10	130
24 x 24 x 18 <sup>1</sup> / <sub>2</sub>	3.567	10	130
24 x 24 x 36 (12 Cu. Ft.)	4.895	5	135
27 x 14 x 9	1.654	20	240
27 x 27 x 27	4.961	5	135
28 x 6 x 6	.732	25	500
29 x 17 x 9	2.085	15	270
29 x 17 x 15	2.570	15	135
32 x 6 x 6	.808	25	500
24 x 14 x 4	1.206	20	360
33 x 14 x 14	2.272	15	270
36 x 12 x 10	1.832	15	270
24 x 13 <sup>1</sup> / <sub>8</sub> x 12 <sup>3</sup> / <sub>4</sub>	1.688	15	270
24 x 14 x 20	2.257	15	135
30 x 14 x 3	1.308	20	360
40 x 8 x 8	1.348	20	360
30 x 24 x 10	3.122	10	130
24 x 16 x 6	1.550	20	240
24 x 18 x 10	2.051	15	270
10 x 7 x 7	.420	25	1575
24 x 18 x 12	2.194	15	270
4 x 4 x 8	.179	25	3500
24 x 24 x 7	2.641	10	130
25 x 17 x 15	2.337	15	270
25 <sup>1</sup> / <sub>2</sub> x 13 x 13	1.753	20	240
11 <sup>1</sup> / <sub>4</sub> x 8 <sup>3</sup> / <sub>4</sub> x 10 (Letterhead)	.671	25	1050
6 <sup>3</sup> / <sub>4</sub> x 6 <sup>3</sup> / <sub>4</sub> x 7 <sup>3</sup> / <sub>4</sub>	.347	25	1575
33 x 18 x 5	2.023	10	260
12 x 12 x 15	1.145	25	500
13 x 13 x 13	1.191	25	500
18 x 12 x 12	1.268	25	500
30 x 14 x 5	1.469	20	240
17 x 17 x 17	2.014	15	270
17 <sup>1</sup> / <sub>2</sub> x 11 <sup>1</sup> / <sub>2</sub> x 8 <sup>3</sup> / <sub>4</sub> (Letterhead)	1.038	25	500
17 <sup>1</sup> / <sub>2</sub> x 11 <sup>1</sup> / <sub>2</sub> x 14 <sup>1</sup> / <sub>4</sub> (Letterhead)	1.316	25	500
15 x 12 x 8	.955	25	500
24 x 16 x 24	2.787	10	130
20 x 14 x 12 (#6 <sup>3</sup> / <sub>4</sub> Envelope)	1.554	25	250
15 x 12 x 10	1.050	25	500
18 x 12 <sup>3</sup> / <sub>4</sub> x 10	1.231	25	500
30 x 14 x 7	1.626	15	270
32 x 17 x 16	2.776	10	130
20 x 15 x 9	1.476	20	240
36 x 21 x 20	3.984	5	135
22 x 14 x 12	1.642	15	270
24 <sup>3</sup> / <sub>8</sub> x 16 <sup>5</sup> / <sub>8</sub> x 12 <sup>1</sup> / <sub>8</sub>	1.910	15	270
18 <sup>1</sup> / <sub>2</sub> x 11 <sup>1</sup> / <sub>2</sub> x 3	.772	25	500
15 x 12 x 4	.767	25	750
4 x 4 x 36	.546	25	1050
36 x 12 x 16	2.309	10	260
13 <sup>5</sup> / <sub>8</sub> x 7 x 7 <sup>5</sup> / <sub>8</sub>	.530	25	1050
18 x 16 x 12	1.669	15	270
24 x 14 x 14 <sup>3</sup> / <sub>8</sub>	1.884	15	270
6 <sup>5</sup> / <sub>8</sub> x 4 <sup>1</sup> / <sub>4</sub> x 10 <sup>1</sup> / <sub>4</sub>	.286	25	2100
11 <sup>1</sup> / <sub>4</sub> x 8 <sup>3</sup> / <sub>4</sub> x 12 (Letterhead)	.741	25	500
13 x 8 x 8	.588	25	1050
18 x 18 x 16 (3.02 Cu. Ft.)	2.131	15	270
25 x 12 x 10	1.437	25	250
12 <sup>7</sup> / <sub>8</sub> x 8 <sup>9</sup> / <sub>16</sub> x 5	.520	25	1050
23 x 23 x 20 (6.12 Cu. Ft.)	3.361	10	130

**GET QUOTE NOW**

Inside Dimensions L x W x D	Wt. Per Each	No. Per Bundle	No. Per Full Pallet
21 <sup>1</sup> / <sub>2</sub> x 10 <sup>5</sup> / <sub>8</sub> x 15 <sup>1</sup> / <sub>2</sub>	1.479	20	240
30 x 17 x 3	1.631	20	240
12 x 12 x 11	.950	25	500
30 x 30 x 30	6.117	5	135
20 x 20 x 36	3.808	10	130
15 x 15 x 5	1.058	25	500
9 x 5 x 5	.251	25	2625
12 x 9 x 4	.477	25	1400
14 x 14 x 9	1.137	25	500
20 x 12 x 6	1.018	25	500
16 <sup>1</sup> / <sub>2</sub> x 9 x 9	.817	25	500
10 x 5 x 5	.270	25	2625
16 x 9 x 3	.538	25	1000
16 x 16 x 36	2.835	10	130
28 x 16 x 3 <sup>1</sup> / <sub>2</sub>	1.505	15	270
28 x 16 x 5	1.623	15	270
28 x 16 x 7	1.780	15	270
28 x 16 x 9	1.924	15	270
11 <sup>1</sup> / <sub>4</sub> x 8 <sup>3</sup> / <sub>4</sub> x 4 <sup>3</sup> / <sub>4</sub> (Letterhead)	.484	25	1050
11 <sup>3</sup> / <sub>4</sub> x 9 <sup>1</sup> / <sub>4</sub> x 7 <sup>1</sup> / <sub>8</sub>	.598	25	1050
13 x 8 <sup>5</sup> / <sub>8</sub> x 9 <sup>7</sup> / <sub>8</sub>	.695	25	700
4 x 4 x 20	.329	25	1750
4 x 4 x 24	.385	25	1400
4 x 4 x 28	.439	25	1400
4 x 4 x 32	.493	25	1050
4 x 4 x 40	.601	25	1050
4 x 4 x 48	.710	25	700
5 x 5 x 4	.163	25	3500
6 x 4 x 4	.147	25	3500
6 x 5 x 5	.199	25	2800
22 x 18 x 16	2.423	10	130
6 x 6 x 40	1.040	25	700
6 x 6 x 48	1.221	25	500
7 x 7 x 6	.322	25	1575
8 x 6 x 3	.226	25	2100
8 x 6 x 5	.275	25	2100
9 x 7 x 5	.339	25	1400
8 x 8 x 17	.701	25	1050
8 <sup>1</sup> / <sub>2</sub> x 6 <sup>5</sup> / <sub>8</sub> x 10 <sup>1</sup> / <sub>4</sub>	.451	25	1050
30 x 24 x 12 (Doublewall)	5.524	5	80
8 <sup>3</sup> / <sub>4</sub> x 8 x 10 <sup>1</sup> / <sub>4</sub> (8 <sup>1</sup> / <sub>2</sub> x 7 <sup>3</sup> / <sub>4</sub> Snapout and Continuous Forms)	.535	25	1050
9 x 4 x 3	.166	25	3150
9 x 5 x 3	.202	25	2625
9 x 6 x 5	.294	25	2100
9 x 7 x 7	.395	25	1575
9 x 8 x 4	.358	25	1400
9 x 9 x 7	.503	25	1050
12 x 9 x 5	.469	25	1050
10 x 9 x 9	.597	25	700
10 x 10 x 3	.454	25	1050
10 x 10 x 7	.592	25	1050
10 x 10 x 9	.662	25	700
10 x 10 x 15	.867	25	500
10 <sup>1</sup> / <sub>2</sub> x 7 <sup>3</sup> / <sub>4</sub> x 6 <sup>7</sup> / <sub>16</sub>	.454	25	1400
10 <sup>1</sup> / <sub>2</sub> x 10 <sup>1</sup> / <sub>2</sub> x 10 <sup>1</sup> / <sub>2</sub>	.763	25	500
11 x 6 x 5 <sup>1</sup> / <sub>2</sub>	.346	25	1400
11 x 7 x 7	.443	25	1400
11 <sup>1</sup> / <sub>4</sub> x 8 <sup>3</sup> / <sub>4</sub> x 11 (Letterhead)	.706	25	700
11 x 9 x 9	.626	25	1050
11 <sup>1</sup> / <sub>4</sub> x 8 <sup>3</sup> / <sub>4</sub> x 12 (Letterhead with extra scores at 6"-8"-10")	.741	25	500
11 <sup>1</sup> / <sub>4</sub> x 10 <sup>1</sup> / <sub>8</sub> x 10 <sup>1</sup> / <sub>4</sub> (9 <sup>7</sup> / <sub>8</sub> x 11 Snapout and Continuous Forms)	.756	25	500
11 x 8 x 8	.480	25	700
12 x 6 x 5	.351	25	1750
12 x 8 <sup>3</sup> / <sub>4</sub> x 10 <sup>1</sup> / <sub>4</sub> (11 <sup>3</sup> / <sub>4</sub> x 8 <sup>1</sup> / <sub>2</sub> Snapout and Continuous Forms)	.686	25	700

GET QUOTE NOW

Inside Dimensions L x W x D	Wt. Per Each	No. Per Bundle	No. Per Full Pallet
12 x 10 x 3	.497	25	1050
12 x 11 x 4	.597	25	700
12 x 12 x 2	.580	25	1050
12 x 12 x 20	1.355	20	240
12 x 12 x 25	1.565	20	240
12 x 12 x 40	2.135	15	270
12 x 12 x 48	2.540	15	270
12 <sup>1</sup> / <sub>4</sub> x 9 <sup>1</sup> / <sub>4</sub> x 6 <sup>1</sup> / <sub>4</sub>	.581	25	1050
12 <sup>1</sup> / <sub>4</sub> x 9 <sup>1</sup> / <sub>4</sub> x 12 <sup>1</sup> / <sub>2</sub>	.810	25	500
12 <sup>1</sup> / <sub>2</sub> x 7 x 7	.480	25	1050
12 <sup>1</sup> / <sub>2</sub> x 12 <sup>1</sup> / <sub>2</sub> x 8 (Record Size)	.884	25	500
12 <sup>1</sup> / <sub>2</sub> x 12 <sup>1</sup> / <sub>2</sub> x 10 <sup>1</sup> / <sub>2</sub> (Record Size)	.990	25	500
12 x 9 <sup>1</sup> / <sub>2</sub> x 16	.975	25	500
13 x 9 x 5 <sup>1</sup> / <sub>2</sub>	.555	25	1050
13 x 9 x 7	.612	25	1050
13 x 9 x 8 <sup>1</sup> / <sub>2</sub>	.668	25	700
13 x 9 x 11	.765	25	500
13 x 10 <sup>1</sup> / <sub>4</sub> x 10	.814	25	500
13 x 13 x 4 <sup>1</sup> / <sub>2</sub>	.837	25	500
13 <sup>1</sup> / <sub>2</sub> x 7 <sup>1</sup> / <sub>2</sub> x 13 <sup>1</sup> / <sub>2</sub>	.768	25	500
13 <sup>1</sup> / <sub>2</sub> x 8 <sup>1</sup> / <sub>2</sub> x 10 <sup>1</sup> / <sub>2</sub>	.726	25	500
14 x 10 x 12	.935	25	500
14 x 12 x 12	1.103	25	500
14 x 14 x 5	.939	25	500
14 x 14 x 24	1.865	20	240
14 <sup>1</sup> / <sub>8</sub> x 11 <sup>3</sup> / <sub>4</sub> x 6 <sup>5</sup> / <sub>16</sub>	.829	25	500
14 <sup>1</sup> / <sub>2</sub> x 9 <sup>1</sup> / <sub>2</sub> x 12	.918	25	500
15 x 9 x 8	.728	25	700
15 x 9 <sup>1</sup> / <sub>4</sub> x 6	.660	25	1050
15 x 12 x 12	1.146	25	500
17 <sup>3</sup> / <sub>4</sub> x 14 <sup>1</sup> / <sub>2</sub> x 10 <sup>3</sup> / <sub>4</sub> (Letterhead)	1.461	25	250
24 x 24 x 6	2.561	10	130
15 x 15 x 6	1.107	25	375
15 x 15 x 30	2.301	15	135
25 x 19 x 5	1.884	15	240
25 x 19 x 7	2.048	15	240
25 <sup>5</sup> / <sub>8</sub> x 25 <sup>5</sup> / <sub>8</sub> x 25 <sup>1</sup> / <sub>4</sub> (Max. U.P.S.)	4.607	5	135
15 <sup>1</sup> / <sub>8</sub> x 8 <sup>3</sup> / <sub>4</sub> x 10 <sup>1</sup> / <sub>4</sub> (14 <sup>7</sup> / <sub>8</sub> x 8 <sup>1</sup> / <sub>2</sub> Snapout and Continuous Forms)	.789	25	500
15 <sup>1</sup> / <sub>8</sub> x 11 <sup>1</sup> / <sub>4</sub> x 10 <sup>1</sup> / <sub>4</sub> (14 <sup>7</sup> / <sub>8</sub> x 11 Snapout and Continuous Forms)	1.005	25	500
15 <sup>1</sup> / <sub>2</sub> x 14 <sup>1</sup> / <sub>2</sub> x 10 <sup>1</sup> / <sub>2</sub>	1.318	20	240
15 <sup>3</sup> / <sub>4</sub> x 10 <sup>3</sup> / <sub>4</sub> x 6 <sup>3</sup> / <sub>8</sub>	.806	25	500
15 <sup>3</sup> / <sub>4</sub> x 10 <sup>3</sup> / <sub>4</sub> x 12 <sup>5</sup> / <sub>8</sub>	1.120	25	500
16 x 6 x 6	.478	25	1000
16 x 8 x 6	.602	25	750
16 x 11 x 9	.957	25	500
16 x 12 x 4	.795	25	500
16 x 12 x 6	.892	25	500
16 x 12 x 8	.991	25	500
16 x 12 x 10	1.089	25	500
16 x 14 x 4	.952	25	500
22 x 22 x 12	2.591	10	130
16 x 14 x 12	1.368	20	240
16 x 16 x 19	1.958	15	270
16 <sup>1</sup> / <sub>4</sub> x 12 <sup>1</sup> / <sub>4</sub> x 11 <sup>3</sup> / <sub>16</sub>	1.178	25	500
16 <sup>5</sup> / <sub>8</sub> x 14 <sup>1</sup> / <sub>4</sub> x 12 <sup>1</sup> / <sub>8</sub>	1.430	20	240
16 <sup>5</sup> / <sub>8</sub> x 14 <sup>1</sup> / <sub>4</sub> x 24	2.066	15	270
17 x 9 x 9	.833	25	500
17 x 14 x 9	1.253	20	240
17 <sup>1</sup> / <sub>4</sub> x 17 <sup>1</sup> / <sub>4</sub> x 8	1.520	20	240
21 <sup>3</sup> / <sub>8</sub> x 15 <sup>5</sup> / <sub>8</sub> x 18 <sup>5</sup> / <sub>8</sub>	2.215	15	135
17 <sup>1</sup> / <sub>4</sub> x 17 <sup>1</sup> / <sub>4</sub> x 14 <sup>1</sup> / <sub>2</sub>	1.910	15	270
17 <sup>1</sup> / <sub>2</sub> x 11 <sup>1</sup> / <sub>2</sub> x 10 <sup>3</sup> / <sub>4</sub> (Letterhead)	1.171	25	500
18 x 8 x 6	.652	25	750
18 x 10 x 6	.797	25	500

[GET QUOTE NOW](#)

Inside Dimensions L x W x D	Wt. Per Each	No. Per Bundle	No. Per Full Pallet
18 x 12 x 5	.904	25	500
18 x 12 x 9	1.113	25	500
18 x 12 x 10	1.168	25	500
18 x 13 x 11	1.309	25	250
18 x 14 x 4	1.016	25	500
18 x 14 x 6	1.125	25	375
18 x 14 x 8	1.238	25	250
18 x 14 x 10	1.350	25	250
18 x 14 x 12	1.463	25	250
18 x 16 x 4	1.194	20	360
18 x 16 x 6	1.313	20	240
18 x 16 x 10	1.550	20	240
18 <sup>1</sup> / <sub>2</sub> x 18 <sup>1</sup> / <sub>2</sub> x 10 <sup>1</sup> / <sub>2</sub>	1.875	15	270
18 <sup>1</sup> / <sub>2</sub> x 18 <sup>1</sup> / <sub>2</sub> x 16 <sup>1</sup> / <sub>2</sub>	2.257	15	135
18 <sup>1</sup> / <sub>2</sub> x 18 <sup>1</sup> / <sub>2</sub> x 30 <sup>1</sup> / <sub>2</sub>	3.083	10	130
19 x 12 x 3	.825	25	500
19 x 12 <sup>1</sup> / <sub>2</sub> x 13 <sup>3</sup> / <sub>4</sub> (#6 <sup>3</sup> / <sub>4</sub> Envelope)	1.454	25	250
19 x 14 <sup>1</sup> / <sub>4</sub> x 12	1.532	25	250
19 x 15 x 6	1.260	25	375
19 <sup>3</sup> / <sub>4</sub> x 15 x 13	1.703	20	240
20 x 5 x 5	.454	25	1400
20 x 6 x 6	.563	25	500
20 x 12 x 8	1.127	25	375
20 x 13 x 10	1.365	25	250
20 x 14 x 6	1.198	25	375
20 x 14 x 14	1.673	20	240
20 x 16 x 14	1.887	20	240
20 x 20 x 6	1.816	20	240
20 x 20 x 7	1.881	20	240
20 x 20 x 12	2.228	15	135
20 x 20 x 14	2.369	15	135
20 x 20 x 25 (Max. U.S. Postal Service)	3.078	10	130
21 x 14 x 14	1.720	15	270
21 x 18 x 8 <sup>1</sup> / <sub>2</sub> (with extra scores at 2 <sup>1</sup> / <sub>2</sub> "-4 <sup>1</sup> / <sub>2</sub> "-6 <sup>1</sup> / <sub>2</sub> " )	1.803	15	270
21 <sup>3</sup> / <sub>8</sub> x 15 <sup>5</sup> / <sub>8</sub> x 6 <sup>5</sup> / <sub>8</sub>	1.450	15	270
21 <sup>3</sup> / <sub>8</sub> x 15 <sup>5</sup> / <sub>8</sub> x 9 <sup>1</sup> / <sub>2</sub>	1.628	15	270
21 <sup>3</sup> / <sub>8</sub> x 15 <sup>5</sup> / <sub>8</sub> x 12 <sup>5</sup> / <sub>8</sub>	1.832	15	270
21 <sup>3</sup> / <sub>8</sub> x 15 <sup>5</sup> / <sub>8</sub> x 15 <sup>3</sup> / <sub>4</sub>	2.028	15	270
21 <sup>3</sup> / <sub>8</sub> x 15 <sup>5</sup> / <sub>8</sub> x 30 <sup>5</sup> / <sub>8</sub>	2.920	10	130
21 <sup>3</sup> / <sub>4</sub> x 12 <sup>1</sup> / <sub>2</sub> x 9 <sup>7</sup> / <sub>8</sub> (#10 Envelope)	1.353	20	240
22 x 6 x 6	.605	25	500
22 x 10 x 4	.797	25	500
22 x 13 <sup>1</sup> / <sub>2</sub> x 10 <sup>3</sup> / <sub>4</sub>	1.512	20	240
22 x 17 x 12	1.979	15	270
22 x 22 x 8	2.294	15	270
22 x 22 x 10	2.450	15	270
22 x 22 x 16	2.895	10	130
22 x 22 x 22	3.308	10	130
23 x 8 x 6	.774	25	500
23 x 12 x 3 <sup>1</sup> / <sub>2</sub>	.959	25	500
23 x 14 x 10	1.555	20	240
13 x 13 x 7 <sup>1</sup> / <sub>2</sub>	.916	25	500
11 x 11 x 9	.762	25	500
9 x 9 x 5	.440	25	1575
31 x 24 x 19	4.034	5	135
32 x 13 x 6	1.511	15	270
23 x 16 x 19	2.386	10	130
23 <sup>1</sup> / <sub>2</sub> x 14 x 4	1.195	25	250
23 <sup>1</sup> / <sub>2</sub> x 14 x 6	1.319	20	360
24 x 10 x 6	.965	25	500
24 x 10 x 10	1.203	20	360
24 x 12 x 11	1.458	20	240
24 x 14 x 8	1.471	20	240
24 x 14 x 18	2.129	15	270

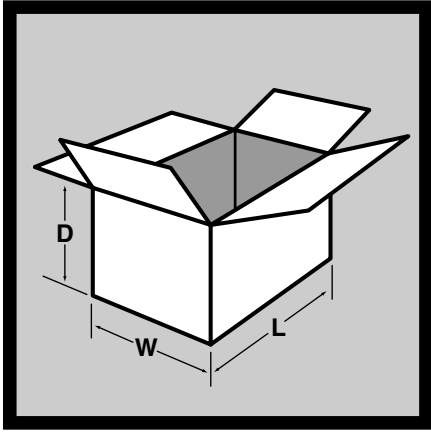
**GET QUOTE NOW**

Inside Dimensions L x W x D	Wt. Per Each	No. Per Bundle	No. Per Full Pallet
24 x 16 x 4	1.409	20	240
24 x 17 x 3	1.445	20	240
24 x 20 x 12	2.458	15	135
24 x 24 x 16	3.286	10	130
24 x 24 x 20	3.616	10	130
24 x 24 x 30	4.412	5	135
24 x 24 x 48	5.881	5	135
25 x 19 x 10 <sup>1</sup> / <sub>2</sub>	2.261	15	135
26 x 12 x 12	1.602	20	240
26 x 15 x 5	1.480	15	270
26 x 15 x 7	1.583	15	270
26 x 16 x 19	2.553	10	130
26 x 26 x 20	4.081	5	135
27 x 15 x 6 <sup>1</sup> / <sub>2</sub>	1.588	15	270
27 x 23 x 8 <sup>1</sup> / <sub>2</sub> (with extra scores at 2 <sup>1</sup> / <sub>2</sub> "-4 <sup>1</sup> / <sub>2</sub> "-6 <sup>1</sup> / <sub>2</sub> ")	2.702	10	130
28 x 16 x 12	2.146	10	260
28 x 16 x 14	2.302	10	260
28 x 28 x 12	3.832	5	135
28 x 28 x 20	4.587	5	135
28 x 28 x 28	5.341	5	135
29 x 17 x 3	1.615	15	270
29 x 17 x 7	1.929	15	270
29 x 17 x 12	2.328	10	130
30 x 15 x 15	2.357	10	130
30 x 24 x 12	3.339	10	130
31 x 16 x 9	2.029	10	260
31 x 24 x 8 <sup>1</sup> / <sub>2</sub> (with extra scores at 2 <sup>1</sup> / <sub>2</sub> "-4 <sup>1</sup> / <sub>2</sub> "-6 <sup>1</sup> / <sub>2</sub> ")	3.070	10	130
31 <sup>3</sup> / <sub>8</sub> x 21 <sup>3</sup> / <sub>8</sub> x 12 <sup>5</sup> / <sub>8</sub>	3.080	10	130
14 x 12 x 46 (Golf Club)	2.704	15	270
32 x 8 x 8	1.138	20	360
32 x 15 <sup>5</sup> / <sub>8</sub> x 12 <sup>5</sup> / <sub>8</sub>	2.320	10	130
10 x 5 x 83 (FOL) (Ski)	2.563	15	270
32 x 24 x 4	2.692	10	130
36 x 6 x 6	.929	20	480
36 x 12 x 4	1.348	15	405
36 x 16 x 7	2.069	10	260
36 x 20 x 9	2.786	10	130
36 x 20 x 15	3.357	10	130
36 x 21 x 12	3.226	10	130
37 x 9 x 9	1.447	20	240
39 x 20 x 36	5.634	5	135
42 x 11 x 6	1.577	15	270
42 x 11 x 10	1.935	10	260
44 x 12 x 12	2.323	10	260
46 x 20 x 12 (with extra score at 9")	3.748	10	130
36 x 16 x 5	1.897	10	260
16 x 16 x 16 (Doublewall)	2.949	10	160
18 x 18 x 18 (Doublewall)	3.706	10	80
20 x 20 x 20 (Doublewall)	4.550	5	80
24 x 12 x 12 (Doublewall)	2.507	10	160
24 x 18 x 18 (Doublewall)	4.312	5	80
24 x 24 x 24 (Doublewall)	6.504	5	80
30 x 30 x 30 (Doublewall)	10.076	5	80
15 x 15 x 15 (Doublewall)	2.595	10	160
12 x 12 x 12 (Doublewall)	1.685	15	300
20 x 12 x 12 (Doublewall)	2.232	10	160
22 x 14 x 12 (Doublewall)	2.708	10	160
24 x 24 x 36 (Doublewall)	8.109	5	80
30 <sup>1</sup> / <sub>2</sub> x 18 <sup>1</sup> / <sub>2</sub> x 18 <sup>1</sup> / <sub>2</sub> (Doublewall)	5.150	5	80
17 x 14 x 5	1.039	25	500
12 x 12 x 7	.788	25	500
14 x 14 x 20	1.668	20	240
14 <sup>1</sup> / <sub>8</sub> x 8 <sup>5</sup> / <sub>8</sub> x 4	.516	25	1050
14 <sup>1</sup> / <sub>8</sub> x 8 <sup>5</sup> / <sub>8</sub> x 10	.756	25	500

GET QUOTE NOW

Inside Dimensions L x W x D	Wt. Per Each	No. Per Bundle	No. Per Full Pallet
14 <sup>1</sup> / <sub>8</sub> x 8 <sup>5</sup> / <sub>8</sub> x 12	.837	25	500
22 x 22 x 6	2.137	15	135
17 <sup>1</sup> / <sub>2</sub> x 11 <sup>1</sup> / <sub>2</sub> x 9 <sup>1</sup> / <sub>2</sub> (Letterhead)	1.077	25	500
17 x 10 x 6	.768	25	500
17 x 10 x 7	.817	25	500
11 <sup>1</sup> / <sub>8</sub> x 9 <sup>5</sup> / <sub>8</sub> x 12	.779	25	500
11 <sup>1</sup> / <sub>8</sub> x 9 <sup>5</sup> / <sub>8</sub> x 11 <sup>1</sup> / <sub>4</sub>	.752	25	500
20 x 10 x 6	.853	25	500
12 x 7 x 5	.401	25	1400
11 <sup>1</sup> / <sub>4</sub> x 8 <sup>3</sup> / <sub>4</sub> x 14 <sup>1</sup> / <sub>4</sub> (Letterhead)	.822	25	500
12 <sup>1</sup> / <sub>4</sub> x 9 <sup>1</sup> / <sub>4</sub> x 9	.683	25	700
26 x 18 x 12	2.299	10	260
5 <sup>1</sup> / <sub>2</sub> x 5 <sup>1</sup> / <sub>2</sub> x 5 <sup>1</sup> / <sub>2</sub>	.218	25	2800
9 x 8 x 8	.478	25	1050
10 x 5 x 4	.242	25	2625
10 x 9 x 6	.496	25	1050
10 x 9 x 8	.564	25	1050
12 x 10 x 9	.723	25	500
13 x 11 x 5	.664	25	700
16 x 14 x 8	1.163	25	250
16 x 14 x 10	1.263	25	250
18 x 16 x 8	1.431	20	240
18 x 18 x 24	2.635	15	135
20 x 20 x 8	1.957	15	270
22 x 20 x 18 <sup>1</sup> / <sub>2</sub>	2.812	10	130
36 x 20 x 7	2.690	10	130
23 x 4 <sup>1</sup> / <sub>2</sub> x 27 <sup>1</sup> / <sub>4</sub> (Heavy Duty) (Small Art)	2.565	15	240
28 x 5 <sup>1</sup> / <sub>2</sub> x 38 (HD FOL) (Medium Art)	4.193	10	120
32 x 6 x 42 (HD FOL) (Large Art)	5.224	5	125
35 <sup>3</sup> / <sub>4</sub> x 5 <sup>1</sup> / <sub>2</sub> x 45 <sup>1</sup> / <sub>4</sub> (HD FOL) (X-Large Art)	5.900	5	125
54 x 8 <sup>1</sup> / <sub>2</sub> x 28 <sup>1</sup> / <sub>2</sub> (HD FOL) (Bicycle)	7.175	5	125
33 <sup>1</sup> / <sub>2</sub> x 23 <sup>1</sup> / <sub>2</sub> x 23 <sup>1</sup> / <sub>2</sub> (Heavy Duty) (Appliance)	6.759	5	125
24 x 22 x 12 (Heavy Duty) (Stereo)	3.968	10	120
36 x 30 x 12 (with extra score at 8")	4.893	5	135
22 x 22 x 22 (Doublewall)	5.470	5	80
30 x 20 x 20 (HD) (with extra scores at 12"-14"-16"-18")	5.101	5	125

GET QUOTE NOW



## CORRUGATED BROWN REGULAR SLOTTED CONTAINERS

Furnished flat in unitized bundles.

All Regular Slotted Containers (RSC's) are manufactured to meet Rule 41, Item 222 and ASTM Standard Practice D5118.

Boxes are brown both inside and outside.

All dimensions listed are inside dimensions. The first dimension is **Length**, followed by **Width** and then **Depth**.

Inside Dimensions L x W x D	Wt. Per Each	No. Per Bundle	No. Per Full Pallet
16 <sup>3</sup> / <sub>4</sub> x 16 <sup>3</sup> / <sub>4</sub> x 17 <sup>1</sup> / <sub>2</sub> (R11, 8 Pack Master)	2.004	15	270
4 x 4 x 4	.121	25	4375
4 <sup>1</sup> / <sub>2</sub> x 4 <sup>1</sup> / <sub>2</sub> x 4 <sup>1</sup> / <sub>2</sub>	.150	25	3500
6 x 4 x 4 <sup>1</sup> / <sub>2</sub>	.156	25	3500
6 x 6 x 4	.215	25	2800
6 x 6 x 6	.258	25	2100
7 x 7 x 7	.347	25	1575
8 x 6 x 4	.249	25	2100
8 x 8 x 4	.337	25	1575
8 x 8 x 6	.393	25	1575
8 x 8 x 8	.450	25	1050
9 x 9 x 9	.564	25	1050
10 x 6 x 4	.284	25	2100
10 x 6 x 6	.340	25	1575
10 x 8 x 6	.441	25	1050
10 x 8 x 8	.505	25	1050
10 x 10 x 10	.624	25	700
12 x 10 x 4	.537	25	1050
12 x 12 x 6	.745	25	500
12 x 12 x 12	.993	25	500
12 <sup>1</sup> / <sub>4</sub> x 10 <sup>1</sup> / <sub>2</sub> x 8	.728	25	500
12 <sup>3</sup> / <sub>4</sub> x 9 <sup>9</sup> / <sub>16</sub> x 8 <sup>1</sup> / <sub>16</sub>	.702	25	700
13 <sup>1</sup> / <sub>2</sub> x 12 <sup>1</sup> / <sub>2</sub> x 10 <sup>1</sup> / <sub>4</sub>	1.018	25	500
13 <sup>1</sup> / <sub>2</sub> x 13 <sup>1</sup> / <sub>2</sub> x 7 <sup>1</sup> / <sub>2</sub>	.972	25	500
13 <sup>3</sup> / <sub>4</sub> x 10 <sup>1</sup> / <sub>4</sub> x 9	.787	25	500
14 x 10 x 10	.854	25	500
13 <sup>15</sup> / <sub>16</sub> x 9 <sup>9</sup> / <sub>16</sub> x 7 <sup>1</sup> / <sub>2</sub>	.684	25	1050
14 x 10 x 4	.600	25	1050
14 x 12 x 6	.828	25	500
14 x 14 x 14	1.381	25	500
15 x 15 x 10	1.318	25	250
16 x 14 x 6	1.057	25	500
16 x 16 x 16	1.789	20	240
16 <sup>1</sup> / <sub>8</sub> x 12 <sup>1</sup> / <sub>16</sub> x 9 <sup>1</sup> / <sub>4</sub>	1.062	25	500
16 <sup>1</sup> / <sub>2</sub> x 10 <sup>7</sup> / <sub>8</sub> x 7 <sup>3</sup> / <sub>4</sub>	.904	25	500
18 x 13 x 12	1.362	25	250
18 <sup>5</sup> / <sub>16</sub> x 12 <sup>1</sup> / <sub>4</sub> x 9 <sup>5</sup> / <sub>16</sub>	1.152	25	500
18 <sup>1</sup> / <sub>4</sub> x 16 <sup>1</sup> / <sub>2</sub> x 10 <sup>3</sup> / <sub>8</sub>	1.632	20	240
18 <sup>5</sup> / <sub>8</sub> x 12 <sup>1</sup> / <sub>2</sub> x 7	1.071	25	500
18 <sup>1</sup> / <sub>2</sub> x 18 <sup>1</sup> / <sub>2</sub> x 20 <sup>1</sup> / <sub>2</sub> (4.1 Cu. Ft.)	2.509	15	135
20 x 20 x 15 (3.5 Cu. Ft.)	2.434	15	135
7 x 7 x 12	.470	25	1050
20 x 20 x 18 (4.2 Cu. Ft.)	2.640	10	130
24 x 12 x 12 (2 Cu. Ft.)	1.520	20	240
24 x 17 x 15 (3.6 Cu. Ft.)	2.288	15	270
25 x 25 x 20	3.847	10	130
30 <sup>1</sup> / <sub>2</sub> x 18 <sup>1</sup> / <sub>2</sub> x 18 <sup>1</sup> / <sub>2</sub>	3.115	10	130
14 x 8 x 6	.554	25	1050

GET QUOTE NOW

Inside Dimensions L x W x D		Wt. Per Each	No. Per Bundle	No. Per Full Pallet	1000
14 x 14 x 10		1.185	25	500	
10 x 10 x 4		.487	25	1050	
11 <sup>1</sup> / <sub>4</sub> x 8 <sup>3</sup> / <sub>4</sub> x 6	(Letterhead)	.529	25	1050	
9 <sup>1</sup> / <sub>2</sub> x 9 <sup>1</sup> / <sub>2</sub> x 14 <sup>1</sup> / <sub>4</sub>		.805	25	500	
6 <sup>3</sup> / <sub>4</sub> x 6 <sup>3</sup> / <sub>4</sub> x 12 <sup>1</sup> / <sub>8</sub>		.450	25	1050	
10 x 10 x 6		.556	25	1050	
12 x 6 x 4		.319	25	2100	
12 x 10 x 6		.610	25	1050	
12 x 12 x 4		.662	25	700	
5 x 5 x 3 <sup>1</sup> / <sub>2</sub>		.154	25	3500	
6 x 5 x 4 <sup>1</sup> / <sub>2</sub>		.189	25	3500	
8 x 6 x 6		.299	25	2100	
10 x 6 <sup>3</sup> / <sub>4</sub> x 3 <sup>1</sup> / <sub>4</sub>		.298	25	2100	
12 x 4 x 4		.232	25	2625	
12 x 6 x 6		.382	25	1575	
12 <sup>1</sup> / <sub>4</sub> x 9 <sup>1</sup> / <sub>8</sub> x 5 <sup>7</sup> / <sub>8</sub>		.559	25	1050	
6 x 6 x 2		.172	25	3500	
12 <sup>3</sup> / <sub>4</sub> x 12 <sup>3</sup> / <sub>4</sub> x 13 <sup>1</sup> / <sub>2</sub>		1.209	25	500	
8 x 4 x 4		.175	25	3500	
10 x 4 x 4		.203	25	3150	
17 <sup>1</sup> / <sub>2</sub> x 11 <sup>1</sup> / <sub>2</sub> x 11 <sup>1</sup> / <sub>2</sub>	(Letterhead)	1.182	25	500	
17 <sup>1</sup> / <sub>4</sub> x 13 x 4 <sup>7</sup> / <sub>8</sub>		.956	25	500	
26 x 17 x 5		1.660	20	240	
10 x 10 x 5		.523	25	1050	
5 x 5 x 5		.181	25	3500	
12 x 8 x 6		.489	25	1050	
13 x 13 x 10		1.027	25	500	
12 x 8 x 8		.558	25	1050	
16 x 16 x 10		1.458	20	240	
18 <sup>1</sup> / <sub>2</sub> x 18 <sup>1</sup> / <sub>2</sub> x 12		1.968	15	270	
9 x 6 x 5 <sup>1</sup> / <sub>2</sub>		.307	25	2100	
10 x 10 x 8		.626	25	1050	
11 <sup>1</sup> / <sub>4</sub> x 8 <sup>3</sup> / <sub>4</sub> x 4	(Letterhead)	.458	25	1050	
12 x 12 x 9		.871	25	500	
23 <sup>1</sup> / <sub>2</sub> x 16 x 14	(3.1 Cu. Ft.)	2.073	15	270	
12 x 10 x 8		.687	25	1050	
12 x 12 x 8		.828	25	500	
12 x 12 x 10		.910	25	500	
14 x 10 x 6		.685	25	1050	
14 x 14 x 6		.988	25	500	
16 x 8 x 8		.687	25	500	
16 x 10 x 10		.923	25	500	
18 x 18 x 12		1.884	15	270	
18 x 18 x 18		2.255	15	135	
32 x 14 x 5		1.548	15	270	
12 x 8 x 4		.420	25	1400	
7 x 5 x 3		.174	25	3500	
7 x 5 x 5		.216	25	2800	
7 x 7 x 5		.298	25	2100	
9 x 6 x 4		.268	25	2100	
9 x 6 x 6		.320	25	2100	
9 x 9 x 6		.472	25	1575	
14 x 14 x 12		1.283	25	500	
15 x 8 x 7		.619	25	1050	
15 x 15 x 20		1.840	20	240	
19 x 8 x 8		.771	25	500	
20 x 20 x 4		1.675	20	240	
24 x 18 x 18	(4.5 Cu. Ft.)	2.635	15	135	
18 x 18 x 8		1.637	20	240	
4 x 4 x 5		.135	25	4200	
20 x 16 x 12		1.763	20	240	
8 <sup>1</sup> / <sub>2</sub> x 8 <sup>1</sup> / <sub>2</sub> x 8 <sup>1</sup> / <sub>2</sub>		.505	25	1050	
5 x 5 x 10		.272	25	2100	
16 x 12 <sup>3</sup> / <sub>4</sub> x 12 <sup>3</sup> / <sub>4</sub>	(1.5 Cu. Ft.)	1.289	25	500	

**GET QUOTE NOW**

Inside Dimensions L x W x D	Wt. Per Each	No. Per Bundle	No. Per Full Pallet
15 x 10 x 5	.688	25	700
7 x 6 x 4	.232	25	2625
7 x 6 x 6	.279	25	2100
7 x 7 x 4	.274	25	2100
8 x 5 x 5	.234	25	2800
4 x 4 x 12	.238	25	2625
9 x 4 x 4	.190	25	3150
10 x 8 x 4	.380	25	1400
11 x 6 x 4	.302	25	2100
11 x 8 x 6	.465	25	1050
11 <sup>1</sup> / <sub>4</sub> x 8 <sup>3</sup> / <sub>4</sub> x 8 (Letterhead)	.601	25	1050
12 x 9 x 3	.440	25	1400
12 x 9 x 7	.586	25	1050
12 x 9 x 9	.659	25	1050
14 x 6 x 6	.424	25	1400
6 x 4 x 3 <sup>1</sup> / <sub>2</sub>	.137	25	4200
14 x 14 x 8	1.086	25	500
15 x 15 x 15	1.579	20	240
18 x 18 x 6	1.513	25	250
24 x 24 x 24 (8 Cu. Ft.)	3.931	10	130
20 x 20 x 20 (4.6 Cu. Ft.)	2.781	10	130
12 x 9 x 6	.550	25	1050
22 x 14 x 14	1.766	15	270
4 x 4 x 18	.304	25	1750
6 x 6 x 3	.193	25	2800
6 x 6 x 5	.237	25	2800
30 x 18 x 16	2.807	10	130
26 x 16 x 14	2.195	15	270
8 x 5 x 4	.212	25	2625
12 x 5 x 4	.275	25	2100
17 <sup>3</sup> / <sub>4</sub> x 11 <sup>1</sup> / <sub>2</sub> x 12 <sup>1</sup> / <sub>2</sub> (Letterhead with extra scores at 6"-8"-10")	1.243	25	500
8 x 8 x 3	.310	25	2100
8 x 8 x 5	.366	25	1575
24 x 16 x 13	2.027	15	270
12 x 12 x 5	.706	25	700
12 x 12 x 17 <sup>1</sup> / <sub>2</sub>	1.250	25	500
9 x 7 x 4	.312	25	2100
12 x 12 x 30	1.729	20	240
13 x 10 x 4	.561	25	1050
9 x 8 x 6	.418	25	1575
9 x 9 x 4	.410	25	1575
13 <sup>7</sup> / <sub>8</sub> x 11 <sup>1</sup> / <sub>4</sub> x 10 <sup>1</sup> / <sub>4</sub>	.933	25	500
14 x 12 x 4	.738	25	500
14 x 12 x 9 <sup>1</sup> / <sub>8</sub>	.972	25	500
10 x 6 x 5	.313	25	2100
10 x 7 x 4	.330	25	2100
10 x 7 x 5	.359	25	1575
10 x 8 x 5	.412	25	1575
10 x 8 x 7	.473	25	1575
12 <sup>1</sup> / <sub>4</sub> x 9 <sup>1</sup> / <sub>4</sub> x 15	.928	25	500
14 x 14 x 18	1.572	20	240
12 <sup>3</sup> / <sub>8</sub> x 12 <sup>3</sup> / <sub>8</sub> x 4 <sup>1</sup> / <sub>2</sub>	.721	25	500
15 x 15 x 12	1.424	25	250
36 x 8 x 8	1.237	20	360
24 x 12 x 8	1.272	20	240
10 <sup>1</sup> / <sub>2</sub> x 10 <sup>1</sup> / <sub>2</sub> x 7 <sup>1</sup> / <sub>2</sub>	.656	25	700
16 x 11 x 10	1.005	25	500
11 x 11 x 11	.835	25	500
20 x 14 x 10	1.436	25	250
12 x 9 <sup>1</sup> / <sub>2</sub> x 4	.508	25	1050
12 x 9 <sup>1</sup> / <sub>2</sub> x 8	.654	25	1050
12 x 9 <sup>1</sup> / <sub>2</sub> x 12	.801	25	500
13 <sup>3</sup> / <sub>8</sub> x 13 <sup>3</sup> / <sub>8</sub> x 12	1.193	25	500
12 x 10 x 10	.763	25	500

**GET QUOTE NOW**

Inside Dimensions L x W x D	Wt. Per Each	No. Per Bundle	No. Per Full Pallet
17 <sup>3</sup> / <sub>4</sub> x 14 <sup>1</sup> / <sub>2</sub> x 12 <sup>1</sup> / <sub>2</sub> (Letterhead)	1.526	25	250
12 x 12 x 3	.623	25	700
18 x 12 x 6	.956	25	500
14 x 6 x 4	.355	25	1750
14 x 7 x 7	.529	25	1050
14 x 8 x 8	.630	25	1050
14 x 9 x 9	.738	25	500
14 x 10 x 8	.769	25	750
14 x 11 x 3	.608	25	1050
18 x 18 x 10	1.760	15	270
14 x 14 x 7	1.038	25	500
15 x 7 x 5	.477	25	1400
15 x 11 x 7	.830	25	500
18 x 18 x 15	2.070	15	270
16 x 5 x 5	.373	25	1400
16 x 7 x 7	.578	25	750
16 x 10 x 6	.741	25	750
16 x 10 x 8	.832	25	500
16 x 12 x 12	1.188	25	500
16 x 16 x 6	1.233	25	500
16 x 16 x 8	1.346	25	250
16 x 16 x 12	1.564	20	240
18 x 6 x 6	.520	25	750
18 x 9 x 9	.864	25	500
18 x 10 x 10	.993	25	500
18 x 12 x 8	1.059	25	500
18 x 18 x 4	1.389	25	250
20 x 20 x 16	2.499	10	130
33 x 18 x 10	2.442	10	260
20 x 8 x 8	.799	25	500
19 x 6 x 4	.451	25	1000
19 x 7 x 7	.654	25	750
20 x 4 x 4	.353	25	1750
20 x 20 x 40	4.076	5	135
21 x 12 x 12	1.392	15	270
16 x 16 x 4	1.121	25	500
20 x 10 x 8	.958	25	500
20 x 10 x 10	1.062	25	500
23 x 13 x 3 <sup>1</sup> / <sub>2</sub>	1.049	20	360
20 x 12 x 12	1.352	25	500
24 x 8 x 6	.799	25	500
20 x 15 x 15	1.836	20	240
20 x 20 x 10	2.087	15	270
22 x 10 x 9	1.076	25	500
22 x 22 x 18	3.052	10	130
17 <sup>1</sup> / <sub>4</sub> x 17 <sup>1</sup> / <sub>4</sub> x 11	1.699	15	270
22 x 22 x 24	3.449	10	130
20 <sup>3</sup> / <sub>16</sub> x 13 <sup>7</sup> / <sub>16</sub> x 7 <sup>3</sup> / <sub>4</sub>	1.250	25	500
24 x 6 x 6	.648	25	500
24 x 8 x 8	.910	25	500
24 x 10 x 8	1.084	25	500
24 x 12 x 6	1.148	20	360
24 x 24 x 12	2.943	10	130
24 x 24 x 18 <sup>1</sup> / <sub>2</sub>	3.567	10	130
24 x 24 x 36	4.895	5	135
27 x 14 x 9	1.654	20	240
27 x 27 x 27	4.961	5	135
28 x 6 x 6	.732	25	500
29 x 17 x 9	2.085	15	270
29 x 17 x 15	2.570	15	135
32 x 6 x 6	.808	25	500
24 x 14 x 4	1.206	20	360
33 x 14 x 14	2.272	15	270
36 x 12 x 10	1.832	15	270

**GET QUOTE NOW**

Inside Dimensions L x W x D	Wt. Per Each	No. Per Bundle	No. Per Full Pallet
24 x 13 <sup>1</sup> / <sub>8</sub> x 12 <sup>3</sup> / <sub>4</sub>	1.688	15	270
24 x 14 x 20	2.257	15	135
40 x 8 x 8	1.348	20	360
30 x 24 x 10	3.122	10	130
24 x 16 x 6	1.550	20	240
24 x 18 x 10	2.051	15	270
10 x 7 x 7	.420	25	1575
24 x 18 x 12	2.194	15	270
4 x 4 x 8	.179	25	3500
24 x 24 x 7	2.641	10	130
25 x 17 x 15	2.337	15	270
25 <sup>1</sup> / <sub>2</sub> x 13 x 13	1.753	20	240
11 <sup>1</sup> / <sub>4</sub> x 8 <sup>3</sup> / <sub>4</sub> x 10 (Letterhead)	.671	25	1050
6 <sup>3</sup> / <sub>4</sub> x 6 <sup>3</sup> / <sub>4</sub> x 7 <sup>3</sup> / <sub>4</sub>	.347	25	1575
12 x 12 x 15	1.145	25	500
13 x 13 x 13	1.191	25	500
18 x 12 x 12	1.268	25	500
30 x 14 x 5	1.469	20	240
17 x 17 x 17	2.014	15	270
17 <sup>1</sup> / <sub>2</sub> x 11 <sup>1</sup> / <sub>2</sub> x 8 <sup>3</sup> / <sub>4</sub> (Letterhead)	1.038	25	500
17 <sup>1</sup> / <sub>2</sub> x 11 <sup>1</sup> / <sub>2</sub> x 14 <sup>1</sup> / <sub>4</sub> (Letterhead)	1.316	25	500
15 x 12 x 8	.955	25	500
24 x 16 x 24	2.787	10	130
20 x 14 x 12 (#6 <sup>3</sup> / <sub>4</sub> Envelope)	1.554	25	250
15 x 12 x 10	1.050	25	500
30 x 14 x 7	1.626	15	270
32 x 17 x 16	2.776	10	130
20 x 15 x 9	1.476	20	240
36 x 21 x 20	3.984	5	135
22 x 14 x 12	1.642	15	270
21 <sup>3</sup> / <sub>8</sub> x 16 <sup>5</sup> / <sub>8</sub> x 12 <sup>1</sup> / <sub>8</sub>	1.910	15	270
15 x 12 x 4	.767	25	750
4 x 4 x 36	.546	25	1050
36 x 12 x 16	2.309	10	260
13 <sup>5</sup> / <sub>8</sub> x 7 x 7 <sup>5</sup> / <sub>8</sub>	.530	25	1050
18 x 16 x 12	1.669	15	270
24 x 14 x 14 <sup>3</sup> / <sub>8</sub>	1.717	15	270
11 <sup>1</sup> / <sub>4</sub> x 8 <sup>3</sup> / <sub>4</sub> x 12 (Letterhead)	.741	25	500
18 x 18 x 16 (3.02 Cu. Ft.)	2.131	15	270
25 x 12 x 10	1.437	25	250
12 <sup>7</sup> / <sub>8</sub> x 8 <sup>9</sup> / <sub>16</sub> x 5	.520	25	1050
21 <sup>1</sup> / <sub>2</sub> x 10 <sup>5</sup> / <sub>8</sub> x 15 <sup>1</sup> / <sub>2</sub>	1.479	20	240
12 x 12 x 11	.950	25	500
30 x 30 x 30	6.117	5	135
20 x 20 x 36	3.808	10	130
15 x 15 x 5	1.058	25	500
9 x 5 x 5	.251	25	2625
12 x 9 x 4	.477	25	1400
14 x 14 x 9	1.137	25	500
20 x 12 x 6	1.018	25	500
10 x 5 x 5	.270	25	2625
16 x 9 x 3	.538	25	1000
16 x 16 x 36	2.835	10	130
28 x 16 x 3 <sup>1</sup> / <sub>2</sub>	1.505	15	270
28 x 16 x 5	1.623	15	270
28 x 16 x 7	1.780	15	270
11 <sup>1</sup> / <sub>4</sub> x 8 <sup>3</sup> / <sub>4</sub> x 4 <sup>3</sup> / <sub>4</sub> (Letterhead)	.484	25	1050
11 <sup>3</sup> / <sub>4</sub> x 9 <sup>1</sup> / <sub>4</sub> x 7 <sup>1</sup> / <sub>8</sub>	.598	25	1050
13 x 8 <sup>5</sup> / <sub>8</sub> x 9 <sup>7</sup> / <sub>8</sub>	.695	25	700
4 x 4 x 24	.385	25	1400
4 x 4 x 28	.439	25	1400
4 x 4 x 40	.601	25	1050
4 x 4 x 48	.710	25	700
5 x 5 x 4	.163	25	3500

**GET QUOTE NOW**

Inside Dimensions L x W x D	Wt. Per Each	No. Per Bundle	No. Per Full Pallet
6 x 4 x 4	.147	25	3500
6 x 5 x 5	.199	25	2800
22 x 18 x 16	2.423	10	130
6 x 6 x 40	1.040	25	700
6 x 6 x 48	1.221	25	500
7 x 7 x 6	.322	25	1575
8 x 6 x 3	.226	25	2100
8 x 6 x 5	.275	25	2100
9 x 7 x 5	.339	25	1400
8 x 8 x 17	.701	25	1050
9 x 4 x 3	.166	25	3150
9 x 5 x 3	.202	25	2625
9 x 6 x 5	.294	25	2100
9 x 7 x 7	.395	25	1575
9 x 8 x 4	.358	25	1400
9 x 9 x 7	.503	25	1050
10 x 9 x 9	.597	25	700
10 x 10 x 3	.454	25	1050
10 x 10 x 7	.592	25	1050
10 x 10 x 9	.662	25	700
10 x 10 x 15	.867	25	500
10 <sup>1</sup> / <sub>2</sub> x 7 <sup>3</sup> / <sub>4</sub> x 6 <sup>7</sup> / <sub>16</sub>	.454	25	1400
10 <sup>1</sup> / <sub>2</sub> x 10 <sup>1</sup> / <sub>2</sub> x 10 <sup>1</sup> / <sub>2</sub>	.763	25	500
11 x 7 x 7	.443	25	1400
11 x 9 x 9	.626	25	1050
11 <sup>1</sup> / <sub>4</sub> x 8 <sup>3</sup> / <sub>4</sub> x 12 (Letterhead with extra scores at 6"-8"-10")	.741	25	500
16 x 16 x 9	1.445	20	240
12 x 6 x 5	.351	25	1750
12 x 8 <sup>3</sup> / <sub>4</sub> x 10 <sup>1</sup> / <sub>4</sub> (11 <sup>3</sup> / <sub>4</sub> x 8 <sup>1</sup> / <sub>2</sub> Snapout and Continuous Forms)	.686	25	700
12 x 10 x 3	.497	25	1050
12 x 11 x 4	.597	25	700
12 x 12 x 2	.580	25	1050
12 x 12 x 20	1.355	20	240
12 x 12 x 25	1.565	20	240
12 x 12 x 40	2.135	15	270
12 x 12 x 48	2.540	15	270
12 <sup>1</sup> / <sub>4</sub> x 9 <sup>1</sup> / <sub>4</sub> x 6 <sup>1</sup> / <sub>4</sub>	.581	25	1050
12 <sup>1</sup> / <sub>4</sub> x 9 <sup>1</sup> / <sub>4</sub> x 12 <sup>1</sup> / <sub>2</sub>	.810	25	500
12 <sup>1</sup> / <sub>2</sub> x 7 x 7	.480	25	1050
16 x 16 x 26	2.374	15	135
12 <sup>1</sup> / <sub>2</sub> x 12 <sup>1</sup> / <sub>2</sub> x 8 (Record Size)	.884	25	500
12 <sup>1</sup> / <sub>2</sub> x 12 <sup>1</sup> / <sub>2</sub> x 10 <sup>1</sup> / <sub>2</sub> (Record Size)	.990	25	500
12 x 9 <sup>1</sup> / <sub>2</sub> x 16	.975	25	500
13 x 9 x 5 <sup>1</sup> / <sub>2</sub>	.550	25	1050
13 x 9 x 7	.612	25	1050
13 x 9 x 8 <sup>1</sup> / <sub>2</sub>	.668	25	700
13 x 9 x 11	.765	25	500
13 x 10 <sup>1</sup> / <sub>4</sub> x 10	.814	25	500
13 x 13 x 4 <sup>1</sup> / <sub>2</sub>	.837	25	500
17 <sup>1</sup> / <sub>2</sub> x 11 <sup>1</sup> / <sub>2</sub> x 11 (with extra scores at 5"-7"-9")	1.185	25	500
13 <sup>1</sup> / <sub>2</sub> x 8 <sup>1</sup> / <sub>2</sub> x 10 <sup>1</sup> / <sub>2</sub>	.726	25	500
14 x 10 x 12	.935	25	500
14 x 12 x 12	1.103	25	500
14 x 14 x 5	.939	25	500
14 x 14 x 24	1.865	20	240
14 <sup>1</sup> / <sub>8</sub> x 11 <sup>3</sup> / <sub>4</sub> x 6 <sup>5</sup> / <sub>16</sub>	.829	25	500
14 <sup>1</sup> / <sub>2</sub> x 9 <sup>1</sup> / <sub>2</sub> x 12	.918	25	500
15 x 9 x 8	.728	25	700
15 x 9 <sup>1</sup> / <sub>4</sub> x 6	.660	25	1050
15 x 12 x 12	1.146	25	500
24 x 24 x 6	2.561	10	130
15 x 15 x 6	1.107	25	375
15 x 15 x 30	2.301	15	135
25 <sup>5</sup> / <sub>8</sub> x 25 <sup>5</sup> / <sub>8</sub> x 25 <sup>1</sup> / <sub>4</sub> (Max. U.P.S.)	4.607	5	135

**GET QUOTE NOW**

Inside Dimensions L x W x D	Wt. Per Each	No. Per Bundle	No. Per Full Pallet
15 <sup>1</sup> / <sub>8</sub> x 8 <sup>3</sup> / <sub>4</sub> x 10 <sup>1</sup> / <sub>4</sub> (14 <sup>7</sup> / <sub>8</sub> x 8 <sup>1</sup> / <sub>2</sub> Snapout and Continuous Forms)	.789	25	500
20 x 20 x 24	3.001	10	130
15 <sup>1</sup> / <sub>8</sub> x 11 <sup>1</sup> / <sub>4</sub> x 10 <sup>1</sup> / <sub>4</sub> (14 <sup>7</sup> / <sub>8</sub> x 11 Snapout and Continuous Forms)	1.005	25	500
15 <sup>1</sup> / <sub>2</sub> x 14 <sup>1</sup> / <sub>2</sub> x 10 <sup>1</sup> / <sub>2</sub>	1.318	20	240
15 <sup>3</sup> / <sub>4</sub> x 10 <sup>3</sup> / <sub>4</sub> x 6 <sup>3</sup> / <sub>8</sub>	.806	25	500
15 <sup>3</sup> / <sub>4</sub> x 10 <sup>3</sup> / <sub>4</sub> x 12 <sup>5</sup> / <sub>8</sub>	1.120	25	500
16 x 6 x 6	.478	25	1000
16 x 8 x 6	.602	25	750
16 x 12 x 4	.795	25	500
16 x 12 x 6	.892	25	500
16 x 12 x 8	.991	25	500
16 x 12 x 10	1.089	25	500
16 x 14 x 4	.952	25	500
22 x 22 x 12	2.591	10	130
16 x 14 x 12	1.368	20	240
16 x 16 x 19	1.958	15	270
16 <sup>1</sup> / <sub>4</sub> x 12 <sup>1</sup> / <sub>4</sub> x 11 <sup>3</sup> / <sub>16</sub>	1.178	25	500
16 <sup>5</sup> / <sub>8</sub> x 14 <sup>1</sup> / <sub>4</sub> x 12 <sup>1</sup> / <sub>8</sub>	1.430	20	240
17 x 9 x 9	.833	25	500
17 x 14 x 9	1.253	20	240
17 <sup>1</sup> / <sub>4</sub> x 17 <sup>1</sup> / <sub>4</sub> x 8	1.520	20	240
21 <sup>3</sup> / <sub>8</sub> x 15 <sup>5</sup> / <sub>8</sub> x 18 <sup>5</sup> / <sub>8</sub>	2.215	15	135
17 <sup>1</sup> / <sub>4</sub> x 17 <sup>1</sup> / <sub>4</sub> x 14 <sup>1</sup> / <sub>2</sub>	1.910	15	270
17 <sup>1</sup> / <sub>2</sub> x 11 <sup>1</sup> / <sub>2</sub> x 10 <sup>3</sup> / <sub>4</sub> (Letterhead)	1.171	25	500
18 x 8 x 6	.652	25	750
18 x 10 x 6	.797	25	500
18 x 12 x 5	.904	25	500
18 x 12 x 9	1.113	25	500
18 x 12 x 10	1.168	25	500
18 x 14 x 4	1.016	25	500
18 x 14 x 6	1.125	25	375
18 x 14 x 8	1.238	25	250
18 x 14 x 10	1.350	25	250
18 x 14 x 12	1.463	25	250
18 x 16 x 4	1.194	20	360
18 x 16 x 6	1.313	20	240
18 x 16 x 10	1.550	20	240
18 <sup>1</sup> / <sub>2</sub> x 18 <sup>1</sup> / <sub>2</sub> x 10 <sup>1</sup> / <sub>2</sub>	1.875	15	270
18 <sup>1</sup> / <sub>2</sub> x 18 <sup>1</sup> / <sub>2</sub> x 16 <sup>1</sup> / <sub>2</sub>	2.257	15	135
18 <sup>1</sup> / <sub>2</sub> x 18 <sup>1</sup> / <sub>2</sub> x 30 <sup>1</sup> / <sub>2</sub>	3.083	10	130
19 x 12 x 3	.825	25	500
19 x 12 <sup>1</sup> / <sub>2</sub> x 13 <sup>3</sup> / <sub>4</sub> (#6 <sup>3</sup> / <sub>4</sub> Envelope)	1.454	25	250
19 x 14 <sup>1</sup> / <sub>4</sub> x 12	1.532	25	250
19 x 15 x 6	1.260	25	375
19 <sup>3</sup> / <sub>4</sub> x 15 x 13	1.703	20	240
21 x 8 x 8	.852	25	500
20 x 6 x 6	.563	25	500
20 x 12 x 8	1.127	25	375
20 x 13 x 10	1.365	25	250
20 x 14 x 6	1.198	25	375
20 x 14 x 14	1.673	20	240
20 x 16 x 14	1.887	20	240
20 x 20 x 6	1.816	20	240
20 x 20 x 7	1.881	20	240
29 x 10 x 9	1.345	25	250
20 x 20 x 12	2.228	15	135
20 x 20 x 14	2.369	15	135
32 x 12 x 9	1.670	20	240
20 x 20 x 25 (Max. U.S. Postal Service)	3.078	10	130
21 x 14 x 14	1.720	15	270
21 x 18 x 8 <sup>1</sup> / <sub>2</sub> (with extra scores at 2 <sup>1</sup> / <sub>2</sub> "-4 <sup>1</sup> / <sub>2</sub> "-6 <sup>1</sup> / <sub>2</sub> "	1.803	15	270
21 <sup>3</sup> / <sub>8</sub> x 15 <sup>5</sup> / <sub>8</sub> x 6 <sup>5</sup> / <sub>8</sub>	1.450	15	270
21 <sup>3</sup> / <sub>8</sub> x 15 <sup>5</sup> / <sub>8</sub> x 9 <sup>1</sup> / <sub>2</sub>	1.628	15	270
21 <sup>3</sup> / <sub>8</sub> x 15 <sup>5</sup> / <sub>8</sub> x 12 <sup>5</sup> / <sub>8</sub>	1.832	15	270

GET QUOTE NOW

Inside Dimensions L x W x D	Wt. Per Each	No. Per Bundle	No. Per Full Pallet
21 <sup>3</sup> / <sub>8</sub> x 15 <sup>5</sup> / <sub>8</sub> x 15 <sup>3</sup> / <sub>4</sub>	2.028	15	270
21 <sup>3</sup> / <sub>8</sub> x 15 <sup>5</sup> / <sub>8</sub> x 30 <sup>5</sup> / <sub>8</sub>	2.920	10	130
22 x 6 x 6	.605	25	500
22 x 10 x 4	.797	25	500
22 x 13 <sup>1</sup> / <sub>2</sub> x 10 <sup>3</sup> / <sub>4</sub>	1.512	20	240
22 x 17 x 12	1.979	15	270
22 x 22 x 8	2.294	15	270
22 x 22 x 10	2.450	15	270
22 x 22 x 16	2.895	10	130
22 x 22 x 22	3.308	10	130
31 x 10 x 8	1.340	20	360
26 x 14 x 13	1.910	15	270
23 x 8 x 6	.774	25	500
23 x 12 x 3 <sup>1</sup> / <sub>2</sub>	.959	25	500
23 x 14 x 10	1.555	20	240
13 x 13 x 7 <sup>1</sup> / <sub>2</sub>	.916	25	500
11 x 11 x 9	.762	25	500
9 x 9 x 5	.440	25	1575
31 x 24 x 19	4.034	5	135
32 x 13 x 6	1.511	15	270
39 <sup>1</sup> / <sub>2</sub> x 15 <sup>1</sup> / <sub>2</sub> x 17 <sup>1</sup> / <sub>4</sub>	3.158	10	130
24 x 12 x 9	1.369	25	250
23 x 16 x 19	2.386	10	130
23 <sup>1</sup> / <sub>2</sub> x 14 x 4	1.195	25	250
23 <sup>1</sup> / <sub>2</sub> x 14 x 6	1.319	20	360
24 x 10 x 6	.965	25	500
24 x 10 x 10	1.203	20	360
24 x 12 x 11	1.458	20	240
24 x 14 x 8	1.471	20	240
24 x 14 x 18	2.129	15	270
24 x 16 x 4	1.409	20	240
24 x 17 x 3	1.445	20	240
24 x 20 x 12	2.458	15	135
23 x 23 x 15	3.113	10	130
24 x 24 x 16	3.286	10	130
24 x 24 x 20	3.616	10	130
24 x 24 x 30	4.412	5	135
25 x 19 x 10 <sup>1</sup> / <sub>2</sub>	2.261	15	135
26 x 12 x 12	1.602	20	240
26 x 15 x 5	1.480	15	270
26 x 15 x 7	1.583	15	270
26 x 16 x 19	2.553	10	130
39 <sup>1</sup> / <sub>2</sub> x 20 x 10	3.131	10	130
26 x 26 x 20	4.081	5	135
27 x 15 x 6 <sup>1</sup> / <sub>2</sub>	1.588	15	270
27 x 23 x 8 <sup>1</sup> / <sub>2</sub> (with extra scores at 2 <sup>1</sup> / <sub>2</sub> "-4 <sup>1</sup> / <sub>2</sub> "-6 <sup>1</sup> / <sub>2</sub> "	2.702	10	130
28 x 16 x 12	2.146	10	260
28 x 16 x 14	2.302	10	260
8 <sup>1</sup> / <sub>2</sub> x 8 <sup>1</sup> / <sub>2</sub> x 24	.985	25	500
28 x 28 x 12	3.832	5	135
28 x 28 x 20	4.587	5	135
28 x 28 x 28	5.341	5	135
29 x 17 x 3	1.615	15	270
29 x 17 x 7	1.929	15	270
29 x 17 x 12	2.328	10	130
30 x 15 x 15	2.357	10	130
30 x 24 x 12	3.339	10	130
31 x 16 x 9	2.029	10	260
10 x 10 x 12	.778	25	500
31 x 24 x 8 <sup>1</sup> / <sub>2</sub> (with extra scores at 2 <sup>1</sup> / <sub>2</sub> "-4 <sup>1</sup> / <sub>2</sub> "-6 <sup>1</sup> / <sub>2</sub> "	3.070	10	130
32 x 8 x 8	1.138	20	360
32 x 15 <sup>5</sup> / <sub>8</sub> x 12 <sup>5</sup> / <sub>8</sub>	2.320	10	130
33 x 19 x 4 <sup>1</sup> / <sub>2</sub>	2.115	10	260
36 x 6 x 6	.929	20	480

**GET QUOTE NOW**

Inside Dimensions L x W x D	Wt. Per Each	No. Per Bundle	No. Per Full Pallet
36 x 12 x 4	1.348	15	405
36 x 16 x 7	2.069	10	260
36 x 20 x 9	2.786	10	130
36 x 20 x 15	3.357	10	130
36 x 21 x 12	3.226	10	130
39 x 20 x 36	5.634	5	135
42 x 11 x 6	1.577	15	270
42 x 11 x 10	1.935	10	260
44 x 12 x 12	2.323	10	260
46 x 20 x 12 (with extra score at 9")	3.748	10	130
36 x 16 x 5	1.897	10	260
16 x 16 x 16 (Doublewall)	2.949	10	160
18 x 18 x 18 (Doublewall)	3.706	10	80
20 x 20 x 20 (Doublewall)	4.550	5	80
24 x 12 x 12 (Doublewall)	2.507	10	160
24 x 18 x 18 (Doublewall)	4.312	5	80
24 x 24 x 24 (Doublewall)	6.504	5	80
30 x 30 x 30 (Doublewall)	10.076	5	80
12 x 12 x 12 (Doublewall)	1.685	15	300
24 x 24 x 36 (Doublewall)	8.109	5	80
32 <sup>3</sup> / <sub>4</sub> x 18 <sup>1</sup> / <sub>4</sub> x 12 <sup>1</sup> / <sub>2</sub> (Heavy Duty)	4.006	10	120
17 x 14 x 5	1.039	25	500
12 x 12 x 7	.788	25	500
22 x 22 x 6	2.137	15	135
17 x 10 x 6	.768	25	500
20 x 10 x 6	.853	25	500
12 x 7 x 5	.401	25	1400
11 <sup>1</sup> / <sub>4</sub> x 8 <sup>3</sup> / <sub>4</sub> x 14 <sup>1</sup> / <sub>4</sub> (Letterhead)	.822	25	500
12 <sup>1</sup> / <sub>4</sub> x 9 <sup>1</sup> / <sub>4</sub> x 9	.683	25	700
26 x 18 x 12	2.299	10	260
9 x 8 x 8	.478	25	1050
10 x 5 x 4	.242	25	2625
10 x 9 x 6	.496	25	1050
12 x 10 x 9	.723	25	500
13 x 11 x 5	.664	25	700
16 x 14 x 8	1.163	25	250
16 x 14 x 10	1.263	25	250
18 x 16 x 8	1.431	20	240
18 x 18 x 24	2.635	15	135
20 x 20 x 8	1.957	15	270
22 x 20 x 18 <sup>1</sup> / <sub>2</sub>	2.812	10	130
6 x 5 x 4	.183	25	2800
6 x 6 x 36	.720	25	700
7 x 7 x 3	.253	25	2100
7 x 7 x 8	.379	25	1575
7 x 7 x 10	.429	25	1050
7 <sup>1</sup> / <sub>4</sub> x 5 <sup>3</sup> / <sub>4</sub> x 1 <sup>15</sup> / <sub>16</sub>	.183	25	2625
12 x 9 x 10	.707	25	700
8 x 8 x 13 <sup>1</sup> / <sub>4</sub>	.608	25	700
9 x 9 x 25	1.104	25	375
10 x 6 x 3	.261	25	2100
10 x 10 x 10 (Heavy Duty)	1.047	25	500
10 <sup>1</sup> / <sub>2</sub> x 10 <sup>1</sup> / <sub>2</sub> x 5 <sup>1</sup> / <sub>2</sub>	.593	25	1050
11 x 8 <sup>3</sup> / <sub>4</sub> x 4 <sup>7</sup> / <sub>8</sub> (Heavy Duty)	.711	25	750
11 <sup>3</sup> / <sub>4</sub> x 9 <sup>1</sup> / <sub>4</sub> x 5 <sup>1</sup> / <sub>4</sub>	.540	25	1050
12 x 12 x 12 (Heavy Duty)	1.502	25	500
20 x 12 x 16	1.617	20	240
12 x 12 x 24	1.541	25	250
12 x 12 x 36	2.051	15	270
12 x 12 x 56	2.900	10	260
12 <sup>1</sup> / <sub>4</sub> x 11 x 7 <sup>9</sup> / <sub>16</sub>	.760	25	500
12 <sup>1</sup> / <sub>4</sub> x 11 x 10 <sup>3</sup> / <sub>8</sub>	.874	25	500
12 <sup>3</sup> / <sub>8</sub> x 12 <sup>3</sup> / <sub>8</sub> x 6 <sup>1</sup> / <sub>2</sub>	.819	25	500
12 <sup>1</sup> / <sub>2</sub> x 9 <sup>5</sup> / <sub>8</sub> x 9	.728	25	700

GET QUOTE NOW

Inside Dimensions L x W x D	Wt. Per Each	No. Per Bundle	No. Per Full Pallet
13 x 8 <sup>5</sup> / <sub>8</sub> x 8	.638	25	1050
13 x 9 x 4 <sup>3</sup> / <sub>4</sub>	.536	25	1050
13 <sup>1</sup> / <sub>2</sub> x 9 <sup>1</sup> / <sub>4</sub> x 5 <sup>7</sup> / <sub>8</sub>	.609	25	1050
14 x 12 x 8 <sup>1</sup> / <sub>2</sub> (with extra scores at 2 <sup>1</sup> / <sub>2</sub> "-4 <sup>1</sup> / <sub>2</sub> "-6 <sup>1</sup> / <sub>2</sub> "	.934	25	500
14 x 14 x 14 (Heavy Duty)	2.022	20	480
14 x 14 x 30	2.177	20	240
14 x 14 x 36	2.480	15	270
14 <sup>1</sup> / <sub>8</sub> x 8 <sup>5</sup> / <sub>8</sub> x 12 (with extra scores at 6"-8"-10")	.837	25	500
14 <sup>1</sup> / <sub>2</sub> x 10 x 9	.820	25	500
14 <sup>3</sup> / <sub>4</sub> x 12 <sup>1</sup> / <sub>4</sub> x 5 <sup>7</sup> / <sub>8</sub>	.857	25	500
14 <sup>3</sup> / <sub>4</sub> x 12 <sup>1</sup> / <sub>4</sub> x 10 <sup>3</sup> / <sub>8</sub>	1.070	25	500
15 x 9 <sup>3</sup> / <sub>4</sub> x 8 <sup>1</sup> / <sub>2</sub>	.796	25	500
15 x 9 <sup>3</sup> / <sub>4</sub> x 11 <sup>5</sup> / <sub>8</sub>	.932	25	500
15 x 10 x 14	1.056	25	500
15 x 9 <sup>3</sup> / <sub>4</sub> x 6 <sup>1</sup> / <sub>4</sub>	.699	25	700
15 x 15 x 4	.993	25	500
15 x 15 x 36	2.696	15	135
15 x 15 x 40	2.910	15	135
15 x 15 x 56	3.754	10	130
15 <sup>3</sup> / <sub>4</sub> x 10 <sup>3</sup> / <sub>4</sub> x 9 <sup>1</sup> / <sub>2</sub>	.943	25	500
15 <sup>3</sup> / <sub>4</sub> x 10 <sup>3</sup> / <sub>4</sub> x 15 <sup>5</sup> / <sub>8</sub>	1.270	25	500
16 x 6 x 4	.396	25	1000
16 x 16 x 16 (Heavy Duty)	2.643	15	270
16 x 16 x 34	2.800	15	135
16 <sup>1</sup> / <sub>8</sub> x 10 <sup>3</sup> / <sub>4</sub> x 8	.885	25	500
17 x 7 x 7	.599	25	750
17 x 11 x 2 <sup>5</sup> / <sub>8</sub>	.671	25	500
17 x 15 x 8 <sup>1</sup> / <sub>2</sub> (with extra scores at 2 <sup>1</sup> / <sub>2</sub> "-4 <sup>1</sup> / <sub>2</sub> "-6 <sup>1</sup> / <sub>2</sub> "	1.356	25	250
17 <sup>1</sup> / <sub>8</sub> x 11 <sup>1</sup> / <sub>8</sub> x 10	1.143	25	500
17 <sup>1</sup> / <sub>2</sub> x 11 <sup>1</sup> / <sub>2</sub> x 10 <sup>1</sup> / <sub>4</sub> (Letterhead)	1.147	25	500
17 <sup>1</sup> / <sub>2</sub> x 11 <sup>1</sup> / <sub>2</sub> x 11 <sup>1</sup> / <sub>2</sub> (Heavy Duty) (Letterhead)	1.739	25	500
18 x 12 x 12 (Heavy Duty)	1.867	20	240
18 x 11 x 5 <sup>7</sup> / <sub>8</sub> (Heavy Duty)	1.280	25	500
18 x 11 x 10 <sup>3</sup> / <sub>8</sub> (Heavy Duty)	1.610	25	500
18 x 14 <sup>3</sup> / <sub>4</sub> x 7 <sup>9</sup> / <sub>16</sub> (Heavy Duty)	1.887	20	240
18 x 14 <sup>3</sup> / <sub>4</sub> x 15 <sup>7</sup> / <sub>8</sub> (Heavy Duty)	2.587	15	270
18 x 18 x 18 (Heavy Duty)	3.329	10	120
18 <sup>1</sup> / <sub>2</sub> x 18 <sup>1</sup> / <sub>2</sub> x 36	3.539	10	130
18 <sup>5</sup> / <sub>8</sub> x 12 <sup>1</sup> / <sub>2</sub> x 7 <sup>1</sup> / <sub>2</sub>	1.120	25	500
18 <sup>3</sup> / <sub>4</sub> x 10 <sup>3</sup> / <sub>4</sub> x 9 <sup>1</sup> / <sub>2</sub>	1.057	25	500
19 x 12 x 4	.869	25	500
19 x 14 x 14 <sup>3</sup> / <sub>4</sub> (with extra score at 12 <sup>3</sup> / <sub>4</sub> "	1.709	25	250
19 x 14 <sup>1</sup> / <sub>4</sub> x 23 <sup>7</sup> / <sub>8</sub>	2.270	15	135
19 <sup>3</sup> / <sub>4</sub> x 14 <sup>3</sup> / <sub>4</sub> x 10 <sup>1</sup> / <sub>8</sub>	1.544	25	250
20 x 12 x 10	1.267	25	250
20 x 15 x 8 <sup>1</sup> / <sub>2</sub>	1.481	25	250
20 x 18 x 22	2.708	15	135
20 x 20 x 20 (Heavy Duty)	4.090	10	130
20 <sup>1</sup> / <sub>2</sub> x 20 <sup>1</sup> / <sub>2</sub> x 10 <sup>1</sup> / <sub>4</sub>	2.251	15	270
20 <sup>1</sup> / <sub>2</sub> x 20 <sup>1</sup> / <sub>2</sub> x 20 <sup>1</sup> / <sub>2</sub>	2.990	15	135
21 <sup>3</sup> / <sub>8</sub> x 16 <sup>5</sup> / <sub>8</sub> x 24	2.704	10	130
21 <sup>7</sup> / <sub>8</sub> x 17 <sup>7</sup> / <sub>8</sub> x 19 <sup>7</sup> / <sub>8</sub> (Heavy Duty)	3.846	10	130
22 <sup>1</sup> / <sub>16</sub> x 17 <sup>3</sup> / <sub>4</sub> x 10 <sup>1</sup> / <sub>16</sub> (Doublewall)	3.192	10	160
22 <sup>1</sup> / <sub>16</sub> x 17 <sup>3</sup> / <sub>4</sub> x 15 <sup>9</sup> / <sub>16</sub> (Doublewall)	3.811	10	80
22 <sup>1</sup> / <sub>4</sub> x 18 x 7 <sup>9</sup> / <sub>16</sub> (Heavy Duty)	2.640	15	270
22 <sup>1</sup> / <sub>4</sub> x 19 <sup>5</sup> / <sub>8</sub> x 12 <sup>1</sup> / <sub>4</sub>	2.377	15	135
22 <sup>1</sup> / <sub>2</sub> x 22 <sup>1</sup> / <sub>2</sub> x 13	2.841	15	135
24 x 9 x 9	1.052	25	500
24 x 10 x 15	1.528	25	250
24 x 12 x 12 (Heavy Duty)	2.229	15	270
24 x 16 x 2 <sup>5</sup> / <sub>8</sub>	1.344	25	250
24 x 18 x 12 (Heavy Duty)	3.222	10	120
12 <sup>1</sup> / <sub>2</sub> x 12 <sup>1</sup> / <sub>2</sub> x 4	.723	25	700
25 <sup>1</sup> / <sub>2</sub> x 14 x 8 <sup>1</sup> / <sub>8</sub>	1.573	25	250

GET QUOTE NOW

Inside Dimensions L x W x D		Wt. Per Each	No. Per Bundle	No. Per Full Pallet
13 x 9 x 3 <sup>3</sup> / <sub>4</sub>		.498	25	1050
26 x 15 x 3		1.336	25	250
27 x 27 x 36	<b>(Doublewall)</b>	9.570	5	80
27 <sup>5</sup> / <sub>8</sub> x 15 <sup>5</sup> / <sub>8</sub> x 11 <sup>3</sup> / <sub>8</sub>		2.056	15	270
30 x 15 x 15	<b>(Heavy Duty)</b>	3.464	10	130
30 x 24 x 24	(Max. U.P.S.)	4.508	5	135
30 <sup>1</sup> / <sub>2</sub> x 18 <sup>1</sup> / <sub>2</sub> x 18 <sup>1</sup> / <sub>2</sub>	<b>(Heavy Duty)</b>	4.629	5	135
31 x 16 x 14		2.479	15	135
32 x 10 x 6		1.218	25	375
32 x 15 <sup>5</sup> / <sub>8</sub> x 24 <sup>3</sup> / <sub>4</sub>		3.367	10	130
32 x 15 <sup>5</sup> / <sub>8</sub> x 30 <sup>5</sup> / <sub>8</sub>		3.855	10	130
36 x 10 x 6		1.342	25	375
36 x 20 x 7		2.690	10	130
36 x 21 x 20	<b>(Heavy Duty)</b>	5.928	5	135
36 x 24 x 24		5.008	5	135
36 <sup>3</sup> / <sub>8</sub> x 21 <sup>7</sup> / <sub>8</sub> x 19 <sup>7</sup> / <sub>8</sub>	<b>(Heavy Duty)</b>	6.178	5	135
37 x 14 x 21		3.122	10	130
39 x 20 x 36	<b>(Doublewall)</b>	9.303	5	80
16 x 8 x 4		.528	25	750
22 x 12 x 10		1.348	25	250
22 x 15 x 10		1.661	20	240
25 x 15 x 12		1.901	20	240
12 x 7 x 7		.476	25	700
13 x 11 x 9		.844	25	500
15 x 11 x 11		1.004	25	500
8 <sup>1</sup> / <sub>2</sub> x 8 <sup>1</sup> / <sub>2</sub> x 8		.500	25	1050
25 x 19 x 10		2.246	15	135
11 <sup>1</sup> / <sub>2</sub> x 9 <sup>1</sup> / <sub>2</sub> x 6	(with extra scores at 4")	.572	25	1050
17 <sup>1</sup> / <sub>4</sub> x 12 <sup>3</sup> / <sub>4</sub> x 5 <sup>7</sup> / <sub>8</sub>		.973	25	500
15 <sup>1</sup> / <sub>4</sub> x 10 <sup>1</sup> / <sub>8</sub> x 9 <sup>5</sup> / <sub>8</sub>	(with extra scores at 7 <sup>5</sup> / <sub>8</sub> ")	.879	25	500
12 <sup>1</sup> / <sub>4</sub> x 12 <sup>1</sup> / <sub>4</sub> x 12	(with extra scores at 10")	1.027	25	500
16 x 12 x 12	<b>(Doublewall)</b>	1.935	15	300
16 <sup>3</sup> / <sub>4</sub> x 12 <sup>1</sup> / <sub>2</sub> x 12 <sup>1</sup> / <sub>2</sub>		1.311	25	500
20 x 14 x 8	<b>(Doublewall)</b>	2.144	15	150
20 x 16 x 16		2.031	20	240
20 x 20 x 48		4.652	5	135
22 x 18 x 6		1.698	20	240
24 x 14 x 12		1.717	20	240
24 x 16 x 8		1.684	20	240
24 x 24 x 24	(with extra scores at 18"-20"-22")	3.931	10	130
36 x 36 x 36	<b>(Doublewall)</b>	14.365	1	80
17 <sup>1</sup> / <sub>4</sub> x 11 <sup>1</sup> / <sub>8</sub> x 8 <sup>3</sup> / <sub>4</sub>	(Letterhead)	.997	25	500
17 <sup>1</sup> / <sub>2</sub> x 11 <sup>1</sup> / <sub>4</sub> x 11 <sup>1</sup> / <sub>4</sub>	(Letterhead)	1.158	25	500
17 <sup>1</sup> / <sub>4</sub> x 14 <sup>1</sup> / <sub>4</sub> x 10 <sup>3</sup> / <sub>4</sub>	(Letterhead)	1.401	25	250
18 x 12 x 12	<b>(Doublewall)</b>	2.070	15	150
14 x 14 x 14	<b>(Doublewall)</b>	2.244	15	150
30 x 15 x 15	<b>(Doublewall)</b>	3.825	10	80
10 x 10 x 10	<b>(Doublewall)</b>	1.176	15	300
17 <sup>1</sup> / <sub>4</sub> x 14 <sup>1</sup> / <sub>4</sub> x 12 <sup>1</sup> / <sub>2</sub>	(Letterhead)	1.509	25	250
18 x 14 x 12	<b>(Doublewall)</b>	2.387	15	150
30 x 20 x 9		2.527	15	135
17 <sup>3</sup> / <sub>4</sub> x 14 <sup>1</sup> / <sub>2</sub> x 11 <sup>1</sup> / <sub>8</sub>	(Letterhead)	1.480	25	250
21 <sup>3</sup> / <sub>8</sub> x 15 <sup>5</sup> / <sub>8</sub> x 6 <sup>3</sup> / <sub>8</sub>		1.455	15	270
5 x 5 x 3		.148	25	3500
28 x 28 x 40		6.588	5	135
26 x 16 x 10		1.914	15	270
6 x 3 x 3		.085	25	4200
20 x 20 x 13		2.343	15	135
16 x 16 x 11		1.544	20	240
20 x 16 x 8		1.543	25	250
20 x 20 x 11		2.202	15	135
22 x 22 x 7		2.252	15	135
30 x 13 x 13		1.960	15	270
20 x 16 x 22		2.432	15	135

GET QUOTE NOW

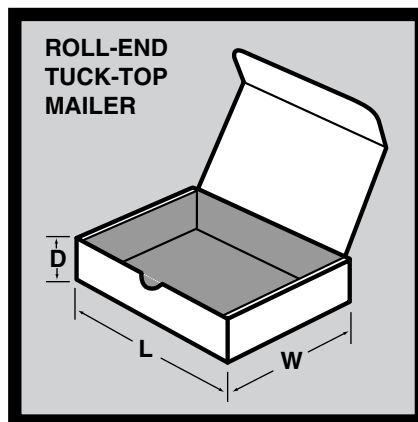
Inside Dimensions L x W x D	Wt. Per Each	No. Per Bundle	No. Per Full Pallet
25 <sup>5</sup> / <sub>8</sub> x 25 <sup>5</sup> / <sub>8</sub> x 25 <sup>1</sup> / <sub>4</sub> (Doublewall)	7.198	5	80
17 <sup>1</sup> / <sub>4</sub> x 11 <sup>1</sup> / <sub>4</sub> x 10 <sup>1</sup> / <sub>4</sub> (Letterhead)	1.099	25	500
13 <sup>5</sup> / <sub>8</sub> x 6 <sup>3</sup> / <sub>4</sub> x 7 <sup>3</sup> / <sub>4</sub>	.528	25	1050
29 <sup>1</sup> / <sub>2</sub> x 14 <sup>1</sup> / <sub>2</sub> x 22 <sup>1</sup> / <sub>2</sub>	2.800	10	130
24 x 14 x 10	1.604	20	240
31 <sup>3</sup> / <sub>8</sub> x 21 <sup>5</sup> / <sub>8</sub> x 12 <sup>5</sup> / <sub>8</sub>	3.156	10	130
22 x 22 x 30	3.969	10	130
18 x 18 x 27 (Doublewall)	4.584	5	80
16 x 14 x 5	.994	25	500
29 x 17 x 20	2.975	10	130
8 x 8 x 7	.426	25	1575
14 x 14 x 4	.875	25	500
22 x 12 x 12	1.461	25	250
22 x 15 x 15	1.976	15	270
24 x 18 <sup>1</sup> / <sub>4</sub> x 20	2.857	10	130
28 x 11 x 9	1.400	25	250
30 x 20 x 25	3.966	5	135
36 x 11 <sup>1</sup> / <sub>2</sub> x 11 <sup>1</sup> / <sub>2</sub>	1.952	20	240
36 x 36 x 42	9.811	1	130
15 x 13 x 7	.975	25	500

[GET QUOTE NOW](#)

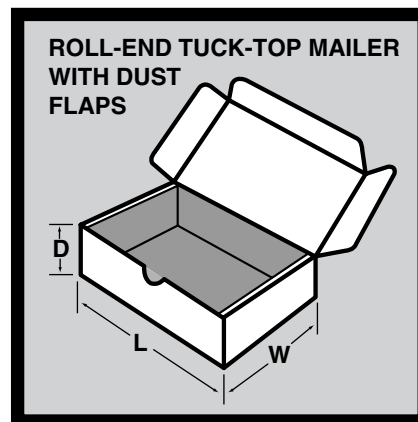
# CORRUGATED MAILERS (DIE-CUT)

32 ECT #3 WHITE OUTSIDE

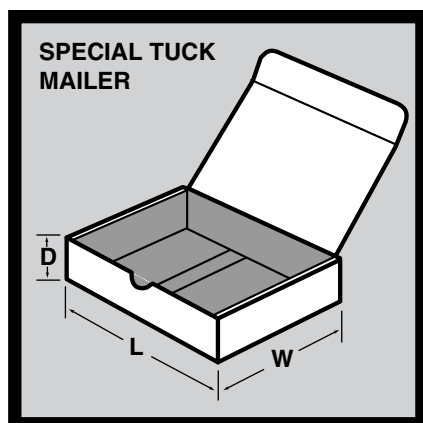
Furnished flat — Rigid self-locking design sets up in seconds — Perfect for shipping and mailing, shelf display or storage — All dimensions are inside dimensions.



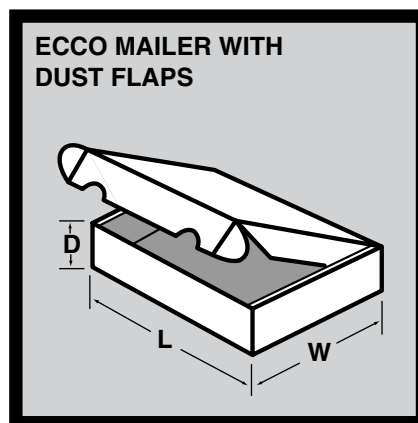
RETT



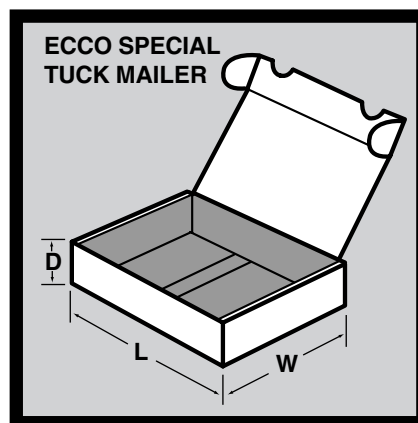
RETT/DF



ST



ECCO/DF



ECCO/ST

**Inside Dimensions**  
L x W x D

Style	Wt. Per Each	No. Per Bundle	No. Per Full Pallet
RETT/DF	.149	50	3150
RETT	.297	50	1400
RETT	.425	50	1400
RETT/DF	.363	50	1400
RETT	.360	50	1400
ST	.125	50	3150
ST	.174	50	3150
RETT	.254	50	1400
ST	.218	50	2100
RETT	.258	50	1400
RETT	.192	50	2100
RETT	.060	50	4200
RETT	.086	50	4200
RETT	.112	50	4200
RETT	.135	50	2100
RETT/DF	.241	50	1400
RETT	.183	50	1400
RETT	.123	50	2100
RETT	.396	50	1400
RETT	.147	50	2100
RETT	.193	50	1400
RETT	.245	50	1400
RETT/DF	.367	50	700
RETT	.030	50	5250
RETT	.094	50	4200
RETT	.074	50	5250

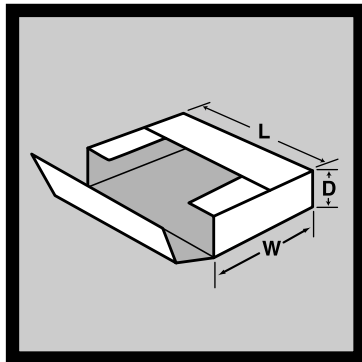
GET QUOTE NOW

Inside Dimensions L x W x D	Style	Wt. Per Each	No. Per Bundle	No. Per Full Pallet
7 x 4 x 4	RETT	.205	50	1750
5 x 5 x 3	RETT	.145	50	3150
9 <sup>3</sup> / <sub>8</sub> x 5 <sup>1</sup> / <sub>4</sub> x 2 <sup>1</sup> / <sub>2</sub>	RETT	.201	50	2100
9 <sup>3</sup> / <sub>8</sub> x 7 <sup>1</sup> / <sub>4</sub> x 2 <sup>1</sup> / <sub>2</sub>	RETT	.253	50	1400
3 x 3 x 3	ST	.088	50	3150
6 <sup>1</sup> / <sub>4</sub> x 4 <sup>1</sup> / <sub>4</sub> x 1 <sup>1</sup> / <sub>2</sub>	RETT/DF	.108	50	3150
6 x 3 x 3	ST	.126	50	4200
12 <sup>1</sup> / <sub>4</sub> x 9 <sup>1</sup> / <sub>4</sub> x 2	RETT	.321	50	1400
12 <sup>1</sup> / <sub>4</sub> x 9 <sup>1</sup> / <sub>4</sub> x 4	RETT	.465	50	700
3 <sup>3</sup> / <sub>4</sub> x 3 <sup>1</sup> / <sub>2</sub> x 2 <sup>5</sup> / <sub>8</sub> (200 Trading Cards)	ECCO/ST	.109	50	4200
5 x 4 x 2	RETT	.101	50	3150
4 x 3 x 2	RETT/DF	.078	50	4200
6 <sup>1</sup> / <sub>2</sub> x 3 <sup>3</sup> / <sub>4</sub> x 1 <sup>1</sup> / <sub>2</sub>	RETT	.092	50	4200
5 x 3 x 2	RETT	.079	50	4200
6 x 4 <sup>1</sup> / <sub>2</sub> x 2 <sup>1</sup> / <sub>4</sub>	RETT	.124	50	2100
5 <sup>1</sup> / <sub>2</sub> x 4 x 2	RETT	.102	50	3150
6 <sup>5</sup> / <sub>8</sub> x 4 <sup>1</sup> / <sub>8</sub> x 3 <sup>5</sup> / <sub>8</sub>	RETT/DF	.195	50	1400
3 x 2 x 2	RETT	.052	50	8750
3 <sup>5</sup> / <sub>8</sub> x 2 <sup>11</sup> / <sub>16</sub> x 2 <sup>1</sup> / <sub>16</sub> (250 Calling Cards)	RETT	.062	50	5600
4 x 2 x 2	RETT	.059	50	7000
5 x 2 x 2	RETT	.066	50	7000
5 x 3 x 3	RETT	.101	50	3150
5 x 4 x 3	RETT	.124	50	3150
6 x 3 x 2	RETT	.085	50	4200
6 x 6 x 1	RETT	.104	50	4200
7 x 3 x 2	RETT	.094	50	4200
7 x 4 x 2	RETT	.115	50	3150
7 x 6 <sup>1</sup> / <sub>2</sub> x 1 <sup>7</sup> / <sub>8</sub>	RETT	.160	50	2100
8 x 3 x 2	RETT	.104	50	2800
8 x 4 x 2	RETT	.125	50	2800
8 x 4 x 3	RETT	.157	50	2100
7 <sup>1</sup> / <sub>2</sub> x 4 <sup>1</sup> / <sub>4</sub> x 1 <sup>1</sup> / <sub>16</sub> (VHS Video Cassette)	ECCO/DF	.110	50	4200
9 x 2 x 2	RETT	.094	50	3500
9 x 3 x 3	RETT	.142	50	2100
8 <sup>1</sup> / <sub>8</sub> x 4 <sup>3</sup> / <sub>4</sub> x 1 <sup>3</sup> / <sub>16</sub> (VHS Video Cassette)	ECCO/DF	.126	50	3150
10 x 2 x 2	RETT	.103	50	2800
10 x 3 x 2	RETT	.121	50	2800
8 <sup>1</sup> / <sub>4</sub> x 8 <sup>1</sup> / <sub>4</sub> x 1 <sup>3</sup> / <sub>4</sub>	RETT	.221	50	2100
10 x 4 x 2	RETT	.145	50	2100
10 x 4 x 3	RETT	.180	50	2100
10 <sup>1</sup> / <sub>8</sub> x 4 <sup>1</sup> / <sub>8</sub> x 3 <sup>1</sup> / <sub>2</sub>	RETT/DF	.235	50	1400
10 <sup>5</sup> / <sub>8</sub> x 3 <sup>5</sup> / <sub>8</sub> x 2 <sup>1</sup> / <sub>16</sub> (1000 Calling Cards)	RETT	.146	50	2100
11 <sup>1</sup> / <sub>8</sub> x 4 <sup>1</sup> / <sub>2</sub> x 2 <sup>5</sup> / <sub>8</sub>	RETT/DF	.221	50	1400
9 x 5 <sup>1</sup> / <sub>2</sub> x 1 <sup>1</sup> / <sub>4</sub> (VHS Video Cassette)	ECCO/DF	.159	50	3150
12 <sup>1</sup> / <sub>4</sub> x 6 <sup>1</sup> / <sub>2</sub> x 4 <sup>1</sup> / <sub>8</sub>	RETT/DF	.401	50	700
12 <sup>1</sup> / <sub>2</sub> x 5 x 3	RETT	.243	50	1400
20 <sup>5</sup> / <sub>8</sub> x 6 <sup>5</sup> / <sub>8</sub> x 4 <sup>1</sup> / <sub>8</sub>	RETT/DF	.565	25	700
6 x 4 x 2	ECCO/DF	.126	50	3150
8 x 6 x 1 <sup>1</sup> / <sub>2</sub>	ECCO/DF	.170	50	2100
12 x 8 x 1 <sup>1</sup> / <sub>2</sub>	ECCO/DF	.273	50	1400
12 x 12 x 1 <sup>1</sup> / <sub>2</sub>	ECCO/DF	.377	50	1400
16 x 12 x 1 <sup>1</sup> / <sub>2</sub>	ECCO/DF	.461	25	1400
18 x 12 x 1 <sup>1</sup> / <sub>2</sub>	ECCO/DF	.505	25	700
20 x 10 x 2 <sup>1</sup> / <sub>4</sub>	ECCO/DF	.558	25	700
4 x 3 x 3	ST	.101	50	3150
7 x 3 x 3	ST	.138	50	3150
9 x 6 x 3 <sup>1</sup> / <sub>2</sub> (Special Style Security Mailer)		.432	50	700
8 x 5 x 1 <sup>1</sup> / <sub>4</sub> (VHS Video Cassette)	ECCO/DF	.133	50	3150
3 <sup>1</sup> / <sub>4</sub> x 3 <sup>1</sup> / <sub>4</sub> x 1 <sup>1</sup> / <sub>2</sub>	ECCO/DF	.068	50	7000
4 x 3 x 1 <sup>1</sup> / <sub>2</sub>	ECCO/DF	.070	50	7000
4 <sup>1</sup> / <sub>2</sub> x 3 <sup>3</sup> / <sub>8</sub> x 1 <sup>1</sup> / <sub>16</sub>	RETT	.058	50	7000
5 <sup>1</sup> / <sub>2</sub> x 3 x 2 <sup>1</sup> / <sub>2</sub>	ST	.109	50	3150
6 <sup>1</sup> / <sub>2</sub> x 4 <sup>1</sup> / <sub>2</sub> x 4	ST	.211	50	2100
7 <sup>1</sup> / <sub>2</sub> x 7 <sup>1</sup> / <sub>2</sub> x 2	ECCO/DF	.226	50	2100

**GET QUOTE NOW**

Inside Dimensions L x W x D	Style	Wt. Per Each	No. Per Bundle	No. Per Full Pallet
11 1/2 x 9 x 2 1/8	ECCO/DF	.346	50	1400
10 x 10 x 2	RETT	.307	50	1400
11 x 6 1/2 x 2 3/4	RETT	.266	50	1400
12 x 3 x 3	ECCO/ST	.214	50	2100
14 x 3 x 3	ECCO/ST	.238	50	2100
15 1/8 x 8 3/4 x 2 (For 14 7/8" x 8 1/2" Snapout)	RETT	.368	50	1400
15 1/8 x 8 3/4 x 3 (and Continuous Forms)	RETT	.429	50	1400
15 1/8 x 11 1/4 x 2 (For 14 7/8" x 11" Snapout)	RETT	.450	50	1400
15 1/8 x 11 1/4 x 3 (and Continuous Forms)	RETT	.525	50	700
15 7/8 x 3 3/4 x 2 5/8 (930 Trading Cards)	ECCO/ST	.273	50	2100
13 1/2 x 13 1/2 x 2	ECCO/DF	.523	50	700
19 x 12 x 2 1/2	RETT	.606	25	700
10 x 3 x 3	ST	.171	50	2100
9 x 6 x 3 1/2	ECCO/ST	.358	50	1400
13 x 10 x 2	RETT/DF	.393	50	1400
17 x 11 x 2 1/2	RETT/DF	.567	25	700
19 x 12 x 3	RETT/DF	.716	25	700
23 x 13 x 3 1/2	RETT/DF	.937	25	350
15 x 11 x 2	RETT/DF	.462	50	700
23 x 13 x 2 1/2	RETT/DF	.790	25	350

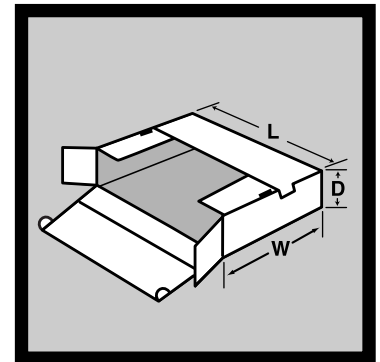
[GET QUOTE NOW](#)



F, VDF

**CORRUGATED (DIE-CUT)  
ONE-PIECE FOLDERS,  
SELF-LOCKING FOLDERS,  
AND VARI-DEPTH FOLDERS**  
32 ECT #3 WHITE OUTSIDE

*Ideal for shipping and mailing of books, stationery, photos, binders, records and disks — Furnished flat — set up and seal in seconds with tape or glue — Vari-Depth Folders keep inventory of sizes to a minimum — All dimensions are inside dimensions.*



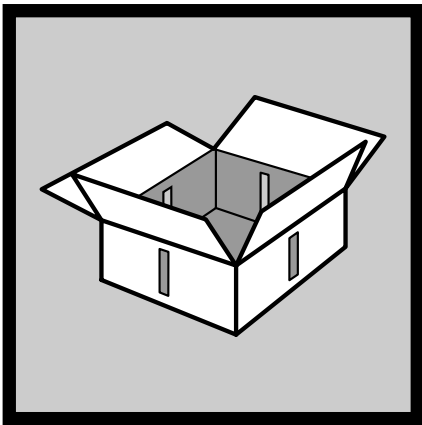
SLF

Inside Dimensions L x W x D		Wt. Per Each	No. Per Bundle	No. Per Full Pallet
8 1/2 x 6 x 1 1/2		.131	50	2100
9 1/2 x 6 1/2 x 2		.165	50	3150
11 1/4 x 8 3/4 x 1	(Letter Size)	.208	50	2100
12 1/2 x 12 1/2 x 1	(Record Size)	.314	50	1400
11 1/4 x 8 3/4 x 1/2	(Letter Size)	.194	50	2100
12 1/2 x 12 1/2 x 2	(Record Size)	.351	50	1050
12 1/2 x 12 1/2 x 3	(Record Size)	.398	50	700
17 x 17 x 2		.605	50	700
11 1/4 x 8 3/4 x 2	(Letter Size)	.239	50	1400
12 x 10 1/2 x 2	(2" Binder Size)	.292	50	1400
12 1/2 x 12 1/2 x 4	(Record Size)	.423	50	700
8 1/2 x 8 1/16 x 1/2		.172	50	2100
8 1/2 x 8 1/16 x 1		.183	50	2100
12 x 11 1/2 x 3	(3" Binder Size)	.350	50	1050
15 x 15 x 2		.475	50	700
16 x 16 x 2		.531	50	700
5 1/16 x 5 3/8 x 1/2		.081	50	5600
11 3/4 x 10 1/2 x 1 3/4	(Binder Size)	.288	50	1400
11 1/2 x 10 1/2 x 2 1/4		.324	50	1400
11 1/2 x 11 x 3		.375	50	1400

[GET QUOTE NOW](#)

Inside Dimensions L x W x D	Wt. Per Each	No. Per Bundle	No. Per Full Pallet
15 x 15 x 2	.511	50	700
10 x 7 x 2	.208	50	1400
8 1/2 x 6 1/2 x 1/2-2 (5 x 7 Picture Frame Vari-depth)	.152	50	2100
9 1/2 x 6 1/2 x 1/2-2 (Vari-depth)	.165	50	2100
12 1/4 x 9 1/4 x 1/2-2 (Vari-depth)	.267	50	1400
11 1/2 x 9 1/2 x 1/2-2 (8 x 10 Picture Frame Vari-depth)	.260	50	1400
12 1/2 x 12 1/2 x 1/2-2 (Vari-depth) (Record Size)	.351	50	1050
11 1/4 x 8 3/4 x 1/2-2 (Letter Size Vari-depth)	.239	50	1400
12 1/2 x 12 1/2 x 1/4-1 (Vari-depth) (Record Size)	.314	50	1400
15 x 9 1/4 x 1/2-2 (Vari-depth)	.313	50	1400
15 x 11 1/2 x 1/2-2 (Vari-depth)	.376	50	700
10 1/4 x 8 1/4 x 1/2-2 (Vari-depth)	.216	50	1400
10 1/4 x 10 1/4 x 1/2-2 (Vari-depth)	.265	50	1400
17 3/4 x 11 1/2 x 1/2-2 (Letterhead Vari-depth)	.445	50	1400
17 3/4 x 14 1/2 x 1/2-2 (Letterhead Vari-depth)	.542	50	700
7 1/2 x 5 x 1/2-2 (Vari-depth)	.118	50	3150
14 x 14 x 1/2-2 (Vari-depth)	.438	50	700
16 x 12 1/4 x 1/2-2 (Vari-depth)	.431	50	700
6 1/2 x 6 1/2 x 1/2-2 (Vari-depth)	.128	50	2100
5 5/8 x 5 x 7/16-1-3/4 (Compact Disk Vari-depth)	.090	50	3150
5 1/16 x 5 3/8 x 1/2-2 (5 1/4 Floppy Disk Vari-depth)	.100	50	3150
8 1/2 x 8 1/16 x 1/2-2 (Vari-depth)	.189	50	2100
9 1/8 x 9 1/8 x 1 1/2-4 (Vari-depth)	.274	50	1400
12 x 11 1/2 x 1/2-3 (Vari-depth)	.358	50	1050
8 1/2 x 6 x 1/2-2 (Vari-depth)	.145	50	2100

**GET QUOTE NOW**

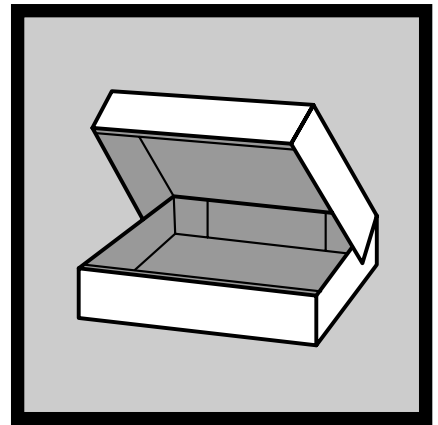


**MP1**

**CORRUGATED  
MEAT PATTIE  
BOXES**

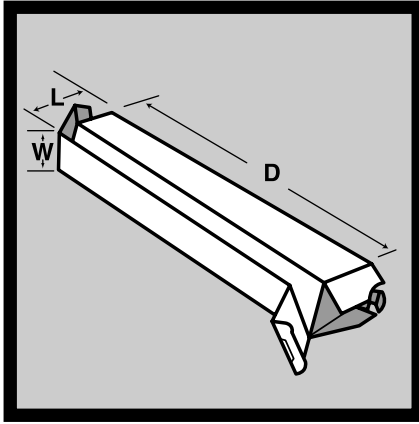
**32 ECT #3 WHITE OUTSIDE**

*For storage and shipping ground or processed meats — Vent slots provide air circulation when refrigerated — Furnished flat — Seal with tape, glue or staples — All dimensions are inside dimensions.*



**MP3**

Inside Dimensions L x W x D	Wt. Per Each	No. Per Bundle	No. Per Full Pallet
10 x 10 x 5 (R.S.C. with vent slots)	.472	25	1050
15 1/2 x 10 x 3 1/4 (Die Cut Steak Box)	.631	50	700

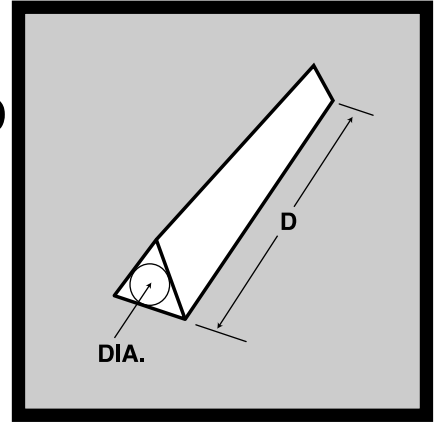


FPF

**CORRUGATED (DIE-CUT)  
SELF-LOCKING FIVE  
PANEL FOLDERS AND  
TRIANGLE TUBES**

**32 ECT #3 WHITE OUTSIDE**

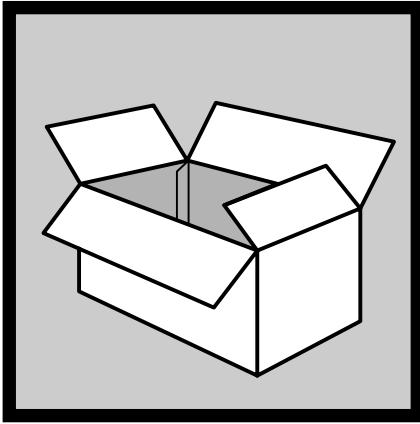
*Ideal for mailing rolled material such as Blueprints, Posters, Calendars or Charts — Self-locking ends provide easy opening and closing — Furnished flat — All dimensions are inside dimensions.*



TRI

Inside Dimensions L x W x D	Wt. Per Each	No. Per Bundle	No. Per Full Pallet
2 x 2 x 8	.079	50	5600
2 x 2 x 12 <sup>1</sup> / <sub>4</sub>	.112	50	2800
2 x 2 x 18 <sup>1</sup> / <sub>4</sub>	.159	50	2800
2 x 2 x 25 <sup>1</sup> / <sub>4</sub>	.214	50	1750
3 x 3 x 8	.126	50	2100
3 x 3 x 12 <sup>1</sup> / <sub>4</sub>	.175	50	2100
3 x 3 x 18 <sup>1</sup> / <sub>4</sub>	.243	50	2100
3 x 3 x 25 <sup>1</sup> / <sub>4</sub>	.323	50	1050
3 x 3 x 30 <sup>1</sup> / <sub>4</sub>	.380	50	1400
3 x 3 x 37 <sup>1</sup> / <sub>4</sub>	.460	50	1050
2 <sup>1</sup> / <sub>2</sub> x 2 <sup>1</sup> / <sub>2</sub> x 8	.102	50	3150
2 <sup>1</sup> / <sub>2</sub> x 2 <sup>1</sup> / <sub>2</sub> x 12 <sup>1</sup> / <sub>4</sub>	.142	50	2100
2 <sup>1</sup> / <sub>2</sub> x 2 <sup>1</sup> / <sub>2</sub> x 25 <sup>1</sup> / <sub>4</sub>	.267	50	1400
3 <sup>1</sup> / <sub>2</sub> x 3 <sup>1</sup> / <sub>2</sub> x 30 <sup>1</sup> / <sub>4</sub>	.458	50	700
3 <sup>1</sup> / <sub>2</sub> x 3 <sup>1</sup> / <sub>2</sub> x 25 <sup>1</sup> / <sub>4</sub>	.381	50	1050
3 <sup>1</sup> / <sub>2</sub> x 3 <sup>1</sup> / <sub>2</sub> x 37 <sup>1</sup> / <sub>4</sub>	.541	50	700
2 <sup>1</sup> / <sub>2</sub> x 2 <sup>1</sup> / <sub>2</sub> x 18 <sup>1</sup> / <sub>4</sub>	.202	50	2100
3 <sup>1</sup> / <sub>2</sub> x 3 <sup>1</sup> / <sub>2</sub> x 18 <sup>1</sup> / <sub>4</sub>	.290	50	1400
2 DIA. x 12 <sup>1</sup> / <sub>4</sub>	.170	50	2100
3 DIA. x 30 <sup>1</sup> / <sub>4</sub>	.565	50	700
2 <sup>1</sup> / <sub>2</sub> DIA. x 30 <sup>1</sup> / <sub>4</sub>	.460	50	700
2 <sup>1</sup> / <sub>2</sub> DIA. x 37 <sup>1</sup> / <sub>4</sub>	.554	50	700
3 DIA. x 18 <sup>1</sup> / <sub>4</sub>	.368	50	1400
3 DIA. x 25 <sup>1</sup> / <sub>4</sub>	.480	50	700

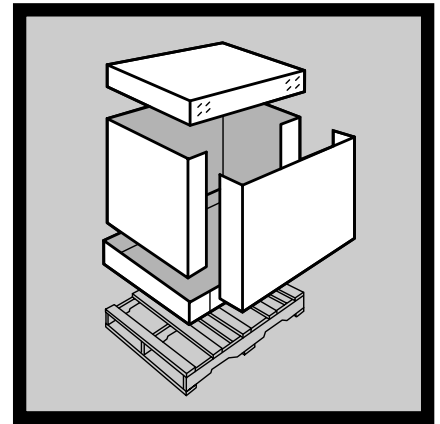
**GET QUOTE NOW**



**STYLES E, EH, QD**

## CORRUGATED BULK CONTAINERS

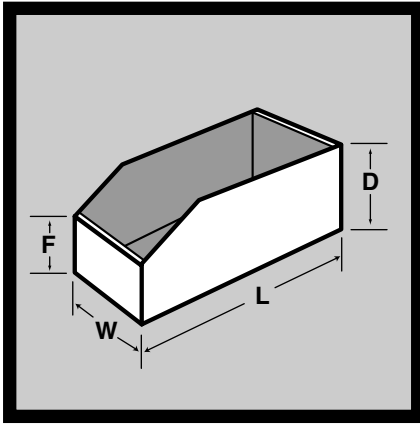
Seal with tape, glue or staples —  
Used for air freight and truck freight  
consolidation — Meets all Domestic  
and Air Transport Association  
standards — All dimensions are  
outside dimensions.



**STYLES D, TRUCK PACK**

Outside Dimensions L x W x D	Style	Wt. Per Each
42 x 29 x 25 <sup>1</sup> / <sub>2</sub> A.T.A. 425# Doublewall Brown, R.S.C. (Inside Dimensions 41 <sup>5</sup> / <sub>16</sub> x 28 <sup>3</sup> / <sub>16</sub> x 24 <sup>1</sup> / <sub>8</sub> )	<b>E</b>	<b>15</b>
42 x 29 x 25 <sup>1</sup> / <sub>2</sub> A.T.A. Heavy Duty T-Wall Brown, R.S.C. (Inside Dimensions 41 <sup>1</sup> / <sub>4</sub> x 28 <sup>1</sup> / <sub>2</sub> x 24 <sup>1</sup> / <sub>8</sub> )	<b>E</b>	<b>20</b>
58 x 41 x 45 with Wooden Pallet A.T.A. 425# Doublewall Brown (Inside Dimensions 55 <sup>3</sup> / <sub>8</sub> x 38 <sup>1</sup> / <sub>2</sub> x 39 <sup>1</sup> / <sub>4</sub> )	<b>D</b>	<b>60</b>
42 x 29 x 25 <sup>1</sup> / <sub>2</sub> A.T.A. 200# Doublewall Brown, F.O.L. Bottom and R.S.C. Top (Inside Dimensions 41 <sup>5</sup> / <sub>16</sub> x 28 <sup>3</sup> / <sub>16</sub> x 23 <sup>7</sup> / <sub>8</sub> )	<b>E</b>	<b>12</b>
42 x 29 x 25 <sup>1</sup> / <sub>2</sub> A.T.A. 200# Doublewall Brown, R.S.C. (Inside Dimensions 41 <sup>5</sup> / <sub>16</sub> x 28 <sup>3</sup> / <sub>16</sub> x 24 <sup>1</sup> / <sub>8</sub> )	<b>E</b>	<b>10</b>
35 <sup>3</sup> / <sub>8</sub> x 21 x 21 A.T.A. 200# Doublewall Brown, F.O.L. Bottom & R.S.C. Top (Inside Dimensions 34 <sup>3</sup> / <sub>4</sub> x 20 <sup>3</sup> / <sub>8</sub> x 19 <sup>3</sup> / <sub>8</sub> )	<b>EH</b>	<b>7</b>
39 <sup>1</sup> / <sub>2</sub> x 27 <sup>1</sup> / <sub>2</sub> x 21 A.T.A. 350# Doublewall Brown, R.S.C. (Inside Dimensions 38 <sup>13</sup> / <sub>16</sub> x 26 <sup>3</sup> / <sub>4</sub> x 19 <sup>3</sup> / <sub>4</sub> )	<b>QD</b>	<b>9</b>
35 <sup>3</sup> / <sub>8</sub> x 21 x 21 A.T.A. 350# Doublewall Brown, R.S.C. (Inside Dimensions 34 <sup>7</sup> / <sub>8</sub> x 20 <sup>1</sup> / <sub>4</sub> x 19 <sup>7</sup> / <sub>8</sub> )	<b>EH</b>	<b>7</b>
48 x 40 x 42 <sup>1</sup> / <sub>2</sub> with Wooden Pallet A.T.A. 425# Doublewall Brown (Inside Dimensions 46 x 37 <sup>3</sup> / <sub>4</sub> x 36 <sup>3</sup> / <sub>4</sub> )	<b>Truck Pack</b>	<b>56</b>
58 x 41 x 40 <b>without</b> Wooden Pallet A.T.A. 425# Doublewall Brown (Inside Dimensions 55 <sup>3</sup> / <sub>8</sub> x 38 <sup>1</sup> / <sub>2</sub> x 39 <sup>1</sup> / <sub>4</sub> )	<b>D</b>	<b>31</b>
48 x 40 x 37 <sup>1</sup> / <sub>2</sub> <b>without</b> Wooden Pallet A.T.A. 425# Doublewall Brown (Inside Dimensions 46 x 37 <sup>3</sup> / <sub>4</sub> x 36 <sup>3</sup> / <sub>4</sub> )	<b>Truck Pack</b>	<b>27</b>

**GET QUOTE NOW**



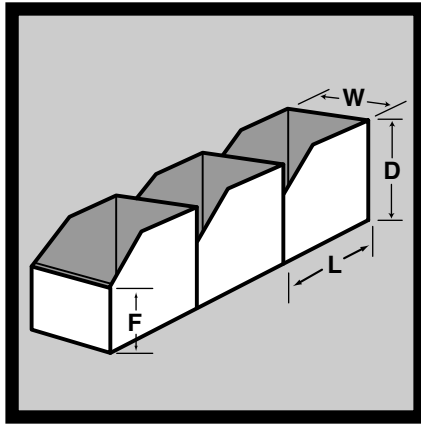
## CORRUGATED (DIE-CUT) SELF-LOCKING BIN BOXES

**32 ECT #3 WHITE OUTSIDE (UNLESS OTHERWISE NOTED)**

Use for organized storage of parts on standard shelf depths — Rigid self-locking construction — Until ready for use they store flat — Assemble in seconds — All dimensions are outside dimensions.

Outside Dimensions L x W x D		Wt. Per Each	No. Per Bundle	No. Per Full Pallet
12 x 8 x 6 (F=3 <sup>1</sup> / <sub>8</sub> )		.365	50	1400
12 x 2 x 4 <sup>1</sup> / <sub>2</sub> (F=2 <sup>5</sup> / <sub>8</sub> )		.128	50	2800
12 x 12 x 6 (F=3 <sup>3</sup> / <sub>8</sub> )		.454	50	700
12 x 4 x 4 <sup>1</sup> / <sub>2</sub> (F=2 <sup>5</sup> / <sub>8</sub> )		.186	50	2800
12 x 4 x 6 (F=3 <sup>3</sup> / <sub>8</sub> )		.240	50	1050
12 x 6 x 4 <sup>1</sup> / <sub>2</sub> (F=2 <sup>5</sup> / <sub>8</sub> )		.217	50	2100
18 x 4 x 6 (F=3 <sup>3</sup> / <sub>8</sub> )		.313	50	1050
12 x 8 x 4 <sup>1</sup> / <sub>2</sub> (F=2 <sup>5</sup> / <sub>8</sub> )		.265	50	1400
12 x 10 x 4 <sup>1</sup> / <sub>2</sub> (F=2 <sup>5</sup> / <sub>8</sub> )		.316	50	1400
18 x 8 x 10 (F=5 <sup>1</sup> / <sub>8</sub> )		.716	25	700
12 x 12 x 4 <sup>1</sup> / <sub>2</sub> (F=2 <sup>5</sup> / <sub>8</sub> )		.355	50	1400
24 x 4 x 4 <sup>1</sup> / <sub>2</sub> (F=2 <sup>5</sup> / <sub>8</sub> )		.298	50	1050
24 x 6 x 4 <sup>1</sup> / <sub>2</sub> (F=2 <sup>5</sup> / <sub>8</sub> )		.346	50	1050
24 x 8 x 4 <sup>1</sup> / <sub>2</sub> (F=2 <sup>5</sup> / <sub>8</sub> )		.412	50	1050
18 x 4 x 4 <sup>1</sup> / <sub>2</sub> (F=2 <sup>5</sup> / <sub>8</sub> )		.241	50	1400
18 x 6 x 4 <sup>1</sup> / <sub>2</sub> (F=2 <sup>5</sup> / <sub>8</sub> )		.282	50	1400
18 x 2 x 4 <sup>1</sup> / <sub>2</sub> (F=2 <sup>5</sup> / <sub>8</sub> )		.175	50	2100
18 x 8 x 4 <sup>1</sup> / <sub>2</sub> (F=2 <sup>5</sup> / <sub>8</sub> )		.339	50	1400
12 x 6 x 8 (F=4 <sup>5</sup> / <sub>8</sub> )		.407	50	700
18 x 10 x 4 <sup>1</sup> / <sub>2</sub> (F=2 <sup>5</sup> / <sub>8</sub> )		.395	50	1050
6 x 3 x 4 <sup>1</sup> / <sub>2</sub> (F=2 <sup>5</sup> / <sub>8</sub> )		.105	50	2800
6 x 4 x 4 <sup>1</sup> / <sub>2</sub> (F=2 <sup>5</sup> / <sub>8</sub> )		.129	50	2800
12 x 8 x 8 (F=4 <sup>5</sup> / <sub>8</sub> )		.472	50	700
12 x 10 x 8 (F=4 <sup>5</sup> / <sub>8</sub> )		.556	50	700
24 x 18 x 12 (F=6 <sup>1</sup> / <sub>8</sub> ) (Heavy Duty)		2.403	10	270
18 x 12 x 4 <sup>1</sup> / <sub>2</sub> (F=2 <sup>5</sup> / <sub>8</sub> )		.450	50	700
18 x 18 x 10 (F=5 <sup>1</sup> / <sub>8</sub> )		1.097	25	350
12 x 6 x 6 (F=3 <sup>3</sup> / <sub>8</sub> )		.313	50	1400
9 x 2 x 4 <sup>1</sup> / <sub>2</sub> (F=2 <sup>5</sup> / <sub>8</sub> )		.104	50	2800
9 x 4 x 4 <sup>1</sup> / <sub>2</sub> (F=2 <sup>5</sup> / <sub>8</sub> )		.158	50	2800
9 x 6 x 4 <sup>1</sup> / <sub>2</sub> (F=2 <sup>1</sup> / <sub>2</sub> )		.184	50	2100
24 x 12 x 6 <sup>1</sup> / <sub>2</sub> (F=4 <sup>3</sup> / <sub>8</sub> )		.704	25	700
15 x 4 x 4 <sup>1</sup> / <sub>2</sub> (F=2 <sup>5</sup> / <sub>8</sub> )		.214	50	1400
15 x 6 x 4 <sup>1</sup> / <sub>2</sub> (F=2 <sup>5</sup> / <sub>8</sub> )		.250	50	1400
15 x 8 x 4 <sup>1</sup> / <sub>2</sub> (F=2 <sup>5</sup> / <sub>8</sub> )		.301	50	1400
12 x 12 x 8 (F=4 <sup>5</sup> / <sub>8</sub> )		.557	50	700
18 x 6 x 10 (F=5 <sup>1</sup> / <sub>8</sub> )		.574	25	700
18 x 10 x 10 (F=5 <sup>1</sup> / <sub>8</sub> )		.772	25	700
18 x 12 x 10 (F=5 <sup>1</sup> / <sub>8</sub> )		.879	25	700
24 x 4 x 6 (F=3 <sup>3</sup> / <sub>8</sub> )		.384	50	1050
24 x 6 x 6 (F=3 <sup>1</sup> / <sub>2</sub> )		.473	50	700
24 x 8 x 6 (F=3 <sup>1</sup> / <sub>2</sub> )		.544	50	700
24 x 12 x 12 (F=6 <sup>1</sup> / <sub>8</sub> )		1.174	25	350

GET QUOTE NOW



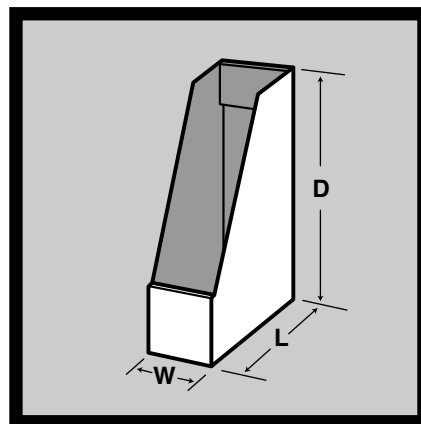
**CORRUGATED (DIE-CUT)**  
**SELF-LOCKING BIN BOX DIVIDERS**

**32 ECT #3 WHITE OUTSIDE**

*For use in Bin Boxes to form separate inserts for more efficient storage  
 Store flat — Assemble in seconds — All dimensions are outside dimensions.*

Outside Dimensions L x W x D		Wt. Per Each	No. Per Bundle	No. Per Full Pallet
$3\frac{3}{4} \times 1\frac{11}{16} \times 4\frac{1}{4}$ (F= $2\frac{3}{8}$ ) (Fits 2" Bins)		.047	50	5600
$3\frac{3}{4} \times 3\frac{1}{2} \times 4\frac{1}{4}$ (F= $2\frac{3}{8}$ ) (Fits 4" Bins)		.068	50	3500
$3\frac{3}{4} \times 5\frac{5}{8} \times 4\frac{1}{4}$ (F= $2\frac{3}{8}$ ) (Fits 6" Bins)		.101	50	3150
$3\frac{3}{4} \times 7\frac{5}{8} \times 4\frac{1}{4}$ (F= $2\frac{3}{8}$ ) (Fits 8" Bins)		.129	50	4200

**GET QUOTE NOW**

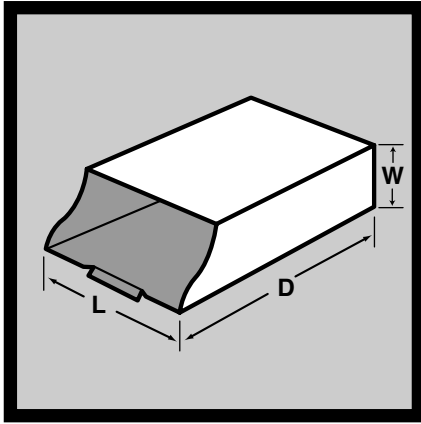


**CORRUGATED (DIE-CUT)**  
**ONE PIECE SELF-LOCKING  
 MAGAZINE-LITERATURE FILE**

**32 ECT #3 WHITE OUTSIDE**

*Furnished flat — No tape, glue or staples necessary — Assemble in seconds — Used to organize, display, and store magazines, newsletters, pamphlets, annual reports, catalogs...all types of literature — Not to be used as a shipper — All dimensions are inside dimensions.*

Inside Dimensions L x W x D		Wt. Per Each	No. Per Bundle	No. Per Full Pallet
$9\frac{1}{4} \times 4 \times 12$ (Popular Magazine & Letter Size)		.304	50	1050



**CORRUGATED (DIE-CUT)**  
**ONE PIECE SELF-LOCKING**  
**LITERATURE TRAYS**

**32 ECT #3 WHITE OUTSIDE**

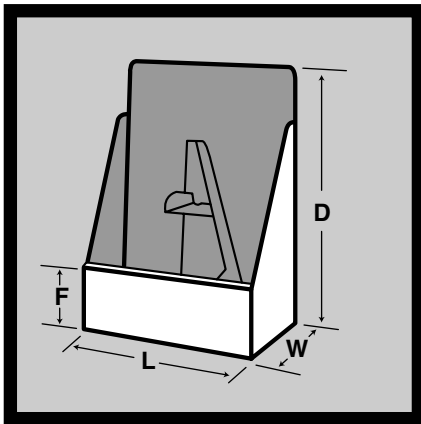
*Furnished flat — No tape, glue or staples necessary — Assemble in seconds — Used to organize your literature, storage shelves — Not to be used as a shipper — All dimensions are inside dimensions.*

**Inside Dimensions**  
**L x W x D**

**Wt. Per**    **No. Per**    **No. Per**  
**Each**      **Bundle**    **Full Pallet**

8<sup>5</sup>/<sub>8</sub> x 3<sup>1</sup>/<sub>4</sub> x 11<sup>1</sup>/<sub>4</sub> (Letter Size)

.225    50    2100



**CORRUGATED (DIE-CUT)**  
**ONE PIECE SELF-LOCKING**  
**COUNTER DISPLAY EASELS**

**200# TEST #1 WHITE TWO SIDES**

*Furnished flat — No tape, glue or staples necessary — Assemble in seconds — Used to display catalogs and other types of literature — Not to be used as a shipper — All dimensions are inside dimensions.*

**Inside Dimensions**  
**L x W x D**

**Wt. Per**    **No. Per**    **No. Per**  
**Each**      **Bundle**    **Full Pallet**

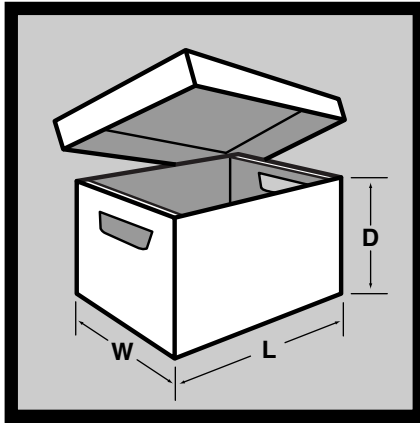
3<sup>7</sup>/<sub>8</sub> x 1<sup>3</sup>/<sub>4</sub> x 8<sup>1</sup>/<sub>2</sub> (F = 2<sup>7</sup>/<sub>16</sub>" )

.088    50    2800

8<sup>3</sup>/<sub>4</sub> x 2 x 11<sup>1</sup>/<sub>4</sub> (F = 2<sup>3</sup>/<sub>4</sub>" ) (Letter Size)

.194    50    1400

**GET QUOTE NOW**

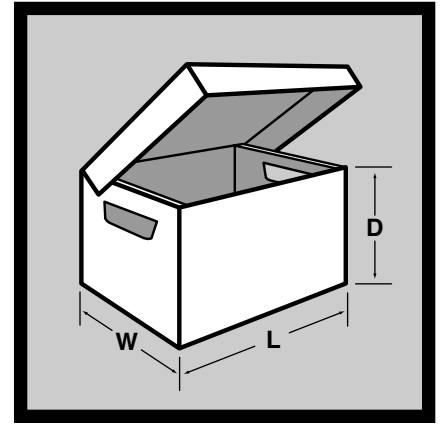


CF1, RF1, RF2, RF3

**CORRUGATED (DIE-CUT)  
SELF-LOCKING  
RECORD FILE  
BOXES WITH LID**

**200# TEST #3 WHITE OUTSIDE  
OR WOODGRAIN**

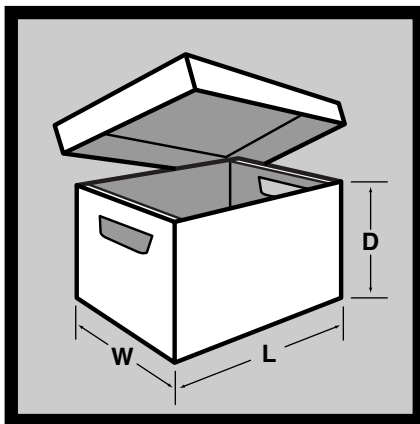
*Record files used for filing and storing regular or legal sized records — CF-1 used for filing and storing of cancelled checks — Both have completely self-locking body and cover — Furnished flat — All dimensions are inside dimensions.*



RF4, RF5, RF6

Inside Dimensions L x W x D		Wt. Per Each	No. Per Bundle	No. Per Full Pallet
15 x 10 <sup>1</sup> / <sub>2</sub> x 4 <sup>1</sup> / <sub>2</sub>	with Lid (Check File Box)	.817	25	700
15 x 12 x 10	with Lid (Snap Lock Bottom with Double Sides and Double Ends)	1.600	25	700
14 x 12	Plain Pad	.128	50	3000
15 x 12 x 10	with Lid (Double Bottom and Double Ends)	1.600	25	700
15 x 12 x 10	with Lid ( <b>Woodgrain</b> with Triple Ends, Double Sides and Double Bottom)	1.700	25	350
15 <sup>1</sup> / <sub>4</sub> x 12 <sup>1</sup> / <sub>4</sub> x 10	with Lid attached (Double Bottom and Triple Ends)	1.486	25	350
24 <sup>1</sup> / <sub>2</sub> x 15 <sup>1</sup> / <sub>4</sub> x 10	with Lid attached (Double Bottom and Triple Ends)	2.316	10	360
15 x 9 <sup>3</sup> / <sub>4</sub> x 12 <sup>1</sup> / <sub>4</sub>	with Lid (Double Bottom and Triple Ends) (Accommodates Side Cut File Folders)	1.425	25	350

[GET QUOTE NOW](#)

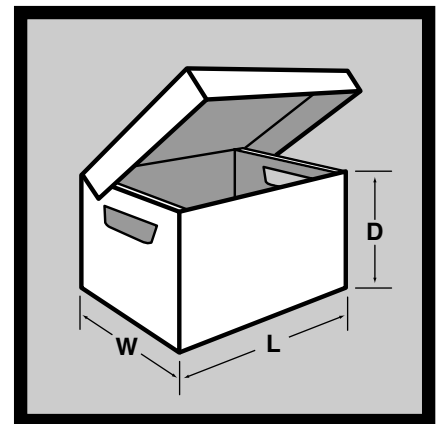


RRF2

**CORRUGATED (DIE-CUT)  
SELF-LOCKING  
RECORD FILE BOX  
WITH LID**

**32 ECT (EDGE CRUSH TEST),  
SINGLEWALL, BROWN**

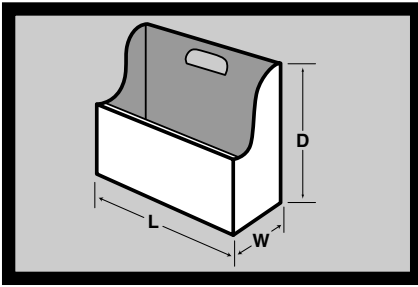
*Record files used for filing and storing regular or legal sized records— Complete with self-locking body and cover—Furnished flat—All dimensions are inside dimensions.*



RRF4

Inside Dimensions L x W x D		Wt. Per Each	No. Per Bundle	No. Per Full Pallet
15 x 12 x 10	With Lid (Double Bottom and Double Ends)	1.411	25	700
15 <sup>1</sup> / <sub>4</sub> x 12 <sup>1</sup> / <sub>4</sub> x 10	With Lid Attached (Double Bottom and Triple Ends)	1.344	25	350

[GET QUOTE NOW](#)



**CORRUGATED (DIE-CUT)**  
**ONE-PIECE SELF-LOCKING FILE AID**  
**WITH HAND HOLE**

**32 ECT #3 WHITE OUTSIDE**

*Furnished flat — No tape, glue or staples necessary — Assemble in seconds  
 — Used for filing or storing records — Not to be used as a shipper —  
 All dimensions are outside dimensions.*

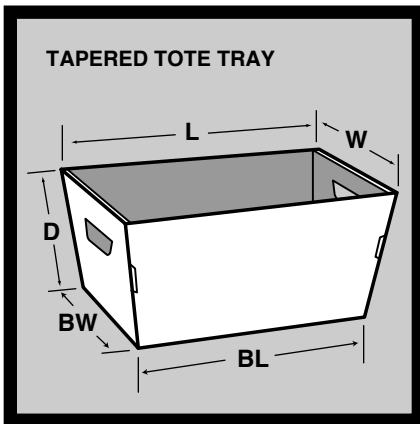
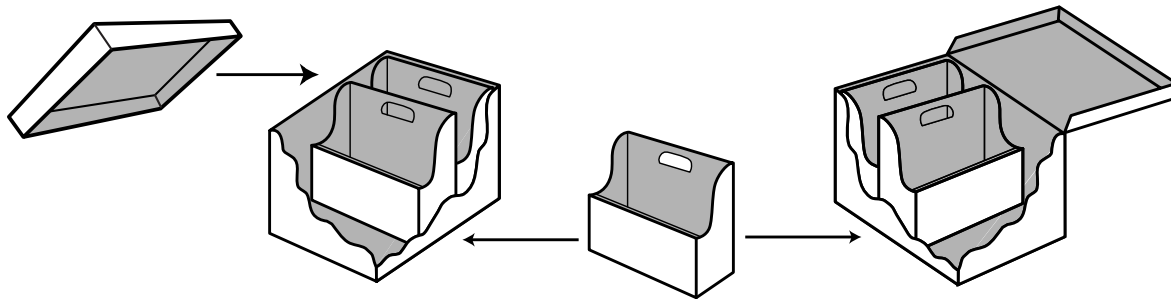
**Inside Dimensions**  
**L x W x D**

12 x 5 x 9<sup>7</sup>/<sub>8</sub>

**Wt. Per**   **No. Per**   **No. Per**  
**Each**   **Bundle**   **Full Pallet**

.344   25   700

**GET QUOTE NOW**



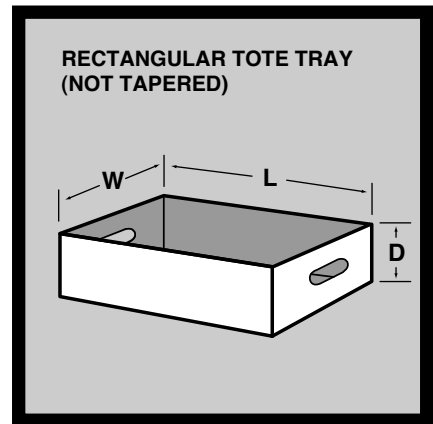
**TAPERED TOTE TRAY**

**TTT**

**CORRUGATED (DIE-CUT)**  
**SELF-LOCKING**  
**TOTE TRAYS**

**275# TEST #3 WHITE OUTSIDE**

*Solves your material handling problems  
 — Tapered sides allow for nesting  
 when empty — Furnished flat —  
 Rigid-closing design sets up in  
 seconds — All dimensions are inside  
 dimensions — The coating on the TTT3  
 resists oil and water, adds to the life of  
 the tray, and is **100% recyclable**.*



**RECTANGULAR TOTE TRAY**  
**(NOT TAPERED)**

**TT**

**Inside Dimensions**  
**L x W x D**

13<sup>1</sup>/<sub>2</sub> x 13<sup>1</sup>/<sub>2</sub> x 3<sup>1</sup>/<sub>2</sub>

22 x 15<sup>1</sup>/<sub>2</sub> x 6

18 x 12 x 6

19<sup>1</sup>/<sub>2</sub> x 13 x 10 (Coated 2 Sides,  
 and #3 White 2 Sides)

(Inside Bottom Dimensions BL=15<sup>1</sup>/<sub>2</sub>" x BW=9")

25 x 19 x 12

(Inside Bottom Dimensions BL=21<sup>1</sup>/<sub>2</sub>" x BW=14<sup>3</sup>/<sub>4</sub>"

19<sup>1</sup>/<sub>2</sub> x 13 x 10

(Inside Bottom Dimensions BL=14<sup>7</sup>/<sub>8</sub>" x BW=8<sup>5</sup>/<sub>16</sub>"

16 x 10 x 7

(Inside Bottom Dimensions BL=13<sup>1</sup>/<sub>2</sub>" x BW=8")

**Wt. Per**   **No. Per**   **No. Per**  
**Each**   **Bundle**   **Full Pallet**

.708   25   750

1.611   15   240

1.089   25   500

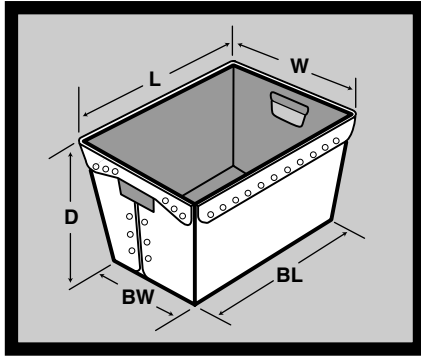
1.560   20   240

2.493   10   250

1.047   20   240

.882   25   500

**GET QUOTE NOW**



# PLASTIC TAPERED TOTE TRAYS

**160# POLYPROPYLENE TRANSLUCENT WHITE**

*Post Office Style Totes — Set Up. Nestable — Wire Reinforced — Ultrasonically Welded — Chemical & Moisture Resistant — Puncture & Tear Resistant — Easy to Clean — Reusable — Recyclable PP ♻️*

**Inside Dimensions  
L x W x D**

**No. Per Carton    Wt. Per Carton**

17 x 12<sup>3</sup>/<sub>8</sub> x 11<sup>1</sup>/<sub>2</sub>

**15      32**

(Inside Bottom Dimensions BL=14<sup>1</sup>/<sub>2</sub>" x BW=10<sup>5</sup>/<sub>8</sub>")

22<sup>1</sup>/<sub>2</sub> x 14<sup>5</sup>/<sub>8</sub> x 14

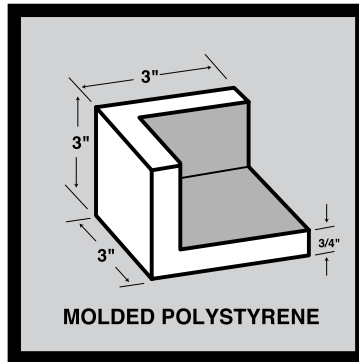
**10      32**

(Inside Bottom Dimensions BL=19<sup>1</sup>/<sub>2</sub>" x BW=12<sup>1</sup>/<sub>2</sub>")

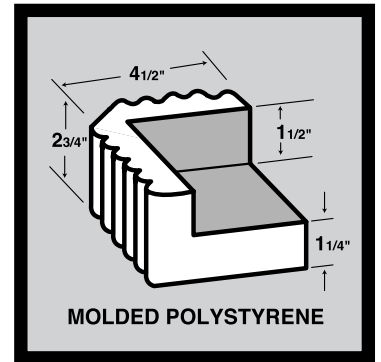
**GET QUOTE NOW**

## FOAM CORNER BLOCKS

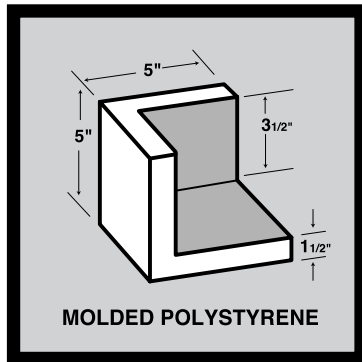
*Packaged in corrugated cartons — No set-up necessary — Used for corner protection when cushioning is required.*



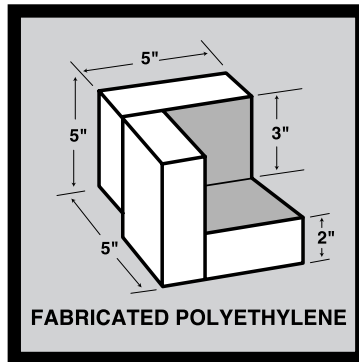
**FCB1**



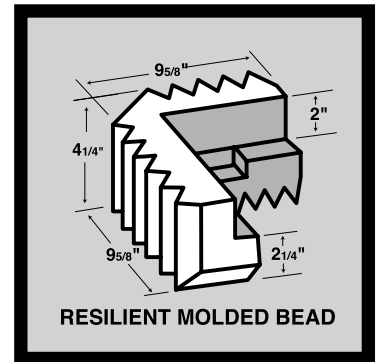
**FCB2**



**FCB3**



**FCB5**



**FCB6**

**Inside Dimensions  
L x W x D**

**No. Per Carton    Wt. Per Carton**

2<sup>1</sup>/<sub>4</sub> x 2<sup>1</sup>/<sub>4</sub> x 2<sup>1</sup>/<sub>4</sub> (3/4" Wall Thickness)

**1060      21**

3<sup>1</sup>/<sub>4</sub> x 3<sup>1</sup>/<sub>4</sub> x 1<sup>1</sup>/<sub>2</sub> (1<sup>1</sup>/<sub>4</sub>" Wall Thickness)

**672      30**

3<sup>1</sup>/<sub>2</sub> x 3<sup>1</sup>/<sub>2</sub> x 3<sup>1</sup>/<sub>2</sub> (1<sup>1</sup>/<sub>2</sub>" Wall Thickness)

**168      13**

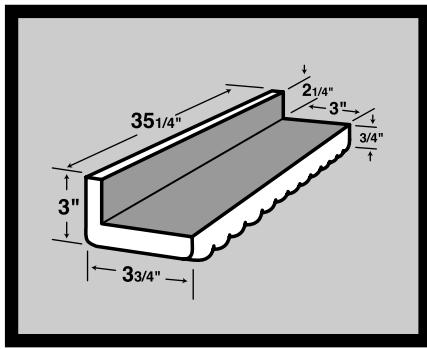
3 x 3 x 3 (2" Wall Thickness)

**168      21**

7<sup>3</sup>/<sub>8</sub> x 7<sup>3</sup>/<sub>8</sub> x 2 (2<sup>1</sup>/<sub>4</sub>" Wall Thickness)

**80      18**

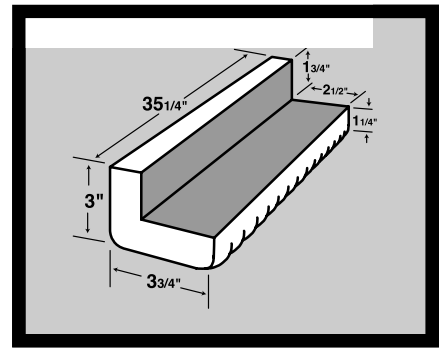
**GET QUOTE NOW**



FEP20

## MOLDED POLYSTYRENE EDGE PROTECTORS

*Packaged in corrugated cartons — No set-up necessary — used for edge protection when cushioning is required.*

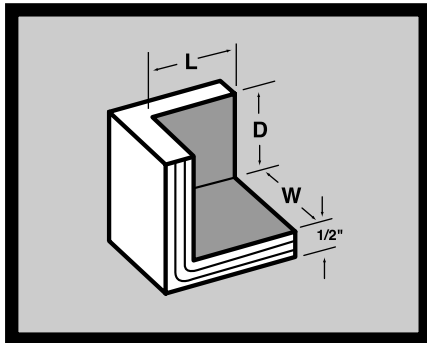


FEP21

Inside Dimensions  
L x W x D

No. Per Carton    Wt. Per Carton

35 1/4 x 3 x 2 1/4	(3/4" Wall Thickness)	100	16
35 1/4 x 2 1/2 x 1 3/4	(1 1/4" Wall Thickness)	100	25

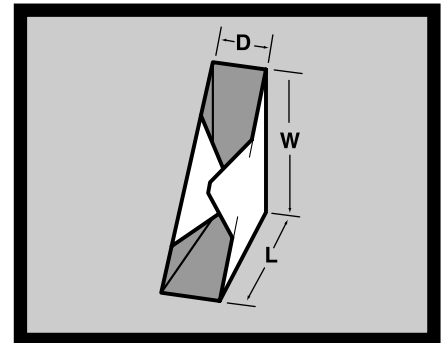


CUSHION CORNER PAD

## CORRUGATED (DIE-CUT) CORNER PADS

125# TEST #3 WHITE OUTSIDE

*Furnished flat — No tape, glue or staples necessary — Assemble in seconds — Used for corner protection for furniture, cabinets, windows, doors, pictures, etc. — All dimensions are inside dimensions.*



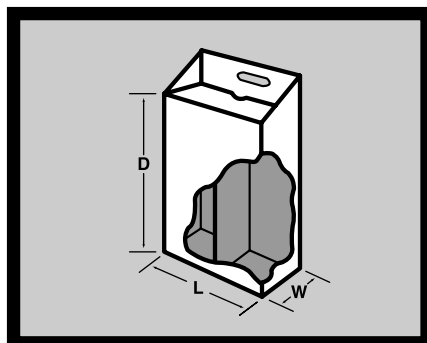
TRIANGULAR PAD

Inside Dimensions  
L x W x D

Wt. Per Each    No. Per Bundle    No. Per Full Pallet

3 x 3 x 3	(Cushion Corner Pad)	.086	50	3500
4 x 4 x 1	(Triangle Corner Pad)	.030	50	8750
5 x 5 x 1 1/2	(Triangle Corner Pad)	.048	50	6000
5 x 5 x 5	(Cushion Corner Pad)	.218	50	1000
7 x 7 x 2	(Triangle Corner Pad)	.089	50	3000

GET QUOTE NOW

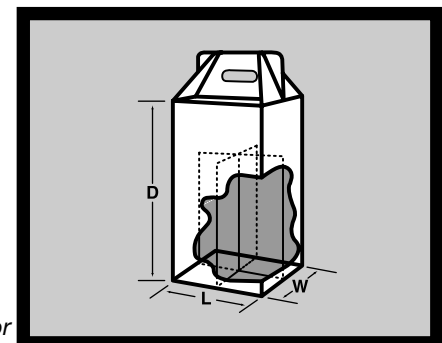


2BP 3BP

## CORRUGATED (DIE-CUT) ONE PIECE SELF-LOCKING CARRY-OUT BOTTLE PACKS

32 ECT #3 WHITE OUTSIDE

*Furnished flat—No tape, glue or staples necessary—Assemble in seconds—Fits all standard wine, liquor and champagne bottles —Ideal for carry-out, gifts and storage—2-BP and 3-BP packs can be placed back to back for ease in carrying—Not to be used as a shipper.*



4BP 6BP

AMALGAMATION PERMITTED TO OBTAIN QUANTITY PRICES  
NET PRICE PER EACH

Inside Dimensions  
L x W x D

Wt. Per Each    No. Per Bundle    No. Per Full Pallet

7 1/8 x 3 1/2 x 13 1/4	(2 Pack)	.420	25	700
10 3/4 x 3 1/2 x 13 1/4	(3 Pack)	.586	25	700
7 1/4 x 7 1/4 x 13 1/4	(4 Pack)	.624	25	700
10 3/4 x 7 1/4 x 13 1/4	(6 Pack)	.842	25	700

# SIZE INDEX

Size Length x Width x Depth		Wt. Per Each	No. Per Bundle	No. Per Full Pallet
<b>SHIPPING AND MAILING CONTAINERS</b>				
2 x 2 x 8		.079	50	5600
2 x 2 x 12 <sup>1</sup> / <sub>4</sub>		.112	50	2800
2 DIA. x 12 <sup>1</sup> / <sub>4</sub>		.170	50	2100
2 x 2 x 18 <sup>1</sup> / <sub>4</sub>		.159	50	2800
2 x 2 x 25 <sup>1</sup> / <sub>4</sub>		.214	50	1750
2 <sup>1</sup> / <sub>2</sub> x 2 <sup>1</sup> / <sub>2</sub> x 8		.102	50	3150
2 <sup>1</sup> / <sub>2</sub> x 2 <sup>1</sup> / <sub>2</sub> x 12 <sup>1</sup> / <sub>4</sub>		.142	50	2100
2 <sup>1</sup> / <sub>2</sub> x 2 <sup>1</sup> / <sub>2</sub> x 18 <sup>1</sup> / <sub>4</sub>		.202	50	2100
2 <sup>1</sup> / <sub>2</sub> x 2 <sup>1</sup> / <sub>2</sub> x 25 <sup>1</sup> / <sub>4</sub>		.267	50	1400
2 <sup>1</sup> / <sub>2</sub> DIA. x 30 <sup>1</sup> / <sub>4</sub>		.460	50	700
2 <sup>1</sup> / <sub>2</sub> DIA. x 37 <sup>1</sup> / <sub>4</sub>		.554	50	700
3 x 2 x 1	Style RETT	.030	50	5250
3 x 2 x 2	Style RETT	.052	50	8750
3 x 3 x 2	Style RETT	.060	50	4200
3 x 3 x 3	Style ST	.088	50	3150
3 x 3 x 8		.126	50	2100
3 x 3 x 12 <sup>1</sup> / <sub>4</sub>		.175	50	2100
3 x 3 x 18 <sup>1</sup> / <sub>4</sub>		.243	50	2100
3 DIA. x 18 <sup>1</sup> / <sub>4</sub>		.368	50	1400
3 x 3 x 25 <sup>1</sup> / <sub>4</sub>		.323	50	1050
3 DIA. x 25 <sup>1</sup> / <sub>4</sub>		.480	50	700
3 x 3 x 30 <sup>1</sup> / <sub>4</sub>		.380	50	1400
3 DIA. x 30 <sup>1</sup> / <sub>4</sub>		.565	50	700
3 x 3 x 37 <sup>1</sup> / <sub>4</sub>		.460	50	1050
3 <sup>1</sup> / <sub>4</sub> x 3 <sup>1</sup> / <sub>4</sub> x 1 <sup>1</sup> / <sub>2</sub>	Style ECCO/DF	.068	50	7000
3 <sup>1</sup> / <sub>2</sub> x 3 <sup>1</sup> / <sub>2</sub> x 18 <sup>1</sup> / <sub>4</sub>		.290	50	1400
3 <sup>1</sup> / <sub>2</sub> x 3 <sup>1</sup> / <sub>2</sub> x 25 <sup>1</sup> / <sub>4</sub>		.381	50	1050
3 <sup>1</sup> / <sub>2</sub> x 3 <sup>1</sup> / <sub>2</sub> x 30 <sup>1</sup> / <sub>4</sub>		.458	50	700
3 <sup>1</sup> / <sub>2</sub> x 3 <sup>1</sup> / <sub>2</sub> x 37 <sup>1</sup> / <sub>4</sub>		.541	50	700
3 <sup>5</sup> / <sub>8</sub> x 2 <sup>11</sup> / <sub>16</sub> x 2 <sup>1</sup> / <sub>16</sub>	(250 Calling Cards) Style RETT	.062	50	5600
3 <sup>3</sup> / <sub>4</sub> x 3 <sup>1</sup> / <sub>2</sub> x 2 <sup>5</sup> / <sub>8</sub>	(200 Trading Cards) Style ECCO/ST	.109	50	4200
4 x 2 x 2	Style RETT	.059	50	7000
4 x 3 x 1 <sup>1</sup> / <sub>2</sub>	Style ECCO/DF	.070	50	7000
4 x 3 x 2	Style RETT/DF	.078	50	4200
4 x 3 x 3	Style ST	.101	50	3150
4 x 4 x 2	Style RETT	.086	50	4200
4 x 4 x 3	Style RETT	.112	50	4200
4 x 4 x 4		.121	25	4375
4 x 4 x 4		.121	25	4375
4 x 4 x 5		.135	25	4200
4 x 4 x 5		.135	25	4200
4 x 4 x 8		.179	25	3500
4 x 4 x 8		.179	25	3500
4 x 4 x 9		.194	25	2625
4 x 4 x 12		.238	25	2625
4 x 4 x 12		.238	25	2625
4 x 4 x 18		.304	25	1750
4 x 4 x 18		.304	25	1750
4 x 4 x 20		.329	25	1750
4 x 4 x 24		.385	25	1400
4 x 4 x 24		.385	25	1400
4 x 4 x 28		.439	25	1400
4 x 4 x 28		.439	25	1400
4 x 4 x 32		.493	25	1050
4 x 4 x 36		.546	25	1050
4 x 4 x 36		.546	25	1050
4 x 4 x 40		.601	25	1050
4 x 4 x 40		.601	25	1050
4 x 4 x 48		.710	25	700
4 x 4 x 48		.710	25	700
4 <sup>1</sup> / <sub>2</sub> x 3 <sup>3</sup> / <sub>8</sub> x 1 <sup>1</sup> / <sub>16</sub>	Style RETT	.058	50	7000
4 <sup>1</sup> / <sub>2</sub> x 4 <sup>1</sup> / <sub>2</sub> x 4 <sup>1</sup> / <sub>2</sub>		.150	25	3500

GET QUOTE NOW

## SIZE INDEX

Size Length x Width x Depth		Wt. Per Each	No. Per Bundle	No. Per Full Pallet
4 1/2 x 4 1/2 x 4 1/2		.150	25	3500
5 x 2 x 2	Style RETT	.066	50	7000
5 x 3 x 2	Style RETT	.079	50	4200
5 x 3 x 3	Style RETT	.101	50	3150
5 x 4 x 2	Style ECCO/ST	.101	50	3150
5 x 4 x 3	Style RETT	.124	50	3150
5 x 5 x 3	Style RETT	.145	50	3150
5 x 5 x 3		.148	25	3500
5 x 5 x 3 1/2		.154	25	3500
5 x 5 x 3 1/2		.154	25	3500
5 x 5 x 4		.163	25	3500
5 x 5 x 4		.163	25	3500
5 x 5 x 5		.181	25	3500
5 x 5 x 5		.181	25	3500
5 x 5 x 10		.272	25	2100
5 x 5 x 10		.272	25	2100
5 5/16 x 3 5/8 x 2 1/16	(500 Calling Cards) Style RETT	.094	50	4200
5 1/2 x 3 x 2 1/2	Style ST	.109	50	3150
5 1/2 x 4 x 2	Style RETT	.102	50	3150
5 1/2 x 5 1/2 x 5 1/2		.218	25	2800
5 5/8 x 5 x 7/16-1 3/4	(Compact Disk Vari-depth)	.090	50	3150
5 11/16 x 5 3/8 x 1/2		.081	50	5600
5 11/16 x 5 3/8 x 1/2-2		.100	50	3150
6 x 2 x 2	Style RETT	.074	50	5250
6 x 3 x 2	Style RETT	.085	50	4200
6 x 3 x 3	Style ST	.126	50	4200
6 x 3 x 3		.085	25	4200
6 x 4 x 2	Style ECCO/DF	.126	50	3150
6 x 4 x 3	Style RETT	.135	50	2100
6 x 4 x 3 1/2		.137	25	4200
6 x 4 x 3 1/2		.137	25	4200
6 x 4 x 4		.147	25	3500
6 x 4 x 4		.147	25	3500
6 x 4 x 4 1/2		.156	25	3500
6 x 4 x 4 1/2		.156	25	3500
6 x 4 1/2 x 2 1/4	Style RETT	.124	50	2100
6 x 5 x 4		.183	25	2800
6 x 5 x 4 1/2		.189	25	3500
6 x 5 x 4 1/2		.189	25	3500
6 x 5 x 5		.199	25	2800
6 x 5 x 5		.199	25	2800
6 x 6 x 1	Style RETT	.104	50	4200
6 x 6 x 2		.172	25	3500
6 x 6 x 2		.172	25	3500
6 x 6 x 3	Style RETT	.183	50	1400
6 x 6 x 3		.193	25	2800
6 x 6 x 3		.193	25	2800
6 x 6 x 4		.215	25	2800
6 x 6 x 4		.215	25	2800
6 x 6 x 5		.237	25	2800
6 x 6 x 5		.237	25	2800
6 x 6 x 6		.258	25	2100
6 x 6 x 6		.258	25	2100
6 x 6 x 36		.720	25	700
6 x 6 x 40		1.040	25	700
6 x 6 x 40		1.040	25	700
6 x 6 x 48		1.221	25	500
6 x 6 x 48		1.221	25	500
6 1/4 x 4 1/4 x 1 1/2	Style RETT/DF	.108	50	3150
6 1/2 x 3 3/4 x 1 1/2	Style RETT	.092	50	4200
6 1/2 x 4 1/2 x 2	Style RETT	.123	50	2100
6 1/2 x 4 1/2 x 4	Style ST	.211	50	2100
6 1/2 x 6 1/2 x 1 1/2-2	(Vari-depth)	.128	50	2100
6 5/8 x 4 1/8 x 3 5/8	Style RETT/DF	.195	50	1400

GET QUOTE NOW

# SIZE INDEX

Size Length x Width x Depth		Wt. Per Each	No. Per Bundle	No. Per Full Pallet
6 <sup>5</sup> / <sub>8</sub> x 4 <sup>1</sup> / <sub>4</sub> x 10 <sup>1</sup> / <sub>4</sub>		.286	25	2100
6 <sup>3</sup> / <sub>4</sub> x 6 <sup>3</sup> / <sub>4</sub> x 7 <sup>3</sup> / <sub>4</sub>		.347	25	1575
6 <sup>3</sup> / <sub>4</sub> x 6 <sup>3</sup> / <sub>4</sub> x 7 <sup>3</sup> / <sub>4</sub>		.347	25	1575
6 <sup>3</sup> / <sub>4</sub> x 6 <sup>3</sup> / <sub>4</sub> x 12 <sup>1</sup> / <sub>8</sub>		.450	25	1050
6 <sup>3</sup> / <sub>4</sub> x 6 <sup>3</sup> / <sub>4</sub> x 12 <sup>1</sup> / <sub>8</sub>		.450	25	1050
7 x 3 x 2	Style RETT	.094	50	4200
7 x 3 x 3	Style ST	.138	50	3150
7 x 4 x 2	Style RETT	.115	50	3150
7 x 4 x 3	Style RETT	.147	50	2100
7 x 4 x 4	Style RETT	.205	50	1750
7 x 5 x 3		.174	25	3500
7 x 5 x 3		.174	25	3500
7 x 5 x 5		.216	25	2800
7 x 5 x 5		.216	25	2800
7 x 6 x 4		.232	25	2625
7 x 6 x 4		.232	25	2625
7 x 6 x 6		.279	25	2100
7 x 6 x 6		.279	25	2100
7 x 6 <sup>1</sup> / <sub>2</sub> x 1 <sup>7</sup> / <sub>8</sub>	Style RETT	.160	50	2100
7 x 7 x 3		.253	25	2100
7 x 7 x 4		.274	25	2100
7 x 7 x 4		.274	25	2100
7 x 7 x 5		.298	25	2100
7 x 7 x 5		.298	25	2100
7 x 7 x 6		.322	25	1575
7 x 7 x 6		.322	25	1575
7 x 7 x 7		.347	25	1575
7 x 7 x 7		.347	25	1575
7 x 7 x 8		.379	25	1575
7 x 7 x 10		.429	25	1050
7 x 7 x 12		.470	25	1050
7 x 7 x 12		.470	25	1050
7 <sup>1</sup> / <sub>4</sub> x 5 <sup>3</sup> / <sub>4</sub> x 1 <sup>15</sup> / <sub>16</sub>		.183	25	2625
7 <sup>1</sup> / <sub>2</sub> x 3 <sup>1</sup> / <sub>4</sub> x 2 <sup>1</sup> / <sub>4</sub>	Style ST	.125	50	3150
7 <sup>1</sup> / <sub>2</sub> x 3 <sup>3</sup> / <sub>4</sub> x 3 <sup>1</sup> / <sub>4</sub>	Style ST	.174	50	3150
7 <sup>1</sup> / <sub>2</sub> x 4 <sup>1</sup> / <sub>4</sub> x 1 <sup>1</sup> / <sub>16</sub>	(VHS Video Cassette) Style ECCO/DF	.110	50	4200
7 <sup>1</sup> / <sub>2</sub> x 5 x 1 <sup>1</sup> / <sub>2</sub> -2	(Vari-depth)	.118	50	3150
7 <sup>1</sup> / <sub>2</sub> x 5 <sup>1</sup> / <sub>2</sub> x 3	Style RETT	.192	50	2100
7 <sup>1</sup> / <sub>2</sub> x 7 <sup>1</sup> / <sub>2</sub> x 2	Style ECCO/DF	.226	50	2100
7 <sup>1</sup> / <sub>2</sub> x 7 <sup>1</sup> / <sub>2</sub> x 3 <sup>1</sup> / <sub>4</sub>	Style RETT	.254	50	1400
8 x 3 x 2	Style RETT	.104	50	2800
8 x 4 x 2	Style RETT	.125	50	2800
8 x 4 x 3	Style RETT	.157	50	2100
8 x 4 x 4	Style RETT	.193	50	1400
8 x 4 x 4		.175	25	3500
8 x 4 x 4		.175	25	3500
8 x 5 x 1 <sup>1</sup> / <sub>4</sub>	(VHS Video Cassette) Style ECCO/DF	.133	50	3150
8 x 5 x 3	Style ST	.218	50	2100
8 x 5 x 4		.212	25	2625
8 x 5 x 4		.212	25	2625
8 x 5 x 5		.234	25	2800
8 x 5 x 5		.234	25	2800
8 x 6 x 1 <sup>1</sup> / <sub>2</sub>	Style ECCO/DF	.170	50	2100
8 x 6 x 3		.226	25	2100
8 x 6 x 3		.226	25	2100
8 x 6 x 4		.249	25	2100
8 x 6 x 4		.249	25	2100
8 x 6 x 5		.275	25	2100
8 x 6 x 5		.275	25	2100
8 x 6 x 6		.299	25	2100
8 x 6 x 6		.299	25	2100
8 x 8 x 3		.310	25	2100
8 x 8 x 3		.310	25	2100
8 x 8 x 4		.337	25	1575

GET QUOTE NOW

# SIZE INDEX

Size Length x Width x Depth		Wt. Per Each	No. Per Bundle	No. Per Full Pallet
8 x 8 x 4		.337	25	1575
8 x 8 x 5		.366	25	1575
8 x 8 x 5		.366	25	1575
8 x 8 x 6		.393	25	1575
8 x 8 x 6		.393	25	1575
8 x 8 x 7		.426	25	1575
8 x 8 x 8		.450	25	1050
8 x 8 x 8		.450	25	1050
8 x 8 x 13 <sup>1</sup> / <sub>4</sub>		.608	25	700
8 x 8 x 17		.701	25	1050
8 x 8 x 17		.701	25	1050
8 <sup>1</sup> / <sub>8</sub> x 4 <sup>3</sup> / <sub>4</sub> x 1 <sup>3</sup> / <sub>16</sub>	(VHS Video Cassette) Style ECCO/DF	.126	50	3150
8 <sup>1</sup> / <sub>4</sub> x 8 <sup>1</sup> / <sub>4</sub> x 1 <sup>3</sup> / <sub>4</sub>	Style RETT	.221	50	2100
8 <sup>1</sup> / <sub>2</sub> x 6 x 1 <sup>1</sup> / <sub>2</sub> -2		.145	50	2100
8 <sup>1</sup> / <sub>2</sub> x 6 x 1 <sup>1</sup> / <sub>2</sub>		.131	50	2100
8 <sup>1</sup> / <sub>2</sub> x 6 <sup>1</sup> / <sub>2</sub> x 1 <sup>1</sup> / <sub>2</sub> -2	(5 x 7 Picture Frame Vari-depth)	.152	50	2100
8 <sup>1</sup> / <sub>2</sub> x 6 <sup>5</sup> / <sub>8</sub> x 10 <sup>1</sup> / <sub>4</sub>		.451	25	1050
8 <sup>1</sup> / <sub>2</sub> x 8 <sup>1</sup> / <sub>16</sub> x 1 <sup>1</sup> / <sub>2</sub>		.172	50	2100
8 <sup>1</sup> / <sub>2</sub> x 8 <sup>1</sup> / <sub>16</sub> x 1 <sup>1</sup> / <sub>2</sub> -2		.189	50	2100
8 <sup>1</sup> / <sub>2</sub> x 8 <sup>1</sup> / <sub>16</sub> x 1		.183	50	2100
8 <sup>1</sup> / <sub>2</sub> x 8 <sup>1</sup> / <sub>2</sub> x 8		.500	25	1050
8 <sup>1</sup> / <sub>2</sub> x 8 <sup>1</sup> / <sub>2</sub> x 8 <sup>1</sup> / <sub>2</sub>		.505	25	1050
8 <sup>1</sup> / <sub>2</sub> x 8 <sup>1</sup> / <sub>2</sub> x 8 <sup>1</sup> / <sub>2</sub>		.505	25	1050
8 <sup>1</sup> / <sub>2</sub> x 8 <sup>1</sup> / <sub>2</sub> x 24		.985	25	500
8 <sup>3</sup> / <sub>4</sub> x 8 x 10 <sup>1</sup> / <sub>4</sub>	(8 <sup>1</sup> / <sub>2</sub> x 7 <sup>3</sup> / <sub>4</sub> Snapout and Continuous Forms)	.535	25	1050
8 <sup>3</sup> / <sub>4</sub> x 8 <sup>3</sup> / <sub>4</sub> x 9 <sup>1</sup> / <sub>2</sub>	(TW2, 8 Pack Master)	.558	25	1050
9 x 2 x 2	Style RETT	.094	50	3500
9 x 3 x 3	Style RETT	.142	50	2100
9 x 4 x 3		.166	25	3150
9 x 4 x 3		.166	25	3150
9 x 4 x 4	Style RETT/DF	.241	50	1400
9 x 4 x 4		.190	25	3150
9 x 4 x 4		.190	25	3150
9 x 4 x 4		.190	25	3150
9 x 5 x 3		.202	25	2625
9 x 5 x 3		.202	25	2625
9 x 5 x 5		.251	25	2625
9 x 5 x 5		.251	25	2625
9 x 5 <sup>1</sup> / <sub>2</sub> x 1 <sup>1</sup> / <sub>4</sub>	(VHS Video Cassette) Style ECCO/DF	.159	50	3150
9 x 6 x 1	Style RETT/DF	.149	50	3150
9 x 6 x 2		.215	25	2625
9 x 6 x 3 <sup>1</sup> / <sub>2</sub>	Style ECCO/ST	.358	50	1400
9 x 6 x 3 <sup>1</sup> / <sub>2</sub>	(Special Style Security Mailer)	.432	50	700
9 x 6 x 4		.268	25	2100
9 x 6 x 4		.268	25	2100
9 x 6 x 5		.294	25	2100
9 x 6 x 5		.294	25	2100
9 x 6 x 5 <sup>1</sup> / <sub>2</sub>		.307	25	2100
9 x 6 x 5 <sup>1</sup> / <sub>2</sub>		.307	25	2100
9 x 6 x 6		.320	25	2100
9 x 6 x 6		.320	25	2100
9 x 7 x 4		.312	25	2100
9 x 7 x 4		.312	25	2100
9 x 7 x 5		.339	25	1400
9 x 7 x 5		.339	25	1400
9 x 7 x 7		.395	25	1575
9 x 7 x 7		.395	25	1575
9 x 8 x 4		.358	25	1400
9 x 8 x 4		.358	25	1400
9 x 8 x 6		.418	25	1575
9 x 8 x 6		.418	25	1575
9 x 8 x 8		.478	25	1050
9 x 8 x 8		.478	25	1050
9 x 9 x 4		.410	25	1575
9 x 9 x 4		.410	25	1575
9 x 9 x 5		.440	25	1575

GET QUOTE NOW

# SIZE INDEX

Size Length x Width x Depth		Wt. Per Each	No. Per Bundle	No. Per Full Pallet
9 x 9 x 5		.440	25	1575
9 x 9 x 6		.472	25	1575
9 x 9 x 6		.472	25	1575
9 x 9 x 7		.503	25	1050
9 x 9 x 7		.503	25	1050
9 x 9 x 9		.564	25	1050
9 x 9 x 9		.564	25	1050
9 x 9 x 25		1.104	25	375
9 <sup>1</sup> / <sub>8</sub> x 9 <sup>1</sup> / <sub>8</sub> x 1 <sup>1</sup> / <sub>2</sub> -4 (Vari-depth)		.274	50	1400
9 <sup>3</sup> / <sub>8</sub> x 5 <sup>1</sup> / <sub>4</sub> x 2 <sup>1</sup> / <sub>2</sub> Style RETT		.201	50	2100
9 <sup>3</sup> / <sub>8</sub> x 7 <sup>1</sup> / <sub>4</sub> x 2 <sup>1</sup> / <sub>2</sub> Style RETT		.253	50	1400
9 <sup>1</sup> / <sub>2</sub> x 6 <sup>1</sup> / <sub>2</sub> x 1 <sup>1</sup> / <sub>2</sub> -2 (Vari-depth)		.165	50	2100
9 <sup>1</sup> / <sub>2</sub> x 6 <sup>1</sup> / <sub>2</sub> x 2		.165	50	3150
9 <sup>1</sup> / <sub>2</sub> x 8 x 2 <sup>1</sup> / <sub>4</sub> Style RETT		.258	50	1400
9 <sup>1</sup> / <sub>2</sub> x 9 <sup>1</sup> / <sub>2</sub> x 14 <sup>1</sup> / <sub>4</sub>		.805	25	500
9 <sup>1</sup> / <sub>2</sub> x 9 <sup>1</sup> / <sub>2</sub> x 14 <sup>1</sup> / <sub>4</sub>		.805	25	500
10 x 2 x 2 Style RETT		.103	50	2800
10 x 3 x 2 Style RETT		.121	50	2800
10 x 3 x 3 Style ST		.171	50	2100
10 x 4 x 2 Style RETT		.145	50	2100
10 x 4 x 3 Style RETT		.180	50	2100
10 x 4 x 4 Style RETT		.245	50	1400
10 x 4 x 4		.203	25	3150
10 x 4 x 4		.203	25	3150
10 x 5 x 4		.242	25	2625
10 x 5 x 4		.242	25	2625
10 x 5 x 5		.270	25	2625
10 x 5 x 5		.270	25	2625
10 x 5 x 83 (FOL) (Ski)		2.563	15	270
10 x 6 x 3		.261	25	2100
10 x 6 x 4		.284	25	2100
10 x 6 x 4		.284	25	2100
10 x 6 x 5		.313	25	2100
10 x 6 x 5		.313	25	2100
10 x 6 x 6		.340	25	1575
10 x 6 x 6		.340	25	1575
10 x 6 <sup>3</sup> / <sub>4</sub> x 3 <sup>1</sup> / <sub>4</sub>		.298	25	2100
10 x 6 <sup>3</sup> / <sub>4</sub> x 3 <sup>1</sup> / <sub>4</sub>		.298	25	2100
10 x 7 x 2		.208	50	1400
10 x 7 x 4		.330	25	2100
10 x 7 x 4		.330	25	2100
10 x 7 x 5		.359	25	1575
10 x 7 x 5		.359	25	1575
10 x 7 x 7		.420	25	1575
10 x 7 x 7		.420	25	1575
10 x 8 x 4		.380	25	1400
10 x 8 x 4		.380	25	1400
10 x 8 x 5		.412	25	1575
10 x 8 x 5		.412	25	1575
10 x 8 x 6		.441	25	1050
10 x 8 x 6		.441	25	1050
10 x 8 x 7		.473	25	1575
10 x 8 x 7		.473	25	1575
10 x 8 x 8		.505	25	1050
10 x 8 x 8		.505	25	1050
10 x 9 x 6		.496	25	1050
10 x 9 x 6		.496	25	1050
10 x 9 x 8		.564	25	1050
10 x 9 x 9		.597	25	700
10 x 9 x 9		.597	25	700
10 x 10 x 2 Style RETT		.307	50	1400
10 x 10 x 3		.454	25	1050
10 x 10 x 3		.454	25	1050
10 x 10 x 4		.487	25	1050

[GET QUOTE NOW](#)

# SIZE INDEX

Size Length x Width x Depth		Wt. Per Each	No. Per Bundle	No. Per Full Pallet
10 x 10 x 4		.487	25	1050
10 x 10 x 5	(R.S.C. with vent slots)	.472	25	1050
10 x 10 x 5		.523	25	1050
10 x 10 x 5		.523	25	1050
10 x 10 x 6		.556	25	1050
10 x 10 x 6		.556	25	1050
10 x 10 x 7		.592	25	1050
10 x 10 x 7		.592	25	1050
10 x 10 x 8		.626	25	1050
10 x 10 x 8		.626	25	1050
10 x 10 x 9		.662	25	700
10 x 10 x 9		.662	25	700
10 x 10 x 10		.624	25	700
10 x 10 x 10		.624	25	700
10 x 10 x 10	<b>(Heavy Duty)</b>	1.047	25	500
10 x 10 x 10	<b>(Doublewall)</b>	1.176	15	300
10 x 10 x 12		.778	25	500
10 x 10 x 15		.867	25	500
10 x 10 x 15		.867	25	500
10 <sup>1</sup> / <sub>8</sub> x 4 <sup>1</sup> / <sub>8</sub> x 3 <sup>1</sup> / <sub>2</sub>	Style RETT/DF	.235	50	1400
10 <sup>1</sup> / <sub>4</sub> x 8 <sup>1</sup> / <sub>4</sub> x 1 <sup>1</sup> / <sub>2</sub> -2	(Vari-depth)	.216	50	1400
10 <sup>1</sup> / <sub>4</sub> x 10 <sup>1</sup> / <sub>4</sub> x 1 <sup>1</sup> / <sub>2</sub> -2	(Vari-depth)	.265	50	1400
10 <sup>1</sup> / <sub>2</sub> x 7 <sup>3</sup> / <sub>4</sub> x 6 <sup>7</sup> / <sub>16</sub>		.454	25	1400
10 <sup>1</sup> / <sub>2</sub> x 7 <sup>3</sup> / <sub>4</sub> x 6 <sup>7</sup> / <sub>16</sub>		.454	25	1400
10 <sup>1</sup> / <sub>2</sub> x 10 <sup>1</sup> / <sub>2</sub> x 5 <sup>1</sup> / <sub>2</sub>		.593	25	1050
10 <sup>1</sup> / <sub>2</sub> x 10 <sup>1</sup> / <sub>2</sub> x 7 <sup>1</sup> / <sub>2</sub>		.656	25	700
10 <sup>1</sup> / <sub>2</sub> x 10 <sup>1</sup> / <sub>2</sub> x 7 <sup>1</sup> / <sub>2</sub>		.656	25	700
10 <sup>1</sup> / <sub>2</sub> x 10 <sup>1</sup> / <sub>2</sub> x 10 <sup>1</sup> / <sub>2</sub>		.763	25	500
10 <sup>1</sup> / <sub>2</sub> x 10 <sup>1</sup> / <sub>2</sub> x 10 <sup>1</sup> / <sub>2</sub>		.763	25	500
10 <sup>5</sup> / <sub>8</sub> x 3 <sup>5</sup> / <sub>8</sub> x 2 <sup>1</sup> / <sub>16</sub>	(1000 Calling Cards) Style RETT	.146	50	2100
11 x 6 x 4		.302	25	2100
11 x 6 x 4		.302	25	2100
11 x 6 x 5 <sup>1</sup> / <sub>2</sub>		.346	25	1400
11 x 6 <sup>1</sup> / <sub>2</sub> x 2 <sup>3</sup> / <sub>4</sub>	Style RETT	.266	50	1400
11 x 7 x 7		.443	25	1400
11 x 7 x 7		.443	25	1400
11 x 8 x 6		.465	25	1050
11 x 8 x 6		.465	25	1050
11 x 8 x 8		.480	25	700
11 x 8 <sup>3</sup> / <sub>4</sub> x 4 <sup>7</sup> / <sub>8</sub>	<b>(Heavy Duty)</b>	.711	25	750
11 x 9 x 9		.626	25	1050
11 x 9 x 9		.626	25	1050
11 x 11 x 9		.762	25	500
11 x 11 x 9		.762	25	500
11 x 11 x 11		.835	25	500
11 x 11 x 11		.835	25	500
11 <sup>1</sup> / <sub>8</sub> x 4 <sup>1</sup> / <sub>2</sub> x 2 <sup>5</sup> / <sub>8</sub>	Style RETT/DF	.221	50	1400
11 <sup>1</sup> / <sub>8</sub> x 9 <sup>5</sup> / <sub>8</sub> x 11 <sup>1</sup> / <sub>4</sub>		.752	25	500
11 <sup>1</sup> / <sub>8</sub> x 9 <sup>5</sup> / <sub>8</sub> x 12		.779	25	500
11 <sup>1</sup> / <sub>4</sub> x 8 <sup>3</sup> / <sub>4</sub> x 1 <sup>1</sup> / <sub>2</sub>	(Letter Size)	.194	50	2100
11 <sup>1</sup> / <sub>4</sub> x 8 <sup>3</sup> / <sub>4</sub> x 1 <sup>1</sup> / <sub>2</sub> -2	(Letter Size Vari-depth)	.239	50	1400
11 <sup>1</sup> / <sub>4</sub> x 8 <sup>3</sup> / <sub>4</sub> x 1	(Letter Size)	.208	50	2100
11 <sup>1</sup> / <sub>4</sub> x 8 <sup>3</sup> / <sub>4</sub> x 2	(Letter Size)	.239	50	1400
11 <sup>1</sup> / <sub>4</sub> x 8 <sup>3</sup> / <sub>4</sub> x 2 <sup>1</sup> / <sub>8</sub>	(Letterhead) Style RETT	.297	50	1400
11 <sup>1</sup> / <sub>4</sub> x 8 <sup>3</sup> / <sub>4</sub> x 3	(Letterhead) Style RETT	.360	50	1400
11 <sup>1</sup> / <sub>4</sub> x 8 <sup>3</sup> / <sub>4</sub> x 4	(Letterhead) Style RETT	.425	50	1400
11 <sup>1</sup> / <sub>4</sub> x 8 <sup>3</sup> / <sub>4</sub> x 4	(Letterhead)	.458	25	1050
11 <sup>1</sup> / <sub>4</sub> x 8 <sup>3</sup> / <sub>4</sub> x 4	(Letterhead)	.458	25	1050
11 <sup>1</sup> / <sub>4</sub> x 8 <sup>3</sup> / <sub>4</sub> x 4 <sup>3</sup> / <sub>4</sub>	(Letterhead)	.484	25	1050
11 <sup>1</sup> / <sub>4</sub> x 8 <sup>3</sup> / <sub>4</sub> x 4 <sup>3</sup> / <sub>4</sub>	(Letterhead)	.484	25	1050
11 <sup>1</sup> / <sub>4</sub> x 8 <sup>3</sup> / <sub>4</sub> x 6	(Letterhead)	.529	25	1050
11 <sup>1</sup> / <sub>4</sub> x 8 <sup>3</sup> / <sub>4</sub> x 6	(Letterhead)	.529	25	1050
11 <sup>1</sup> / <sub>4</sub> x 8 <sup>3</sup> / <sub>4</sub> x 8	(Letterhead)	.601	25	1050
11 <sup>1</sup> / <sub>4</sub> x 8 <sup>3</sup> / <sub>4</sub> x 8	(Letterhead)	.601	25	1050
11 <sup>1</sup> / <sub>4</sub> x 8 <sup>3</sup> / <sub>4</sub> x 10	(Letterhead)	.671	25	1050

GET QUOTE NOW

# SIZE INDEX

Size Length x Width x Depth	Wt. Per Each	No. Per Bundle	No. Per Full Pallet
11 <sup>1</sup> / <sub>4</sub> x 8 <sup>3</sup> / <sub>4</sub> x 10 (Letterhead)	.671	25	1050
11 <sup>1</sup> / <sub>4</sub> x 8 <sup>3</sup> / <sub>4</sub> x 11 (Letterhead)	.706	25	700
11 <sup>1</sup> / <sub>4</sub> x 8 <sup>3</sup> / <sub>4</sub> x 12 (Letterhead)	.741	25	500
11 <sup>1</sup> / <sub>4</sub> x 8 <sup>3</sup> / <sub>4</sub> x 12 (Letterhead)	.741	25	500
11 <sup>1</sup> / <sub>4</sub> x 8 <sup>3</sup> / <sub>4</sub> x 12 (Letterhead with extra scores at 6"-8"-10")	.741	25	500
11 <sup>1</sup> / <sub>4</sub> x 8 <sup>3</sup> / <sub>4</sub> x 12 (Letterhead with extra scores at 6"-8"-10")	.741	25	500
11 <sup>1</sup> / <sub>4</sub> x 8 <sup>3</sup> / <sub>4</sub> x 14 <sup>1</sup> / <sub>4</sub> (Letterhead)	.822	25	500
11 <sup>1</sup> / <sub>4</sub> x 8 <sup>3</sup> / <sub>4</sub> x 14 <sup>1</sup> / <sub>4</sub> (Letterhead)	.822	25	500
11 <sup>1</sup> / <sub>4</sub> x 10 <sup>1</sup> / <sub>8</sub> x 10 <sup>1</sup> / <sub>4</sub> (9 <sup>7</sup> / <sub>8</sub> x 11 Snapout and Continuous Forms)	.756	25	500
11 <sup>1</sup> / <sub>2</sub> x 9 x 2 <sup>1</sup> / <sub>8</sub> Style ECCO/DF	.346	50	1400
11 <sup>1</sup> / <sub>2</sub> x 9 <sup>1</sup> / <sub>2</sub> x 1 <sup>1</sup> / <sub>2</sub> -2 (8 x 10 Picture Frame Vari-depth)	.260	50	1400
11 <sup>1</sup> / <sub>2</sub> x 9 <sup>1</sup> / <sub>2</sub> x 6 (with extra score at 4")	.572	25	1050
11 <sup>1</sup> / <sub>2</sub> x 10 <sup>1</sup> / <sub>2</sub> x 2 <sup>1</sup> / <sub>4</sub>	.324	50	1400
11 <sup>1</sup> / <sub>2</sub> x 11 x 3	.375	50	1400
11 <sup>5</sup> / <sub>8</sub> x 7 x 6 <sup>5</sup> / <sub>16</sub>	.437	25	1050
11 <sup>3</sup> / <sub>4</sub> x 9 <sup>1</sup> / <sub>4</sub> x 5 <sup>1</sup> / <sub>4</sub>	.540	25	1050
11 <sup>3</sup> / <sub>4</sub> x 9 <sup>1</sup> / <sub>4</sub> x 7 <sup>1</sup> / <sub>8</sub>	.598	25	1050
11 <sup>3</sup> / <sub>4</sub> x 9 <sup>1</sup> / <sub>4</sub> x 7 <sup>1</sup> / <sub>8</sub>	.598	25	1050
11 <sup>3</sup> / <sub>4</sub> x 10 <sup>1</sup> / <sub>2</sub> x 1 <sup>3</sup> / <sub>4</sub> (Binder Size)	.288	50	1400
12 x 3 x 3 Style ECCO/ST	.214	50	2100
12 x 4 x 4	.232	25	2625
12 x 4 x 4	.232	25	2625
12 x 5 x 4	.275	25	2100
12 x 5 x 4	.275	25	2100
12 x 6 x 4 Style RETT/DF	.367	50	700
12 x 6 x 4	.319	25	2100
12 x 6 x 4	.319	25	2100
12 x 6 x 5	.351	25	1750
12 x 6 x 5	.351	25	1750
12 x 6 x 6	.382	25	1575
12 x 6 x 6	.382	25	1575
12 x 7 x 5	.401	25	1400
12 x 7 x 5	.401	25	1400
12 x 7 x 7	.476	25	700
12 x 8 x 1 <sup>1</sup> / <sub>2</sub> Style ECCO/DF	.273	50	1400
12 x 8 x 4	.420	25	1400
12 x 8 x 4	.420	25	1400
12 x 8 x 6	.489	25	1050
12 x 8 x 6	.489	25	1050
12 x 8 x 8	.558	25	1050
12 x 8 x 8	.558	25	1050
12 x 8 <sup>3</sup> / <sub>4</sub> x 10 <sup>1</sup> / <sub>4</sub> (11 <sup>3</sup> / <sub>4</sub> x 8 <sup>1</sup> / <sub>2</sub> Snapout and Continuous Forms)	.686	25	700
12 x 8 <sup>3</sup> / <sub>4</sub> x 10 <sup>1</sup> / <sub>4</sub> (11 <sup>3</sup> / <sub>4</sub> x 8 <sup>1</sup> / <sub>2</sub> Snapout and Continuous Forms)	.686	25	700
12 x 9 x 3	.440	25	1400
12 x 9 x 3	.440	25	1400
12 x 9 x 4	.477	25	1400
12 x 9 x 4	.477	25	1400
12 x 9 x 5	.469	25	1050
12 x 9 x 6	.550	25	1050
12 x 9 x 6	.550	25	1050
12 x 9 x 7	.586	25	1050
12 x 9 x 7	.586	25	1050
12 x 9 x 9	.659	25	1050
12 x 9 x 9	.659	25	1050
12 x 9 x 10	.707	25	700
12 x 9 <sup>1</sup> / <sub>2</sub> x 4	.508	25	1050
12 x 9 <sup>1</sup> / <sub>2</sub> x 4	.508	25	1050
12 x 9 <sup>1</sup> / <sub>2</sub> x 8	.654	25	1050
12 x 9 <sup>1</sup> / <sub>2</sub> x 8	.654	25	1050
12 x 9 <sup>1</sup> / <sub>2</sub> x 12	.801	25	500
12 x 9 <sup>1</sup> / <sub>2</sub> x 12	.801	25	500
12 x 9 <sup>1</sup> / <sub>2</sub> x 16	.975	25	500
12 x 9 <sup>1</sup> / <sub>2</sub> x 16	.975	25	500
12 x 10 x 3	.497	25	1050
12 x 10 x 3	.497	25	1050

GET QUOTE NOW

# SIZE INDEX

Size Length x Width x Depth	Wt. Per Each	No. Per Bundle	No. Per Full Pallet
12 x 10 x 4	.537	25	1050
12 x 10 x 4	.537	25	1050
12 x 10 x 6	.610	25	1050
12 x 10 x 6	.610	25	1050
12 x 10 x 8	.687	25	1050
12 x 10 x 8	.687	25	1050
12 x 10 x 9	.723	25	500
12 x 10 x 9	.723	25	500
12 x 10 x 10	.763	25	500
12 x 10 x 10	.763	25	500
12 x 10 1/2 x 2 (2" Binder Size)	.292	50	1400
12 x 11 x 4	.597	25	700
12 x 11 x 4	.597	25	700
12 x 11 1/2 x 1/2-3 (Vari-depth)	.350	50	1050
12 x 11 1/2 x 3 (3" Binder Size)	.350	50	1050
12 x 12 x 1 1/2 Style ECCO/DF	.377	50	1400
12 x 12 x 2	.580	25	1050
12 x 12 x 2	.580	25	1050
12 x 12 x 3	.623	25	700
12 x 12 x 3	.623	25	700
12 x 12 x 4	.662	25	700
12 x 12 x 4	.662	25	700
12 x 12 x 5	.706	25	700
12 x 12 x 5	.706	25	700
12 x 12 x 6	.745	25	500
12 x 12 x 6	.745	25	500
12 x 12 x 7	.788	25	500
12 x 12 x 7	.788	25	500
12 x 12 x 8	.828	25	500
12 x 12 x 8	.828	25	500
12 x 12 x 9	.871	25	500
12 x 12 x 9	.871	25	500
12 x 12 x 10	.910	25	500
12 x 12 x 10	.910	25	500
12 x 12 x 11	.950	25	500
12 x 12 x 11	.950	25	500
12 x 12 x 12	.993	25	500
12 x 12 x 12	.993	25	500
12 x 12 x 12 (Heavy Duty)	1.502	25	500
12 x 12 x 12 (Doublewall)	1.685	15	300
12 x 12 x 12 (Doublewall)	1.685	15	300
12 x 12 x 15	1.145	25	500
12 x 12 x 15	1.145	25	500
12 x 12 x 17 1/2	1.250	25	500
12 x 12 x 17 1/2	1.250	25	500
12 x 12 x 20	1.355	20	240
12 x 12 x 20	1.355	20	240
12 x 12 x 24	1.541	25	250
12 x 12 x 25	1.565	20	240
12 x 12 x 25	1.565	20	240
12 x 12 x 30	1.729	20	240
12 x 12 x 30	1.729	20	240
12 x 12 x 36	2.051	15	270
12 x 12 x 40	2.135	15	270
12 x 12 x 40	2.135	15	270
12 x 12 x 48	2.540	15	270
12 x 12 x 48	2.540	15	270
12 x 12 x 56	2.900	10	260
12 1/4 x 6 1/2 x 4 1/8 Style RETT/DF	.401	50	700
12 1/4 x 9 1/8 x 5 7/8	.559	25	1050
12 1/4 x 9 1/8 x 5 7/8	.559	25	1050
12 1/4 x 9 1/4 x 1/2-2 (Vari-depth)	.267	50	1400
12 1/4 x 9 1/4 x 2 Style RETT	.321	50	1400
12 1/4 x 9 1/4 x 3 Style RETT	.396	50	1400
12 1/4 x 9 1/4 x 4 Style RETT	.465	50	700

GET QUOTE NOW

# SIZE INDEX

Size Length x Width x Depth	Wt. Per Each	No. Per Bundle	No. Per Full Pallet
12 <sup>1</sup> / <sub>4</sub> x 9 <sup>1</sup> / <sub>4</sub> x 6 <sup>1</sup> / <sub>4</sub>	.581	25	1050
12 <sup>1</sup> / <sub>4</sub> x 9 <sup>1</sup> / <sub>4</sub> x 6 <sup>1</sup> / <sub>4</sub>	.581	25	1050
12 <sup>1</sup> / <sub>4</sub> x 9 <sup>1</sup> / <sub>4</sub> x 9	.683	25	700
12 <sup>1</sup> / <sub>4</sub> x 9 <sup>1</sup> / <sub>4</sub> x 9	.683	25	700
12 <sup>1</sup> / <sub>4</sub> x 9 <sup>1</sup> / <sub>4</sub> x 12 <sup>1</sup> / <sub>2</sub>	.810	25	500
12 <sup>1</sup> / <sub>4</sub> x 9 <sup>1</sup> / <sub>4</sub> x 12 <sup>1</sup> / <sub>2</sub>	.810	25	500
12 <sup>1</sup> / <sub>4</sub> x 9 <sup>1</sup> / <sub>4</sub> x 15	.928	25	500
12 <sup>1</sup> / <sub>4</sub> x 9 <sup>1</sup> / <sub>4</sub> x 15	.928	25	500
12 <sup>1</sup> / <sub>4</sub> x 10 <sup>1</sup> / <sub>2</sub> x 8	.728	25	500
12 <sup>1</sup> / <sub>4</sub> x 10 <sup>1</sup> / <sub>2</sub> x 8	.728	25	500
12 <sup>1</sup> / <sub>4</sub> x 11 x 7 <sup>9</sup> / <sub>16</sub>	.760	25	500
12 <sup>1</sup> / <sub>4</sub> x 11 x 10 <sup>3</sup> / <sub>8</sub>	.874	25	500
12 <sup>1</sup> / <sub>4</sub> x 12 <sup>1</sup> / <sub>4</sub> x 12 (with extra score at 10")	1.027	25	500
12 <sup>3</sup> / <sub>8</sub> x 12 <sup>3</sup> / <sub>8</sub> x 4 <sup>1</sup> / <sub>2</sub>	.721	25	500
12 <sup>3</sup> / <sub>8</sub> x 12 <sup>3</sup> / <sub>8</sub> x 4 <sup>1</sup> / <sub>2</sub>	.721	25	500
12 <sup>3</sup> / <sub>8</sub> x 12 <sup>3</sup> / <sub>8</sub> x 6 <sup>1</sup> / <sub>2</sub>	.819	25	500
12 <sup>1</sup> / <sub>2</sub> x 5 x 3 Style RETT	.243	50	1400
12 <sup>1</sup> / <sub>2</sub> x 7 x 7	.480	25	1050
12 <sup>1</sup> / <sub>2</sub> x 7 x 7	.480	25	1050
12 <sup>1</sup> / <sub>2</sub> x 9 <sup>5</sup> / <sub>8</sub> x 9	.728	25	700
12 <sup>1</sup> / <sub>2</sub> x 12 <sup>1</sup> / <sub>2</sub> x 1 <sup>1</sup> / <sub>4</sub> -1 (Vari-depth) (Record Size)	.314	50	1400
12 <sup>1</sup> / <sub>2</sub> x 12 <sup>1</sup> / <sub>2</sub> x 1 <sup>1</sup> / <sub>2</sub> -2 (Vari-depth) (Record Size)	.351	50	1050
12 <sup>1</sup> / <sub>2</sub> x 12 <sup>1</sup> / <sub>2</sub> x 1 (Record Size)	.314	50	1400
12 <sup>1</sup> / <sub>2</sub> x 12 <sup>1</sup> / <sub>2</sub> x 2 (Record Size)	.351	50	1050
12 <sup>1</sup> / <sub>2</sub> x 12 <sup>1</sup> / <sub>2</sub> x 3 (Record Size)	.398	50	700
12 <sup>1</sup> / <sub>2</sub> x 12 <sup>1</sup> / <sub>2</sub> x 4 (Record Size)	.423	50	700
12 <sup>1</sup> / <sub>2</sub> x 12 <sup>1</sup> / <sub>2</sub> x 4 (Record Size)	.723	25	700
12 <sup>1</sup> / <sub>2</sub> x 12 <sup>1</sup> / <sub>2</sub> x 8 (Record Size)	.884	25	500
12 <sup>1</sup> / <sub>2</sub> x 12 <sup>1</sup> / <sub>2</sub> x 8 (Record Size)	.884	25	500
12 <sup>1</sup> / <sub>2</sub> x 12 <sup>1</sup> / <sub>2</sub> x 10 <sup>1</sup> / <sub>2</sub> (Record Size)	.990	25	500
12 <sup>1</sup> / <sub>2</sub> x 12 <sup>1</sup> / <sub>2</sub> x 10 <sup>1</sup> / <sub>2</sub> (Record Size)	.990	25	500
12 <sup>3</sup> / <sub>4</sub> x 6 <sup>3</sup> / <sub>8</sub> x 13 <sup>1</sup> / <sub>2</sub> (TW6, 4 Pack Master)	.665	25	700
12 <sup>3</sup> / <sub>4</sub> x 9 <sup>9</sup> / <sub>16</sub> x 8 <sup>11</sup> / <sub>16</sub>	.702	25	700
12 <sup>3</sup> / <sub>4</sub> x 9 <sup>9</sup> / <sub>16</sub> x 8 <sup>11</sup> / <sub>16</sub>	.702	25	700
12 <sup>3</sup> / <sub>4</sub> x 12 <sup>3</sup> / <sub>4</sub> x 13 <sup>1</sup> / <sub>2</sub>	1.209	25	500
12 <sup>3</sup> / <sub>4</sub> x 12 <sup>3</sup> / <sub>4</sub> x 13 <sup>1</sup> / <sub>2</sub> (TW6, 8 Pack Master)	1.209	25	500
12 <sup>7</sup> / <sub>8</sub> x 8 <sup>9</sup> / <sub>16</sub> x 5	.520	25	1050
12 <sup>7</sup> / <sub>8</sub> x 8 <sup>9</sup> / <sub>16</sub> x 5	.520	25	1050
12 <sup>15</sup> / <sub>16</sub> x 8 <sup>11</sup> / <sub>16</sub> x 6 <sup>7</sup> / <sub>8</sub>	.586	25	1050
13 x 8 x 8	.588	25	1050
13 x 8 <sup>5</sup> / <sub>8</sub> x 8	.638	25	1050
13 x 8 <sup>5</sup> / <sub>8</sub> x 9 <sup>7</sup> / <sub>8</sub>	.695	25	700
13 x 8 <sup>5</sup> / <sub>8</sub> x 9 <sup>7</sup> / <sub>8</sub>	.695	25	700
13 x 9 x 3 <sup>3</sup> / <sub>4</sub>	.498	25	1050
13 x 9 x 4 <sup>3</sup> / <sub>4</sub>	.536	25	1050
13 x 9 x 5 <sup>1</sup> / <sub>2</sub>	.555	25	1050
13 x 9 x 5 <sup>1</sup> / <sub>2</sub>	.555	25	1050
13 x 9 x 7	.612	25	1050
13 x 9 x 7	.612	25	1050
13 x 9 x 8 <sup>1</sup> / <sub>2</sub>	.668	25	700
13 x 9 x 8 <sup>1</sup> / <sub>2</sub>	.668	25	700
13 x 9 x 11	.765	25	500
13 x 9 x 11	.765	25	500
13 x 10 x 2 Style RETT/DF	.393	50	1400
13 x 10 x 2	.485	25	1050
13 x 10 x 4	.561	25	1050
13 x 10 x 4	.561	25	1050
13 x 10 <sup>1</sup> / <sub>4</sub> x 10	.814	25	500
13 x 10 <sup>1</sup> / <sub>4</sub> x 10	.814	25	500
13 x 11 x 5	.664	25	700
13 x 11 x 5	.664	25	700
13 x 11 x 9	.844	25	500
13 x 13 x 4 <sup>1</sup> / <sub>2</sub>	.837	25	500
13 x 13 x 4 <sup>1</sup> / <sub>2</sub>	.837	25	500
13 x 13 x 7 <sup>1</sup> / <sub>2</sub>	.916	25	500

GET QUOTE NOW

# SIZE INDEX

Size Length x Width x Depth	Wt. Per Each	No. Per Bundle	No. Per Full Pallet
13 x 13 x 7 <sup>1</sup> / <sub>2</sub>	.916	25	500
13 x 13 x 10	1.027	25	500
13 x 13 x 10	1.027	25	500
13 x 13 x 13	1.191	25	500
13 x 13 x 13	1.191	25	500
13 <sup>3</sup> / <sub>8</sub> x 13 <sup>3</sup> / <sub>8</sub> x 12	1.193	25	500
13 <sup>3</sup> / <sub>8</sub> x 13 <sup>3</sup> / <sub>8</sub> x 12	1.193	25	500
13 <sup>1</sup> / <sub>2</sub> x 7 <sup>1</sup> / <sub>2</sub> x 13 <sup>1</sup> / <sub>2</sub>	.768	25	500
13 <sup>1</sup> / <sub>2</sub> x 8 <sup>1</sup> / <sub>2</sub> x 10 <sup>1</sup> / <sub>2</sub>	.726	25	500
13 <sup>1</sup> / <sub>2</sub> x 8 <sup>1</sup> / <sub>2</sub> x 10 <sup>1</sup> / <sub>2</sub>	.726	25	500
13 <sup>1</sup> / <sub>2</sub> x 9 <sup>1</sup> / <sub>4</sub> x 5 <sup>7</sup> / <sub>8</sub>	.609	25	1050
13 <sup>1</sup> / <sub>2</sub> x 12 <sup>1</sup> / <sub>2</sub> x 10 <sup>1</sup> / <sub>4</sub>	1.018	25	500
13 <sup>1</sup> / <sub>2</sub> x 12 <sup>1</sup> / <sub>2</sub> x 10 <sup>1</sup> / <sub>4</sub>	1.018	25	500
13 <sup>1</sup> / <sub>2</sub> x 13 <sup>1</sup> / <sub>2</sub> x 2	.523	50	700
13 <sup>1</sup> / <sub>2</sub> x 13 <sup>1</sup> / <sub>2</sub> x 7 <sup>1</sup> / <sub>2</sub>	.972	25	500
13 <sup>1</sup> / <sub>2</sub> x 13 <sup>1</sup> / <sub>2</sub> x 7 <sup>1</sup> / <sub>2</sub>	.972	25	500
13 <sup>5</sup> / <sub>8</sub> x 6 <sup>3</sup> / <sub>4</sub> x 7 <sup>3</sup> / <sub>4</sub>	.528	25	1050
13 <sup>5</sup> / <sub>8</sub> x 7 x 7 <sup>5</sup> / <sub>8</sub>	.530	25	1050
13 <sup>5</sup> / <sub>8</sub> x 7 x 7 <sup>5</sup> / <sub>8</sub>	.530	25	1050
13 <sup>3</sup> / <sub>4</sub> x 10 <sup>1</sup> / <sub>4</sub> x 9	.787	25	500
13 <sup>3</sup> / <sub>4</sub> x 10 <sup>1</sup> / <sub>4</sub> x 9	.787	25	500
13 <sup>7</sup> / <sub>8</sub> x 11 <sup>1</sup> / <sub>4</sub> x 10 <sup>1</sup> / <sub>4</sub> (13 <sup>5</sup> / <sub>8</sub> x 11 Snapout and Continuous Forms)	.933	25	500
13 <sup>7</sup> / <sub>8</sub> x 11 <sup>1</sup> / <sub>4</sub> x 10 <sup>1</sup> / <sub>4</sub> (13 <sup>5</sup> / <sub>8</sub> x 11 Snapout and Continuous Forms)	.933	25	500
13 <sup>15</sup> / <sub>16</sub> x 9 <sup>9</sup> / <sub>16</sub> x 7 <sup>1</sup> / <sub>2</sub>	.684	25	1050
13 <sup>15</sup> / <sub>16</sub> x 9 <sup>9</sup> / <sub>16</sub> x 7 <sup>1</sup> / <sub>2</sub>	.684	25	1050
14 x 3 x 3	.238	50	2100
14 x 6 x 4	.355	25	1750
14 x 6 x 4	.355	25	1750
14 x 6 x 6	.424	25	1400
14 x 6 x 6	.424	25	1400
14 x 7 x 7	.529	25	1050
14 x 7 x 7	.529	25	1050
14 x 8 x 6	.554	25	1050
14 x 8 x 6	.554	25	1050
14 x 8 x 8	.630	25	1050
14 x 8 x 8	.630	25	1050
14 x 9 x 9	.738	25	500
14 x 9 x 9	.738	25	500
14 x 10 x 4	.600	25	1050
14 x 10 x 4	.600	25	1050
14 x 10 x 6	.685	25	1050
14 x 10 x 6	.685	25	1050
14 x 10 x 8	.769	25	750
14 x 10 x 8	.769	25	750
14 x 10 x 10	.854	25	500
14 x 10 x 10	.854	25	500
14 x 10 x 12	.935	25	500
14 x 10 x 12	.935	25	500
14 x 11 x 3	.608	25	1050
14 x 11 x 3	.608	25	1050
14 x 12 x 4	.738	25	500
14 x 12 x 4	.738	25	500
14 x 12 x 6	.828	25	500
14 x 12 x 6	.828	25	500
14 x 12 x 8 <sup>1</sup> / <sub>2</sub> (with extra scores at 2 <sup>1</sup> / <sub>2</sub> "-4 <sup>1</sup> / <sub>2</sub> "-6 <sup>1</sup> / <sub>2</sub> "	.934	25	500
14 x 12 x 9 <sup>1</sup> / <sub>8</sub>	.972	25	500
14 x 12 x 9 <sup>1</sup> / <sub>8</sub>	.972	25	500
14 x 12 x 12	1.103	25	500
14 x 12 x 12	1.103	25	500
14 x 12 x 46 (Golf Club)	2.704	15	270
14 x 14 x 1/2-2 (Vari-depth)	.438	50	700
14 x 14 x 4	.875	25	500
14 x 14 x 5	.939	25	500
14 x 14 x 5	.939	25	500
14 x 14 x 6	.988	25	500

GET QUOTE NOW

# SIZE INDEX

Size Length x Width x Depth	Wt. Per Each	No. Per Bundle	No. Per Full Pallet
14 x 14 x 6	.988	25	500
14 x 14 x 7	1.038	25	500
14 x 14 x 7	1.038	25	500
14 x 14 x 8	1.086	25	500
14 x 14 x 8	1.086	25	500
14 x 14 x 9	1.137	25	500
14 x 14 x 9	1.137	25	500
14 x 14 x 10	1.185	25	500
14 x 14 x 10	1.185	25	500
14 x 14 x 12	1.283	25	500
14 x 14 x 12	1.283	25	500
14 x 14 x 14	1.381	25	500
14 x 14 x 14	1.381	25	500
14 x 14 x 14 (Heavy Duty)	2.022	20	480
14 x 14 x 14 (Doublewall)	2.244	15	150
14 x 14 x 18	1.572	20	240
14 x 14 x 18	1.572	20	240
14 x 14 x 20	1.668	20	240
14 x 14 x 24	1.865	20	240
14 x 14 x 24	1.865	20	240
14 x 14 x 30	2.177	20	240
14 x 14 x 36	2.480	15	270
14 <sup>1</sup> / <sub>8</sub> x 8 <sup>5</sup> / <sub>8</sub> x 4	.516	25	1050
14 <sup>1</sup> / <sub>8</sub> x 8 <sup>5</sup> / <sub>8</sub> x 10	.756	25	500
14 <sup>1</sup> / <sub>8</sub> x 8 <sup>5</sup> / <sub>8</sub> x 12 (with extra scores at 6"-8"-10")	.837	25	500
14 <sup>1</sup> / <sub>8</sub> x 8 <sup>5</sup> / <sub>8</sub> x 12	.837	25	500
14 <sup>1</sup> / <sub>8</sub> x 11 <sup>3</sup> / <sub>4</sub> x 6 <sup>5</sup> / <sub>16</sub>	.829	25	500
14 <sup>1</sup> / <sub>8</sub> x 11 <sup>3</sup> / <sub>4</sub> x 6 <sup>5</sup> / <sub>16</sub>	.829	25	500
14 <sup>1</sup> / <sub>4</sub> x 8 <sup>3</sup> / <sub>4</sub> x 2 (Legal Size) Style RETT/DF	.363	50	1400
14 <sup>1</sup> / <sub>2</sub> x 9 <sup>1</sup> / <sub>2</sub> x 12	.918	25	500
14 <sup>1</sup> / <sub>2</sub> x 9 <sup>1</sup> / <sub>2</sub> x 12	.918	25	500
14 <sup>1</sup> / <sub>2</sub> x 10 x 9	.820	25	500
14 <sup>1</sup> / <sub>2</sub> x 13 x 4 <sup>1</sup> / <sub>2</sub>	.852	25	500
14 <sup>3</sup> / <sub>4</sub> x 12 <sup>1</sup> / <sub>4</sub> x 5 <sup>7</sup> / <sub>8</sub>	.857	25	500
14 <sup>3</sup> / <sub>4</sub> x 12 <sup>1</sup> / <sub>4</sub> x 10 <sup>3</sup> / <sub>8</sub>	1.070	25	500
15 x 7 x 5	.477	25	1400
15 x 7 x 5	.477	25	1400
15 x 8 x 7	.619	25	1050
15 x 8 x 7	.619	25	1050
15 x 9 x 8	.728	25	700
15 x 9 x 8	.728	25	700
15 x 9 <sup>1</sup> / <sub>4</sub> x 1 <sup>1</sup> / <sub>2</sub> -2 (Vari-depth)	.313	50	1400
15 x 9 <sup>1</sup> / <sub>4</sub> x 6	.660	25	1050
15 x 9 <sup>1</sup> / <sub>4</sub> x 6	.660	25	1050
15 x 9 <sup>3</sup> / <sub>4</sub> x 6 <sup>1</sup> / <sub>4</sub>	.699	25	700
15 x 9 <sup>3</sup> / <sub>4</sub> x 8 <sup>1</sup> / <sub>2</sub>	.796	25	500
15 x 9 <sup>3</sup> / <sub>4</sub> x 11 <sup>5</sup> / <sub>8</sub>	.932	25	500
15 x 10 x 5	.668	25	700
15 x 10 x 5	.668	25	700
15 x 10 x 14	1.056	25	500
15 x 11 x 2	.462	50	700
15 x 11 x 7	.830	25	500
15 x 11 x 7	.830	25	500
15 x 11 x 11	1.004	25	500
15 x 11 <sup>1</sup> / <sub>2</sub> x 1 <sup>1</sup> / <sub>2</sub> -2 (Vari-depth)	.376	50	700
15 x 12 x 4	.767	25	750
15 x 12 x 4	.767	25	750
15 x 12 x 8	.955	25	500
15 x 12 x 8	.955	25	500
15 x 12 x 10	1.050	25	500
15 x 12 x 10	1.050	25	500
15 x 12 x 12	1.146	25	500
15 x 12 x 12	1.146	25	500
15 x 13 x 7	.975	25	500
15 x 15 x 2	.475	50	700

GET QUOTE NOW

# SIZE INDEX

Size Length x Width x Depth	Wt. Per Each	No. Per Bundle	No. Per Full Pallet
15 x 15 x 2	.511	50	700
15 x 15 x 4	.993	25	500
15 x 15 x 5	1.058	25	500
15 x 15 x 5	1.058	25	500
15 x 15 x 6	1.107	25	375
15 x 15 x 6	1.107	25	375
15 x 15 x 10	1.318	25	250
15 x 15 x 10	1.318	25	250
15 x 15 x 12	1.424	25	250
15 x 15 x 12	1.424	25	250
15 x 15 x 15	1.579	20	240
15 x 15 x 15	1.579	20	240
15 x 15 x 15 (Doublewall)	2.595	10	160
15 x 15 x 20	1.840	20	240
15 x 15 x 20	1.840	20	240
15 x 15 x 30	2.301	15	135
15 x 15 x 30	2.301	15	135
15 x 15 x 36	2.696	15	135
15 x 15 x 40	2.910	15	135
15 x 15 x 56	3.754	10	130
15 <sup>1</sup> / <sub>8</sub> x 8 <sup>3</sup> / <sub>4</sub> x 2 (For 14 <sup>7</sup> / <sub>8</sub> " x 8 <sup>1</sup> / <sub>2</sub> " Snapout) Style RETT	.368	50	1400
15 <sup>1</sup> / <sub>8</sub> x 8 <sup>3</sup> / <sub>4</sub> x 3 (and Continuous Forms) Style RETT	.429	50	1400
15 <sup>1</sup> / <sub>8</sub> x 8 <sup>3</sup> / <sub>4</sub> x 10 <sup>1</sup> / <sub>4</sub> (14 <sup>7</sup> / <sub>8</sub> " x 8 <sup>1</sup> / <sub>2</sub> " Snapout and Continuous Forms)	.789	25	500
15 <sup>1</sup> / <sub>8</sub> x 8 <sup>3</sup> / <sub>4</sub> x 10 <sup>1</sup> / <sub>4</sub> (14 <sup>7</sup> / <sub>8</sub> " x 8 <sup>1</sup> / <sub>2</sub> " Snapout and Continuous Forms)	.789	25	500
15 <sup>1</sup> / <sub>8</sub> x 11 <sup>1</sup> / <sub>4</sub> x 2 (For 14 <sup>7</sup> / <sub>8</sub> " x 11" Snapout) Style RETT	.450	50	1400
15 <sup>1</sup> / <sub>8</sub> x 11 <sup>1</sup> / <sub>4</sub> x 3 (and Continuous Forms) Style RETT	.525	50	700
15 <sup>1</sup> / <sub>8</sub> x 11 <sup>1</sup> / <sub>4</sub> x 10 <sup>1</sup> / <sub>4</sub> (14 <sup>7</sup> / <sub>8</sub> " x 11" Snapout and Continuous Forms)	1.005	25	500
15 <sup>1</sup> / <sub>8</sub> x 11 <sup>1</sup> / <sub>4</sub> x 10 <sup>1</sup> / <sub>4</sub> (14 <sup>7</sup> / <sub>8</sub> " x 11" Snapout and Continuous Forms)	1.005	25	500
15 <sup>1</sup> / <sub>4</sub> x 10 <sup>1</sup> / <sub>8</sub> x 9 <sup>5</sup> / <sub>8</sub> (with extra score at 7 <sup>5</sup> / <sub>8</sub> "	.879	25	500
15 <sup>1</sup> / <sub>2</sub> x 10 x 3 <sup>1</sup> / <sub>4</sub> (Die Cut Steak Box)	.631	50	700
15 <sup>1</sup> / <sub>2</sub> x 14 <sup>1</sup> / <sub>2</sub> x 10 <sup>1</sup> / <sub>2</sub>	1.318	20	240
15 <sup>1</sup> / <sub>2</sub> x 14 <sup>1</sup> / <sub>2</sub> x 10 <sup>1</sup> / <sub>2</sub>	1.318	20	240
15 <sup>3</sup> / <sub>4</sub> x 10 <sup>3</sup> / <sub>4</sub> x 6 <sup>3</sup> / <sub>8</sub>	.806	25	500
15 <sup>3</sup> / <sub>4</sub> x 10 <sup>3</sup> / <sub>4</sub> x 6 <sup>3</sup> / <sub>8</sub>	.806	25	500
15 <sup>3</sup> / <sub>4</sub> x 10 <sup>3</sup> / <sub>4</sub> x 9 <sup>1</sup> / <sub>2</sub>	.943	25	500
15 <sup>3</sup> / <sub>4</sub> x 10 <sup>3</sup> / <sub>4</sub> x 12 <sup>5</sup> / <sub>8</sub>	1.120	25	500
15 <sup>3</sup> / <sub>4</sub> x 10 <sup>3</sup> / <sub>4</sub> x 12 <sup>5</sup> / <sub>8</sub>	1.120	25	500
15 <sup>3</sup> / <sub>4</sub> x 10 <sup>3</sup> / <sub>4</sub> x 15 <sup>5</sup> / <sub>8</sub>	1.270	25	500
15 <sup>7</sup> / <sub>8</sub> x 3 <sup>3</sup> / <sub>4</sub> x 2 <sup>5</sup> / <sub>8</sub> (930 Trading Cards) Style ECCO/ST	.273	50	2100
16 x 5 x 5	.373	25	1400
16 x 5 x 5	.373	25	1400
16 x 6 x 4	.396	25	1000
16 x 6 x 6	.478	25	1000
16 x 6 x 6	.478	25	1000
16 x 7 x 7	.578	25	750
16 x 7 x 7	.578	25	750
16 x 8 x 4	.528	25	750
16 x 8 x 6	.602	25	750
16 x 8 x 6	.602	25	750
16 x 8 x 8	.687	25	500
16 x 8 x 8	.687	25	500
16 x 9 x 3	.538	25	1000
16 x 9 x 3	.538	25	1000
16 x 10 x 6	.741	25	750
16 x 10 x 6	.741	25	750
16 x 10 x 8	.832	25	500
16 x 10 x 8	.832	25	500
16 x 10 x 10	.923	25	500
16 x 10 x 10	.923	25	500
16 x 11 x 9	.957	25	500
16 x 11 x 10	1.005	25	500
16 x 11 x 10	1.005	25	500
16 x 12 x 1 <sup>1</sup> / <sub>2</sub> Style ECCO/DF	.461	25	1400
16 x 12 x 4	.795	25	500
16 x 12 x 4	.795	25	500

GET QUOTE NOW

# SIZE INDEX

Size Length × Width × Depth	Wt. Per Each	No. Per Bundle	No. Per Full Pallet
16 × 12 × 6	.892	25	500
16 × 12 × 6	.892	25	500
16 × 12 × 8	.991	25	500
16 × 12 × 8	.991	25	500
16 × 12 × 10	1.089	25	500
16 × 12 × 10	1.089	25	500
16 × 12 × 12	1.188	25	500
16 × 12 × 12	1.188	25	500
16 × 12 × 12 (Doublewall)	1.935	15	300
16 × 12 <sup>1</sup> / <sub>4</sub> × 1 <sup>1</sup> / <sub>2</sub> -2 (Vari-depth)	.431	50	700
16 × 12 <sup>3</sup> / <sub>4</sub> × 12 <sup>3</sup> / <sub>4</sub> (1.5 Cu. Ft.)	1.289	25	500
16 × 12 <sup>3</sup> / <sub>4</sub> × 12 <sup>3</sup> / <sub>4</sub> (1.5 Cu. Ft.)	1.289	25	500
16 × 14 × 4	.952	25	500
16 × 14 × 4	.952	25	500
16 × 14 × 5	.994	25	500
16 × 14 × 6	1.057	25	500
16 × 14 × 6	1.057	25	500
16 × 14 × 8	1.163	25	250
16 × 14 × 8	1.163	25	250
16 × 14 × 10	1.263	25	250
16 × 14 × 10	1.263	25	250
16 × 14 × 12	1.368	20	240
16 × 14 × 12	1.368	20	240
16 × 16 × 2	.531	50	700
16 × 16 × 4	1.121	25	500
16 × 16 × 4	1.121	25	500
16 × 16 × 6	1.233	25	500
16 × 16 × 6	1.233	25	500
16 × 16 × 8	1.346	25	250
16 × 16 × 8	1.346	25	250
16 × 16 × 9	1.445	20	240
16 × 16 × 10	1.458	20	240
16 × 16 × 10	1.458	20	240
16 × 16 × 11	1.544	20	240
16 × 16 × 12	1.564	20	240
16 × 16 × 12	1.564	20	240
16 × 16 × 16	1.789	20	240
16 × 16 × 16	1.789	20	240
16 × 16 × 16 (Heavy Duty)	2.643	15	270
16 × 16 × 16 (Doublewall)	2.949	10	160
16 × 16 × 16 (Doublewall)	2.949	10	160
16 × 16 × 19	1.958	15	270
16 × 16 × 19	1.958	15	270
16 × 16 × 26	2.374	15	135
16 × 16 × 34	2.800	15	135
16 × 16 × 36	2.835	10	130
16 × 16 × 36	2.835	10	130
16 <sup>1</sup> / <sub>8</sub> × 10 <sup>3</sup> / <sub>4</sub> × 8	.885	25	500
16 <sup>1</sup> / <sub>8</sub> × 12 <sup>1</sup> / <sub>16</sub> × 9 <sup>1</sup> / <sub>4</sub>	1.062	25	500
16 <sup>1</sup> / <sub>4</sub> × 12 <sup>1</sup> / <sub>4</sub> × 11 <sup>3</sup> / <sub>16</sub>	1.178	25	500
16 <sup>1</sup> / <sub>4</sub> × 12 <sup>1</sup> / <sub>4</sub> × 11 <sup>3</sup> / <sub>16</sub>	1.178	25	500
16 <sup>1</sup> / <sub>2</sub> × 9 × 9	.817	25	500
16 <sup>1</sup> / <sub>2</sub> × 10 <sup>7</sup> / <sub>8</sub> × 7 <sup>3</sup> / <sub>4</sub>	.904	25	500
16 <sup>1</sup> / <sub>2</sub> × 10 <sup>7</sup> / <sub>8</sub> × 7 <sup>3</sup> / <sub>4</sub>	.904	25	500
16 <sup>5</sup> / <sub>8</sub> × 14 <sup>1</sup> / <sub>4</sub> × 12 <sup>1</sup> / <sub>8</sub>	1.430	20	240
16 <sup>5</sup> / <sub>8</sub> × 14 <sup>1</sup> / <sub>4</sub> × 12 <sup>1</sup> / <sub>8</sub>	1.430	20	240
16 <sup>5</sup> / <sub>8</sub> × 14 <sup>1</sup> / <sub>4</sub> × 24	2.066	15	270
16 <sup>3</sup> / <sub>4</sub> × 8 <sup>3</sup> / <sub>8</sub> × 17 <sup>1</sup> / <sub>2</sub> (TW11, 4 Pack Master)	1.156	25	500
16 <sup>3</sup> / <sub>4</sub> × 12 <sup>1</sup> / <sub>2</sub> × 12 <sup>1</sup> / <sub>2</sub>	1.311	25	500
16 <sup>3</sup> / <sub>4</sub> × 16 <sup>3</sup> / <sub>4</sub> × 17 <sup>1</sup> / <sub>2</sub> (R11, 8 Pack Master)	2.004	15	270
16 <sup>3</sup> / <sub>4</sub> × 16 <sup>3</sup> / <sub>4</sub> × 17 <sup>1</sup> / <sub>2</sub> (TW11, 8 Pack Master)	2.004	15	270
17 × 7 × 7	.599	25	750
17 × 9 × 9	.833	25	500
17 × 9 × 9	.833	25	500
17 × 10 × 6	.768	25	500

GET QUOTE NOW

# SIZE INDEX

Size Length x Width x Depth		Wt. Per Each	No. Per Bundle	No. Per Full Pallet
17 x 10 x 6		.768	25	500
17 x 10 x 7		.817	25	500
17 x 11 x 2 <sup>1</sup> / <sub>2</sub>	Style RETT/DF	.567	25	700
17 x 11 x 2 <sup>5</sup> / <sub>8</sub>		.671	25	500
17 x 14 x 5		1.039	25	500
17 x 14 x 5		1.039	25	500
17 x 14 x 9		1.253	20	240
17 x 14 x 9		1.253	20	240
17 x 15 x 8 <sup>1</sup> / <sub>2</sub>	(with extra scores at 2 <sup>1</sup> / <sub>2</sub> "-4 <sup>1</sup> / <sub>2</sub> "-6 <sup>1</sup> / <sub>2</sub> "	1.356	25	250
17 x 17 x 2		.605	50	700
17 x 17 x 17		2.014	15	270
17 x 17 x 17		2.014	15	270
17 <sup>1</sup> / <sub>8</sub> x 11 <sup>7</sup> / <sub>8</sub> x 10		1.143	25	500
17 <sup>1</sup> / <sub>4</sub> x 11 <sup>1</sup> / <sub>8</sub> x 8 <sup>3</sup> / <sub>4</sub>	(Letterhead)	.997	25	500
17 <sup>1</sup> / <sub>4</sub> x 11 <sup>1</sup> / <sub>4</sub> x 10 <sup>1</sup> / <sub>4</sub>	(Letterhead)	1.099	25	500
17 <sup>1</sup> / <sub>4</sub> x 12 <sup>3</sup> / <sub>4</sub> x 5 <sup>7</sup> / <sub>8</sub>		.973	25	500
17 <sup>1</sup> / <sub>4</sub> x 13 x 4 <sup>7</sup> / <sub>8</sub>		.956	25	500
17 <sup>1</sup> / <sub>4</sub> x 13 x 4 <sup>7</sup> / <sub>8</sub>		.956	25	500
17 <sup>1</sup> / <sub>4</sub> x 14 <sup>1</sup> / <sub>4</sub> x 10 <sup>3</sup> / <sub>4</sub>	(Letterhead)	1.401	25	250
17 <sup>1</sup> / <sub>4</sub> x 14 <sup>1</sup> / <sub>4</sub> x 12 <sup>1</sup> / <sub>2</sub>	(Letterhead)	1.509	25	250
17 <sup>1</sup> / <sub>4</sub> x 17 <sup>1</sup> / <sub>4</sub> x 8		1.520	20	240
17 <sup>1</sup> / <sub>4</sub> x 17 <sup>1</sup> / <sub>4</sub> x 8		1.520	20	240
17 <sup>1</sup> / <sub>4</sub> x 17 <sup>1</sup> / <sub>4</sub> x 11		1.699	15	270
17 <sup>1</sup> / <sub>4</sub> x 17 <sup>1</sup> / <sub>4</sub> x 11		1.699	15	270
17 <sup>1</sup> / <sub>4</sub> x 17 <sup>1</sup> / <sub>4</sub> x 14 <sup>1</sup> / <sub>2</sub>		1.910	15	270
17 <sup>1</sup> / <sub>4</sub> x 17 <sup>1</sup> / <sub>4</sub> x 14 <sup>1</sup> / <sub>2</sub>		1.910	15	270
17 <sup>1</sup> / <sub>2</sub> x 11 <sup>1</sup> / <sub>4</sub> x 11 <sup>1</sup> / <sub>4</sub>	(Letterhead)	1.158	25	500
17 <sup>1</sup> / <sub>2</sub> x 11 <sup>1</sup> / <sub>2</sub> x 8 <sup>3</sup> / <sub>4</sub>	(Letterhead)	1.038	25	500
17 <sup>1</sup> / <sub>2</sub> x 11 <sup>1</sup> / <sub>2</sub> x 8 <sup>3</sup> / <sub>4</sub>	(Letterhead)	1.038	25	500
17 <sup>1</sup> / <sub>2</sub> x 11 <sup>1</sup> / <sub>2</sub> x 9 <sup>1</sup> / <sub>2</sub>	(Letterhead)	1.077	25	500
17 <sup>1</sup> / <sub>2</sub> x 11 <sup>1</sup> / <sub>2</sub> x 10 <sup>1</sup> / <sub>4</sub>	(Letterhead)	1.147	25	500
17 <sup>1</sup> / <sub>2</sub> x 11 <sup>1</sup> / <sub>2</sub> x 10 <sup>3</sup> / <sub>4</sub>	(Letterhead)	1.171	25	500
17 <sup>1</sup> / <sub>2</sub> x 11 <sup>1</sup> / <sub>2</sub> x 10 <sup>3</sup> / <sub>4</sub>	(Letterhead)	1.171	25	500
17 <sup>1</sup> / <sub>2</sub> x 11 <sup>1</sup> / <sub>2</sub> x 11	(Letterhead with extra scores at 5"-7"-9")	1.185	25	500
17 <sup>1</sup> / <sub>2</sub> x 11 <sup>1</sup> / <sub>2</sub> x 11 <sup>1</sup> / <sub>2</sub>	(Letterhead)	1.182	25	500
17 <sup>1</sup> / <sub>2</sub> x 11 <sup>1</sup> / <sub>2</sub> x 11 <sup>1</sup> / <sub>2</sub>	(Letterhead)	1.182	25	500
17 <sup>1</sup> / <sub>2</sub> x 11 <sup>1</sup> / <sub>2</sub> x 11 <sup>1</sup> / <sub>2</sub>	<b>(Heavy Duty)</b> (Letterhead)	1.739	25	500
17 <sup>1</sup> / <sub>2</sub> x 11 <sup>1</sup> / <sub>2</sub> x 14 <sup>1</sup> / <sub>4</sub>	(Letterhead)	1.316	25	500
17 <sup>1</sup> / <sub>2</sub> x 11 <sup>1</sup> / <sub>2</sub> x 14 <sup>1</sup> / <sub>4</sub>	(Letterhead)	1.316	25	500
17 <sup>3</sup> / <sub>4</sub> x 11 <sup>1</sup> / <sub>2</sub> x 1 <sup>1</sup> / <sub>2</sub> -2	(Letterhead Vari-depth)	.445	50	1400
17 <sup>3</sup> / <sub>4</sub> x 11 <sup>1</sup> / <sub>2</sub> x 12 <sup>1</sup> / <sub>2</sub>	(Letterhead with extra scores at 6"-8"-10")	1.243	25	500
17 <sup>3</sup> / <sub>4</sub> x 11 <sup>1</sup> / <sub>2</sub> x 12 <sup>1</sup> / <sub>2</sub>	(Letterhead with extra scores at 6"-8"-10")	1.243	25	500
17 <sup>3</sup> / <sub>4</sub> x 14 <sup>1</sup> / <sub>2</sub> x 1 <sup>1</sup> / <sub>2</sub> -2	(Letterhead Vari-depth)	.542	50	700
17 <sup>3</sup> / <sub>4</sub> x 14 <sup>1</sup> / <sub>2</sub> x 10 <sup>3</sup> / <sub>4</sub>	(Letterhead)	1.461	25	250
17 <sup>3</sup> / <sub>4</sub> x 14 <sup>1</sup> / <sub>2</sub> x 11 <sup>1</sup> / <sub>8</sub>	(Letterhead)	1.480	25	250
17 <sup>3</sup> / <sub>4</sub> x 14 <sup>1</sup> / <sub>2</sub> x 12 <sup>1</sup> / <sub>2</sub>	(Letterhead)	1.526	25	250
17 <sup>3</sup> / <sub>4</sub> x 14 <sup>1</sup> / <sub>2</sub> x 12 <sup>1</sup> / <sub>2</sub>	(Letterhead)	1.526	25	250
18 x 6 x 6		.520	25	750
18 x 6 x 6		.520	25	750
18 x 8 x 6		.652	25	750
18 x 8 x 6		.652	25	750
18 x 9 x 9		.864	25	500
18 x 9 x 9		.864	25	500
18 x 10 x 6		.797	25	500
18 x 10 x 6		.797	25	500
18 x 10 x 10		.993	25	500
18 x 10 x 10		.993	25	500
18 x 11 x 5 <sup>7</sup> / <sub>8</sub>	<b>(Heavy Duty)</b>	1.280	25	500
18 x 11 x 10 <sup>3</sup> / <sub>8</sub>	<b>(Heavy Duty)</b>	1.610	25	500
18 x 12 x 1 <sup>1</sup> / <sub>2</sub>	Style ECCO/DF	.505	25	700
18 x 12 x 5		.904	25	500
18 x 12 x 5		.904	25	500
18 x 12 x 6		.956	25	500
18 x 12 x 6		.956	25	500
18 x 12 x 8		1.059	25	500

GET QUOTE NOW

# SIZE INDEX

Size Length × Width × Depth	Wt. Per Each	No. Per Bundle	No. Per Full Pallet
18 × 12 × 8	1.059	25	500
18 × 12 × 9	1.113	25	500
18 × 12 × 9	1.113	25	500
18 × 12 × 10	1.168	25	500
18 × 12 × 10	1.168	25	500
18 × 12 × 12	1.268	25	500
18 × 12 × 12	1.268	25	500
18 × 12 × 12	1.867	20	240
18 × 12 × 12	2.070	15	150
18 × 12 <sup>3</sup> / <sub>4</sub> × 10	1.231	25	500
18 × 13 × 11	1.309	25	250
18 × 13 × 12	1.362	25	250
18 × 13 × 12	1.362	25	250
18 × 14 × 4	1.016	25	500
18 × 14 × 4	1.016	25	500
18 × 14 × 6	1.125	25	375
18 × 14 × 6	1.125	25	375
18 × 14 × 8	1.238	25	250
18 × 14 × 8	1.238	25	250
18 × 14 × 10	1.350	25	250
18 × 14 × 10	1.350	25	250
18 × 14 × 12	1.463	25	250
18 × 14 × 12	1.463	25	250
18 × 14 × 12	2.387	15	150
18 × 14 <sup>3</sup> / <sub>4</sub> × 7 <sup>9</sup> / <sub>16</sub>	1.887	20	240
18 × 14 <sup>3</sup> / <sub>4</sub> × 15 <sup>7</sup> / <sub>8</sub>	2.587	15	270
18 × 16 × 4	1.194	20	360
18 × 16 × 4	1.194	20	360
18 × 16 × 6	1.313	20	240
18 × 16 × 6	1.313	20	240
18 × 16 × 8	1.431	20	240
18 × 16 × 8	1.431	20	240
18 × 16 × 10	1.550	20	240
18 × 16 × 10	1.550	20	240
18 × 16 × 12	1.669	15	270
18 × 16 × 12	1.669	15	270
18 × 18 × 4	1.389	25	250
18 × 18 × 4	1.389	25	250
18 × 18 × 6	1.513	25	250
18 × 18 × 6	1.513	25	250
18 × 18 × 8	1.637	20	240
18 × 18 × 8	1.637	20	240
18 × 18 × 10	1.760	15	270
18 × 18 × 10	1.760	15	270
18 × 18 × 12	1.884	15	270
18 × 18 × 12	1.884	15	270
18 × 18 × 15	2.070	15	270
18 × 18 × 15	2.070	15	270
18 × 18 × 16	2.131	15	270
18 × 18 × 16	2.131	15	270
18 × 18 × 18	2.255	15	135
18 × 18 × 18	2.255	15	135
18 × 18 × 18	3.329	10	120
18 × 18 × 18	3.706	10	80
18 × 18 × 18	3.706	10	80
18 × 18 × 24	2.635	15	135
18 × 18 × 24	2.635	15	135
18 × 18 × 27	4.584	5	80
18 <sup>1</sup> / <sub>4</sub> × 16 <sup>1</sup> / <sub>2</sub> × 10 <sup>3</sup> / <sub>8</sub>	1.632	20	240
18 <sup>1</sup> / <sub>4</sub> × 16 <sup>1</sup> / <sub>2</sub> × 10 <sup>3</sup> / <sub>8</sub>	1.632	20	240
18 <sup>5</sup> / <sub>16</sub> × 12 <sup>1</sup> / <sub>4</sub> × 9 <sup>5</sup> / <sub>16</sub>	1.152	25	500
18 <sup>5</sup> / <sub>16</sub> × 12 <sup>1</sup> / <sub>4</sub> × 9 <sup>5</sup> / <sub>16</sub>	1.152	25	500
18 <sup>1</sup> / <sub>2</sub> × 11 <sup>1</sup> / <sub>2</sub> × 3	.772	25	500
18 <sup>1</sup> / <sub>2</sub> × 18 <sup>1</sup> / <sub>2</sub> × 10 <sup>1</sup> / <sub>2</sub>	1.875	15	270
18 <sup>1</sup> / <sub>2</sub> × 18 <sup>1</sup> / <sub>2</sub> × 10 <sup>1</sup> / <sub>2</sub>	1.875	15	270

GET QUOTE NOW

# SIZE INDEX

Size Length x Width x Depth	Wt. Per Each	No. Per Bundle	No. Per Full Pallet
18 <sup>1</sup> / <sub>2</sub> x 18 <sup>1</sup> / <sub>2</sub> x 12	1.968	15	270
18 <sup>1</sup> / <sub>2</sub> x 18 <sup>1</sup> / <sub>2</sub> x 12	1.968	15	270
18 <sup>1</sup> / <sub>2</sub> x 18 <sup>1</sup> / <sub>2</sub> x 16 <sup>1</sup> / <sub>2</sub>	2.257	15	135
18 <sup>1</sup> / <sub>2</sub> x 18 <sup>1</sup> / <sub>2</sub> x 16 <sup>1</sup> / <sub>2</sub>	2.257	15	135
18 <sup>1</sup> / <sub>2</sub> x 18 <sup>1</sup> / <sub>2</sub> x 20 <sup>1</sup> / <sub>2</sub> (4.1 Cu. Ft.)	2.509	15	135
18 <sup>1</sup> / <sub>2</sub> x 18 <sup>1</sup> / <sub>2</sub> x 20 <sup>1</sup> / <sub>2</sub> (4.1 Cu. Ft.)	2.509	15	135
18 <sup>1</sup> / <sub>2</sub> x 18 <sup>1</sup> / <sub>2</sub> x 30 <sup>1</sup> / <sub>2</sub>	3.083	10	130
18 <sup>1</sup> / <sub>2</sub> x 18 <sup>1</sup> / <sub>2</sub> x 30 <sup>1</sup> / <sub>2</sub>	3.083	10	130
18 <sup>1</sup> / <sub>2</sub> x 18 <sup>1</sup> / <sub>2</sub> x 36	3.539	10	130
18 <sup>5</sup> / <sub>8</sub> x 12 <sup>1</sup> / <sub>2</sub> x 7	1.071	25	500
18 <sup>5</sup> / <sub>8</sub> x 12 <sup>1</sup> / <sub>2</sub> x 7	1.071	25	500
18 <sup>5</sup> / <sub>8</sub> x 12 <sup>1</sup> / <sub>2</sub> x 7 <sup>1</sup> / <sub>2</sub>	1.120	25	500
18 <sup>3</sup> / <sub>4</sub> x 10 <sup>3</sup> / <sub>4</sub> x 9 <sup>1</sup> / <sub>2</sub>	1.057	25	500
19 x 6 x 4	.451	25	1000
19 x 6 x 4	.451	25	1000
19 x 7 x 7	.654	25	750
19 x 7 x 7	.654	25	750
19 x 8 x 8	.771	25	500
19 x 8 x 8	.771	25	500
19 x 12 x 2 <sup>1</sup> / <sub>2</sub> Style RETT	.606	25	700
19 x 12 x 3 Style RETT/DF	.716	25	700
19 x 12 x 3	.825	25	500
19 x 12 x 3	.825	25	500
19 x 12 x 4	.869	25	500
19 x 12 <sup>1</sup> / <sub>2</sub> x 13 <sup>3</sup> / <sub>4</sub> (#6 <sup>3</sup> / <sub>4</sub> Envelope)	1.454	25	250
19 x 12 <sup>1</sup> / <sub>2</sub> x 13 <sup>3</sup> / <sub>4</sub> (#6 <sup>3</sup> / <sub>4</sub> Envelope)	1.454	25	250
19 x 14 x 14 <sup>3</sup> / <sub>4</sub> (with extra score at 12 <sup>3</sup> / <sub>4</sub> "	1.709	25	250
19 x 14 <sup>1</sup> / <sub>4</sub> x 12	1.532	25	250
19 x 14 <sup>1</sup> / <sub>4</sub> x 12	1.532	25	250
19 x 14 <sup>1</sup> / <sub>4</sub> x 23 <sup>7</sup> / <sub>8</sub>	2.270	15	135
19 x 15 x 6	1.260	25	375
19 x 15 x 6	1.260	25	375
19 <sup>3</sup> / <sub>4</sub> x 14 <sup>3</sup> / <sub>4</sub> x 10 <sup>1</sup> / <sub>8</sub>	1.544	25	250
19 <sup>3</sup> / <sub>4</sub> x 15 x 13	1.703	20	240
19 <sup>3</sup> / <sub>4</sub> x 15 x 13	1.703	20	240
20 x 4 x 4	.353	25	1750
20 x 4 x 4	.353	25	1750
20 x 5 x 5	.454	25	1400
20 x 6 x 6	.563	25	500
20 x 6 x 6	.563	25	500
20 x 8 x 8	.799	25	500
20 x 8 x 8	.799	25	500
20 x 10 x 2 <sup>1</sup> / <sub>4</sub> Style ECCO/DF	.558	25	700
20 x 10 x 6	.853	25	500
20 x 10 x 6	.853	25	500
20 x 10 x 8	.958	25	500
20 x 10 x 8	.958	25	500
20 x 10 x 10	1.062	25	500
20 x 10 x 10	1.062	25	500
20 x 12 x 6	1.018	25	500
20 x 12 x 6	1.018	25	500
20 x 12 x 8	1.127	25	375
20 x 12 x 8	1.127	25	375
20 x 12 x 10	1.267	25	250
20 x 12 x 12	1.352	25	500
20 x 12 x 12	1.352	25	500
20 x 12 x 12 (Doublewall)	2.232	10	160
20 x 12 x 16	1.617	20	240
20 x 13 x 10	1.365	25	250
20 x 13 x 10	1.365	25	250
20 x 14 x 6	1.198	25	375
20 x 14 x 6	1.198	25	375
20 x 14 x 8 (Doublewall)	2.144	15	150
20 x 14 x 10	1.436	25	250
20 x 14 x 10	1.436	25	250
20 x 14 x 12 (#6 <sup>3</sup> / <sub>4</sub> Envelope)	1.554	25	250

GET QUOTE NOW

# SIZE INDEX

Size Length x Width x Depth	Wt. Per Each	No. Per Bundle	No. Per Full Pallet
20 x 14 x 12 (#6 <sup>3</sup> / <sub>4</sub> Envelope)	1.554	25	250
20 x 14 x 14	1.673	20	240
20 x 14 x 14	1.673	20	240
20 x 15 x 8 <sup>1</sup> / <sub>2</sub>	1.481	25	250
20 x 15 x 9	1.476	20	240
20 x 15 x 9	1.476	20	240
20 x 15 x 15	1.836	20	240
20 x 15 x 15	1.836	20	240
20 x 16 x 8	1.543	25	250
20 x 16 x 12	1.763	20	240
20 x 16 x 12	1.763	20	240
20 x 16 x 14	1.887	20	240
20 x 16 x 14	1.887	20	240
20 x 16 x 16	2.031	20	240
20 x 16 x 22	2.432	15	135
20 x 18 x 22	2.708	15	135
20 x 20 x 4	1.675	20	240
20 x 20 x 4	1.675	20	240
20 x 20 x 6	1.816	20	240
20 x 20 x 6	1.816	20	240
20 x 20 x 7	1.881	20	240
20 x 20 x 7	1.881	20	240
20 x 20 x 8	1.957	15	270
20 x 20 x 8	1.957	15	270
20 x 20 x 10	2.087	15	270
20 x 20 x 10	2.087	15	270
20 x 20 x 11	2.202	15	135
20 x 20 x 12	2.228	15	135
20 x 20 x 12	2.228	15	135
20 x 20 x 13	2.343	15	135
20 x 20 x 14	2.369	15	135
20 x 20 x 14	2.369	15	135
20 x 20 x 15 (3.5 Cu. Ft.)	2.434	15	135
20 x 20 x 15 (3.5 Cu. Ft.)	2.434	15	135
20 x 20 x 16	2.499	10	130
20 x 20 x 16	2.499	10	130
20 x 20 x 18 (4.2 Cu. Ft.)	2.640	10	130
20 x 20 x 18 (4.2 Cu. Ft.)	2.640	10	130
20 x 20 x 20 (4.6 Cu. Ft.)	2.781	10	130
20 x 20 x 20 (4.6 Cu. Ft.)	2.781	10	130
20 x 20 x 20 ( <b>Heavy Duty</b> )	4.090	10	130
20 x 20 x 20 ( <b>Doublewall</b> )	4.550	5	80
20 x 20 x 20 ( <b>Doublewall</b> )	4.550	5	80
20 x 20 x 24	3.001	10	130
20 x 20 x 25 (Max. U.S. Postal Service)	3.078	10	130
20 x 20 x 25 (Max. U.S. Postal Service)	3.078	10	130
20 x 20 x 36	3.808	10	130
20 x 20 x 36	3.808	10	130
20 x 20 x 40	4.076	5	135
20 x 20 x 40	4.076	5	135
20 x 20 x 48	4.652	5	135
20 <sup>3</sup> / <sub>16</sub> x 13 <sup>7</sup> / <sub>16</sub> x 7 <sup>3</sup> / <sub>4</sub>	1.250	25	500
20 <sup>3</sup> / <sub>16</sub> x 13 <sup>7</sup> / <sub>16</sub> x 7 <sup>3</sup> / <sub>4</sub>	1.250	25	500
20 <sup>1</sup> / <sub>2</sub> x 20 <sup>1</sup> / <sub>2</sub> x 10 <sup>1</sup> / <sub>4</sub>	2.251	15	270
20 <sup>1</sup> / <sub>2</sub> x 20 <sup>1</sup> / <sub>2</sub> x 20 <sup>1</sup> / <sub>2</sub>	2.990	15	135
20 <sup>5</sup> / <sub>8</sub> x 6 <sup>5</sup> / <sub>8</sub> x 4 <sup>1</sup> / <sub>8</sub> Style RETT/DF	.565	25	700
21 x 8 x 8	.852	25	500
21 x 12 x 12	1.392	15	270
21 x 12 x 12	1.392	15	270
21 x 14 x 14	1.720	15	270
21 x 14 x 14	1.720	15	270
21 x 18 x 8 <sup>1</sup> / <sub>2</sub> (with extra scores at 2 <sup>1</sup> / <sub>2</sub> "-4 <sup>1</sup> / <sub>2</sub> "-6 <sup>1</sup> / <sub>2</sub> "	1.803	15	270
21 x 18 x 8 <sup>1</sup> / <sub>2</sub> (with extra scores at 2 <sup>1</sup> / <sub>2</sub> "-4 <sup>1</sup> / <sub>2</sub> "-6 <sup>1</sup> / <sub>2</sub> "	1.803	15	270
21 <sup>3</sup> / <sub>8</sub> x 15 <sup>5</sup> / <sub>8</sub> x 6 <sup>3</sup> / <sub>8</sub>	1.455	15	270
21 <sup>3</sup> / <sub>8</sub> x 15 <sup>5</sup> / <sub>8</sub> x 6 <sup>5</sup> / <sub>8</sub>	1.450	15	270
21 <sup>3</sup> / <sub>8</sub> x 15 <sup>5</sup> / <sub>8</sub> x 6 <sup>5</sup> / <sub>8</sub>	1.450	15	270
21 <sup>3</sup> / <sub>8</sub> x 15 <sup>5</sup> / <sub>8</sub> x 9 <sup>1</sup> / <sub>2</sub>	1.628	15	270
21 <sup>3</sup> / <sub>8</sub> x 15 <sup>5</sup> / <sub>8</sub> x 9 <sup>1</sup> / <sub>2</sub>	1.628	15	270

GET QUOTE NOW

# SIZE INDEX

Size Length × Width × Depth	Wt. Per Each	No. Per Bundle	No. Per Full Pallet
21 <sup>3</sup> / <sub>8</sub> × 15 <sup>5</sup> / <sub>8</sub> × 12 <sup>5</sup> / <sub>8</sub>	1.832	15	270
21 <sup>3</sup> / <sub>8</sub> × 15 <sup>5</sup> / <sub>8</sub> × 12 <sup>5</sup> / <sub>8</sub>	1.832	15	270
21 <sup>3</sup> / <sub>8</sub> × 15 <sup>5</sup> / <sub>8</sub> × 15 <sup>3</sup> / <sub>4</sub>	2.028	15	270
21 <sup>3</sup> / <sub>8</sub> × 15 <sup>5</sup> / <sub>8</sub> × 15 <sup>3</sup> / <sub>4</sub>	2.028	15	270
21 <sup>3</sup> / <sub>8</sub> × 15 <sup>5</sup> / <sub>8</sub> × 18 <sup>5</sup> / <sub>8</sub>	2.215	15	135
21 <sup>3</sup> / <sub>8</sub> × 15 <sup>5</sup> / <sub>8</sub> × 18 <sup>5</sup> / <sub>8</sub>	2.215	15	135
21 <sup>3</sup> / <sub>8</sub> × 15 <sup>5</sup> / <sub>8</sub> × 30 <sup>5</sup> / <sub>8</sub>	2.920	10	130
21 <sup>3</sup> / <sub>8</sub> × 15 <sup>5</sup> / <sub>8</sub> × 30 <sup>5</sup> / <sub>8</sub>	2.920	10	130
21 <sup>3</sup> / <sub>8</sub> × 16 <sup>5</sup> / <sub>8</sub> × 12 <sup>1</sup> / <sub>8</sub>	1.910	15	270
21 <sup>3</sup> / <sub>8</sub> × 16 <sup>5</sup> / <sub>8</sub> × 12 <sup>1</sup> / <sub>8</sub>	1.910	15	270
21 <sup>3</sup> / <sub>8</sub> × 16 <sup>5</sup> / <sub>8</sub> × 24	2.704	10	130
21 <sup>1</sup> / <sub>2</sub> × 10 <sup>5</sup> / <sub>8</sub> × 15 <sup>1</sup> / <sub>2</sub>	1.479	20	240
21 <sup>1</sup> / <sub>2</sub> × 10 <sup>5</sup> / <sub>8</sub> × 15 <sup>1</sup> / <sub>2</sub>	1.479	20	240
21 <sup>3</sup> / <sub>4</sub> × 12 <sup>1</sup> / <sub>2</sub> × 9 <sup>7</sup> / <sub>8</sub> (#10 Envelope)	1.353	20	240
21 <sup>7</sup> / <sub>8</sub> × 17 <sup>7</sup> / <sub>8</sub> × 19 <sup>7</sup> / <sub>8</sub> (Heavy Duty)	3.846	10	130
22 × 6 × 6	.605	25	500
22 × 6 × 6	.605	25	500
22 × 10 × 4	.797	25	500
22 × 10 × 4	.797	25	500
22 × 10 × 9	1.076	25	500
22 × 10 × 9	1.076	25	500
22 × 12 × 10	1.348	25	250
22 × 12 × 12	1.461	25	250
22 × 13 <sup>1</sup> / <sub>2</sub> × 10 <sup>3</sup> / <sub>4</sub>	1.512	20	240
22 × 13 <sup>1</sup> / <sub>2</sub> × 10 <sup>3</sup> / <sub>4</sub>	1.512	20	240
22 × 14 × 12	1.642	15	270
22 × 14 × 12	1.642	15	270
22 × 14 × 12 (Doublewall)	2.708	10	160
22 × 14 × 14	1.766	15	270
22 × 14 × 14	1.766	15	270
22 × 15 × 10	1.661	20	240
22 × 15 × 15	1.976	15	270
22 × 17 × 12	1.979	15	270
22 × 17 × 12	1.979	15	270
22 × 18 × 6	1.698	20	240
22 × 18 × 16	2.423	10	130
22 × 18 × 16	2.423	10	130
22 × 20 × 18 <sup>1</sup> / <sub>2</sub>	2.812	10	130
22 × 20 × 18 <sup>1</sup> / <sub>2</sub>	2.812	10	130
22 × 22 × 6	2.137	15	135
22 × 22 × 6	2.137	15	135
22 × 22 × 7	2.252	15	135
22 × 22 × 8	2.294	15	270
22 × 22 × 8	2.294	15	270
22 × 22 × 10	2.450	15	270
22 × 22 × 10	2.450	15	270
22 × 22 × 12	2.591	10	130
22 × 22 × 12	2.591	10	130
22 × 22 × 16	2.895	10	130
22 × 22 × 16	2.895	10	130
22 × 22 × 18	3.052	10	130
22 × 22 × 18	3.052	10	130
22 × 22 × 22	3.308	10	130
22 × 22 × 22	3.308	10	130
22 × 22 × 22 (Doublewall)	5.470	5	80
22 × 22 × 24	3.449	10	130
22 × 22 × 24	3.449	10	130
22 × 22 × 30	3.969	10	130
22 <sup>1</sup> / <sub>16</sub> × 17 <sup>3</sup> / <sub>4</sub> × 10 <sup>1</sup> / <sub>16</sub> (Doublewall)	3.192	10	160
22 <sup>1</sup> / <sub>16</sub> × 17 <sup>3</sup> / <sub>4</sub> × 15 <sup>9</sup> / <sub>16</sub> (Doublewall)	3.811	10	80
22 <sup>1</sup> / <sub>4</sub> × 18 × 7 <sup>9</sup> / <sub>16</sub> (Heavy Duty)	2.640	15	270
22 <sup>1</sup> / <sub>4</sub> × 19 <sup>5</sup> / <sub>8</sub> × 12 <sup>1</sup> / <sub>4</sub>	2.377	15	135
22 <sup>1</sup> / <sub>2</sub> × 22 <sup>1</sup> / <sub>2</sub> × 13	2.841	15	135
23 × 4 <sup>1</sup> / <sub>2</sub> × 27 <sup>1</sup> / <sub>4</sub> (HD FOL) (Small Art)	2.565	15	240
23 × 8 × 6	.774	25	500
23 × 8 × 6	.774	25	500
23 × 12 × 3 <sup>1</sup> / <sub>2</sub>	.959	25	500
23 × 12 × 3 <sup>1</sup> / <sub>2</sub>	.959	25	500

GET QUOTE NOW

# SIZE INDEX

Size Length × Width × Depth		Wt. Per Each	No. Per Bundle	No. Per Full Pallet
23 × 13 × 2 <sup>1</sup> / <sub>2</sub>	Style RETT/DF	.790	25	350
23 × 13 × 3 <sup>1</sup> / <sub>2</sub>	Style RETT/DF	.937	25	350
23 × 13 × 3 <sup>1</sup> / <sub>2</sub>		1.049	20	360
23 × 13 × 3 <sup>1</sup> / <sub>2</sub>		1.049	20	360
23 × 14 × 10		1.555	20	240
23 × 14 × 10		1.555	20	240
23 × 16 × 19		2.386	10	130
23 × 16 × 19		2.386	10	130
23 × 23 × 15		3.113	10	130
23 × 23 × 20	(6.12 Cu. Ft.)	3.361	10	130
23 <sup>1</sup> / <sub>2</sub> × 14 × 4		1.195	25	250
23 <sup>1</sup> / <sub>2</sub> × 14 × 4		1.195	25	250
23 <sup>1</sup> / <sub>2</sub> × 14 × 6		1.319	20	360
23 <sup>1</sup> / <sub>2</sub> × 14 × 6		1.319	20	360
23 <sup>1</sup> / <sub>2</sub> × 16 × 14	(3.1 Cu. Ft.)	2.073	15	270
23 <sup>1</sup> / <sub>2</sub> × 16 × 14	(3.1 Cu. Ft.)	2.073	15	270
24 × 6 × 6		.648	25	500
24 × 6 × 6		.648	25	500
24 × 8 × 6		.799	25	500
24 × 8 × 6		.799	25	500
24 × 8 × 8		.910	25	500
24 × 8 × 8		.910	25	500
24 × 9 × 9		1.052	25	500
24 × 10 × 6		.965	25	500
24 × 10 × 6		.965	25	500
24 × 10 × 8		1.084	25	500
24 × 10 × 8		1.084	25	500
24 × 10 × 10		1.203	20	360
24 × 10 × 10		1.203	20	360
24 × 10 × 15		1.528	25	250
24 × 12 × 6		1.148	20	360
24 × 12 × 6		1.148	20	360
24 × 12 × 8		1.272	20	240
24 × 12 × 8		1.272	20	240
24 × 12 × 9		1.369	25	250
24 × 12 × 11		1.458	20	240
24 × 12 × 11		1.458	20	240
24 × 12 × 12	(2 Cu. Ft.)	1.520	20	240
24 × 12 × 12	(2 Cu. Ft.)	1.520	20	240
24 × 12 × 12	<b>(Heavy Duty)</b>	2.229	15	270
24 × 12 × 12	<b>(Doublewall)</b>	2.507	10	160
24 × 12 × 12	<b>(Doublewall)</b>	2.507	10	160
24 × 13 <sup>1</sup> / <sub>8</sub> × 12 <sup>3</sup> / <sub>4</sub>		1.688	15	270
24 × 13 <sup>1</sup> / <sub>8</sub> × 12 <sup>3</sup> / <sub>4</sub>		1.688	15	270
24 × 14 × 4		1.206	20	360
24 × 14 × 4		1.206	20	360
24 × 14 × 8		1.471	20	240
24 × 14 × 8		1.471	20	240
24 × 14 × 10		1.604	20	240
24 × 14 × 12		1.717	20	240
24 × 14 × 14 <sup>3</sup> / <sub>8</sub>		1.884	15	270
24 × 14 × 14 <sup>3</sup> / <sub>8</sub>		1.884	15	270
24 × 14 × 18		2.129	15	270
24 × 14 × 18		2.129	15	270
24 × 14 × 20		2.257	15	135
24 × 14 × 20		2.257	15	135
24 × 16 × 2 <sup>5</sup> / <sub>8</sub>		1.344	25	250
24 × 16 × 4		1.409	20	240
24 × 16 × 4		1.409	20	240
24 × 16 × 6		1.550	20	240
24 × 16 × 6		1.550	20	240
24 × 16 × 8		1.684	20	240
24 × 16 × 13		2.027	15	270
24 × 16 × 13		2.027	15	270
24 × 16 × 24		2.787	10	130
24 × 16 × 24		2.787	10	130
24 × 17 × 3		1.445	20	240
24 × 17 × 3		1.445	20	240

GET QUOTE NOW

# SIZE INDEX

Size Length × Width × Depth	Wt. Per Each	No. Per Bundle	No. Per Full Pallet
24 × 17 × 15 (3.6 Cu. Ft.)	2.288	15	270
24 × 17 × 15 (3.6 Cu. Ft.)	2.288	15	270
24 × 18 × 10	2.051	15	270
24 × 18 × 10	2.051	15	270
24 × 18 × 12	2.194	15	270
24 × 18 × 12	2.194	15	270
24 × 18 × 12 (Heavy Duty)	3.222	10	120
24 × 18 × 18 (4.5 Cu. Ft.)	2.635	15	135
24 × 18 × 18 (4.5 Cu. Ft.)	2.635	15	135
24 × 18 × 18 (Doublewall)	4.312	5	80
24 × 18 × 18 (Doublewall)	4.312	5	80
24 × 18 <sup>1</sup> / <sub>4</sub> × 20	2.857	10	130
24 × 20 × 12	2.458	15	135
24 × 20 × 12	2.458	15	135
24 × 22 × 12 (Heavy Duty) (Stereo)	3.968	10	120
24 × 24 × 6	2.561	10	130
24 × 24 × 6	2.561	10	130
24 × 24 × 7	2.641	10	130
24 × 24 × 7	2.641	10	130
24 × 24 × 12	2.943	10	130
24 × 24 × 12	2.943	10	130
24 × 24 × 16	3.286	10	130
24 × 24 × 16	3.286	10	130
24 × 24 × 18 <sup>1</sup> / <sub>2</sub>	3.567	10	130
24 × 24 × 18 <sup>1</sup> / <sub>2</sub>	3.567	10	130
24 × 24 × 20	3.616	10	130
24 × 24 × 20	3.616	10	130
24 × 24 × 24 (8 Cu. Ft.)	3.931	10	130
24 × 24 × 24 (with extra scores at 18", 20", 22")	3.931	10	130
24 × 24 × 24 (8 Cu. Ft.)	3.931	10	130
24 × 24 × 24 (Doublewall)	6.504	5	80
24 × 24 × 24 (Doublewall)	6.504	5	80
24 × 24 × 30	4.412	5	135
24 × 24 × 30	4.412	5	135
24 × 24 × 36 (12 Cu. Ft.)	4.895	5	135
24 × 24 × 36 (12 Cu. Ft.)	4.895	5	135
24 × 24 × 36 (Doublewall)	8.109	5	80
24 × 24 × 36 (Doublewall)	8.109	5	80
24 × 24 × 48	5.881	5	135
25 × 12 × 10	1.437	25	250
25 × 12 × 10	1.437	25	250
25 × 15 × 12	1.901	20	240
25 × 17 × 15	2.337	15	270
25 × 17 × 15	2.337	15	270
25 × 19 × 5	1.884	15	240
25 × 19 × 7	2.048	15	240
25 × 19 × 10	2.246	15	135
25 × 19 × 10 <sup>1</sup> / <sub>2</sub>	2.261	15	135
25 × 19 × 10 <sup>1</sup> / <sub>2</sub>	2.261	15	135
25 × 25 × 20	3.847	10	130
25 × 25 × 20	3.847	10	130
25 <sup>1</sup> / <sub>8</sub> × 8 <sup>3</sup> / <sub>8</sub> × 17 <sup>1</sup> / <sub>2</sub> (TW11, 6 Pack Master)	1.533	25	250
25 <sup>1</sup> / <sub>2</sub> × 13 × 13	1.753	20	240
25 <sup>1</sup> / <sub>2</sub> × 13 × 13	1.753	20	240
25 <sup>1</sup> / <sub>2</sub> × 14 × 8 <sup>1</sup> / <sub>8</sub>	1.573	25	250
25 <sup>5</sup> / <sub>8</sub> × 25 <sup>5</sup> / <sub>8</sub> × 25 <sup>1</sup> / <sub>4</sub> (Max. U.P.S.)	4.607	5	135
25 <sup>5</sup> / <sub>8</sub> × 25 <sup>5</sup> / <sub>8</sub> × 25 <sup>1</sup> / <sub>4</sub> (Max. U.P.S.)	4.607	5	135
25 <sup>5</sup> / <sub>8</sub> × 25 <sup>5</sup> / <sub>8</sub> × 25 <sup>1</sup> / <sub>4</sub> (Doublewall)	7.198	5	80
26 × 12 × 12	1.602	20	240
26 × 12 × 12	1.602	20	240
26 × 14 × 13	1.910	15	270
26 × 15 × 3	1.336	25	250
26 × 15 × 5	1.480	15	270
26 × 15 × 5	1.480	15	270
26 × 15 × 7	1.583	15	270
26 × 15 × 7	1.583	15	270
26 × 16 × 10	1.914	15	270
26 × 16 × 14	2.195	15	270



# SIZE INDEX

Size Length x Width x Depth	Wt. Per Each	No. Per Bundle	No. Per Full Pallet
26 x 16 x 14	2.195	15	270
26 x 16 x 19	2.553	10	130
26 x 16 x 19	2.553	10	130
26 x 17 x 5	1.660	20	240
26 x 17 x 5	1.660	20	240
26 x 18 x 12	2.299	10	260
26 x 18 x 12	2.299	10	260
26 x 26 x 20	4.081	5	135
26 x 26 x 20	4.081	5	135
27 x 14 x 9	1.654	20	240
27 x 14 x 9	1.654	20	240
27 x 15 x 6 <sup>1</sup> / <sub>2</sub>	1.588	15	270
27 x 15 x 6 <sup>1</sup> / <sub>2</sub>	1.588	15	270
27 x 23 x 8 <sup>1</sup> / <sub>2</sub> (with extra scores at 2 <sup>1</sup> / <sub>2</sub> "-4 <sup>1</sup> / <sub>2</sub> "-6 <sup>1</sup> / <sub>2</sub> ")	2.702	10	130
27 x 23 x 8 <sup>1</sup> / <sub>2</sub> (with extra scores at 2 <sup>1</sup> / <sub>2</sub> "-4 <sup>1</sup> / <sub>2</sub> "-6 <sup>1</sup> / <sub>2</sub> ")	2.702	10	130
27 x 27 x 27	4.961	5	135
27 x 27 x 27	4.961	5	135
27 x 27 x 36 (Doublewall)	9.570	5	80
27 <sup>9</sup> / <sub>8</sub> x 15 <sup>5</sup> / <sub>8</sub> x 11 <sup>3</sup> / <sub>8</sub>	2.056	15	270
28 x 5 <sup>1</sup> / <sub>2</sub> x 38 (HD FOL) (Medium Art)	4.193	10	120
28 x 6 x 6	.732	25	500
28 x 6 x 6	.732	25	500
28 x 11 x 9	1.400	25	250
28 x 16 x 3 <sup>1</sup> / <sub>2</sub>	1.505	15	270
28 x 16 x 3 <sup>1</sup> / <sub>2</sub>	1.505	15	270
28 x 16 x 5	1.623	15	270
28 x 16 x 5	1.623	15	270
28 x 16 x 7	1.780	15	270
28 x 16 x 7	1.780	15	270
28 x 16 x 9	1.924	15	270
28 x 16 x 12	2.146	10	260
28 x 16 x 12	2.146	10	260
28 x 16 x 14	2.302	10	260
28 x 16 x 14	2.302	10	260
28 x 28 x 12	3.832	5	135
28 x 28 x 12	3.832	5	135
28 x 28 x 20	4.587	5	135
28 x 28 x 20	4.587	5	135
28 x 28 x 28	5.341	5	135
28 x 28 x 28	5.341	5	135
28 x 28 x 40	6.588	5	135
29 x 10 x 9	1.345	25	250
29 x 17 x 3	1.615	15	270
29 x 17 x 3	1.615	15	270
29 x 17 x 7	1.929	15	270
29 x 17 x 7	1.929	15	270
29 x 17 x 9	2.085	15	270
29 x 17 x 9	2.085	15	270
29 x 17 x 12	2.328	10	130
29 x 17 x 12	2.328	10	130
29 x 17 x 15	2.570	15	135
29 x 17 x 15	2.570	15	135
29 x 17 x 20	2.975	10	130
29 <sup>1</sup> / <sub>2</sub> x 14 <sup>1</sup> / <sub>2</sub> x 22 <sup>1</sup> / <sub>2</sub>	2.800	10	130
30 x 13 x 13	1.960	15	270
30 x 14 x 3	1.308	20	360
30 x 14 x 5	1.469	20	240
30 x 14 x 5	1.469	20	240
30 x 14 x 7	1.626	15	270
30 x 14 x 7	1.626	15	270
30 x 15 x 15	2.357	10	130
30 x 15 x 15	2.357	10	130
30 x 15 x 15 (Heavy Duty)	3.464	10	130
30 x 15 x 15 (Doublewall)	3.825	10	80
30 x 17 x 3	1.631	20	240
30 x 18 x 16	2.807	10	130
30 x 18 x 16	2.807	10	130

[GET QUOTE NOW](#)

# SIZE INDEX

Size Length × Width × Depth	Wt. Per Each	No. Per Bundle	No. Per Full Pallet
30 × 20 × 9	2.527	15	135
30 × 20 × 20 (with extra scores at 12"-14"-16"-18") (HD)	5.101	5	125
30 × 20 × 25	3.966	5	135
30 × 24 × 10	3.122	10	130
30 × 24 × 10	3.122	10	130
30 × 24 × 12	3.339	10	130
30 × 24 × 12	3.339	10	130
30 × 24 × 12 (Doublewall)	5.524	5	80
30 × 24 × 24 (Max. U.P.S.)	4.508	5	135
30 × 30 × 30	6.117	5	135
30 × 30 × 30	6.117	5	135
30 × 30 × 30 (Doublewall)	10.076	5	80
30 × 30 × 30 (Doublewall)	10.076	5	80
30½ × 18½ × 18½	3.115	10	130
30½ × 18½ × 18½	3.115	10	130
30½ × 18½ × 18½ (Heavy Duty)	4.629	5	135
30½ × 18½ × 18½ (Doublewall)	5.150	5	80
31 × 10 × 8	1.340	20	360
31 × 16 × 9	2.029	10	260
31 × 16 × 9	2.029	10	260
31 × 16 × 14	2.479	15	135
31 × 24 × 8½ (with extra scores at 2½"-4½"-6½")	3.070	10	130
31 × 24 × 8½ (with extra scores at 2½"-4½"-6½")	3.070	10	130
31 × 24 × 19	4.034	5	135
31 × 24 × 19	4.034	5	135
31⅜ × 21⅜ × 12⅝	3.080	10	130
31⅜ × 21⅝ × 12⅝	3.156	10	130
32 × 6 × 6	.808	25	500
32 × 6 × 6	.808	25	500
32 × 6 × 42 (HD FOL) (Large Art)	5.224	5	125
32 × 8 × 8	1.138	20	360
32 × 8 × 8	1.138	20	360
32 × 10 × 6	1.218	25	375
32 × 12 × 9	1.670	20	240
32 × 13 × 6	1.511	15	270
32 × 13 × 6	1.511	15	270
32 × 14 × 5	1.548	15	270
32 × 15⅝ × 12⅝	2.320	10	130
32 × 15⅝ × 12⅝	2.320	10	130
32 × 15⅝ × 24¾	3.367	10	130
32 × 15⅝ × 30⅝	3.855	10	130
32 × 17 × 16	2.776	10	130
32 × 17 × 16	2.776	10	130
32 × 24 × 4	2.692	10	130
32¾ × 18¼ × 12½ (Heavy Duty)	4.006	10	120
33 × 14 × 14	2.272	15	270
33 × 14 × 14	2.272	15	270
33 × 18 × 5	2.023	10	260
33 × 18 × 10	2.442	10	260
33 × 18 × 10	2.442	10	260
33 × 19 × 4½	2.115	10	260
33½ × 23½ × 23½ (HD) (Appliance)	6.759	5	125
35⅜ × 21 × 21 A.T.A.			
200# Doublewall Brown, F.O.L. Bottom and R.S.C. Top (Inside Dimensions 34¾ × 20⅝ × 19⅝)			
35⅜ × 21 × 21 A.T.A.			
350# Doublewall Brown, R.S.C. (Inside Dimensions 34⅞ × 20¼ × 19⅞)			
35¾ × 5½ × 45¼ (HD FOL) (X-Large Art)	5.900	5	125
36 × 6 × 6	.929	20	480
36 × 6 × 6	.929	20	480
36 × 8 × 8	1.237	20	360
36 × 8 × 8	1.237	20	360
36 × 10 × 6	1.342	25	375
36 × 11½ × 11½	1.952	20	240
36 × 12 × 4	1.348	15	405

GET QUOTE NOW

# SIZE INDEX

Size Length × Width × Depth	Wt. Per Each	No. Per Bundle	No. Per Full Pallet			
36 × 12 × 4	1.348	15	405			
36 × 12 × 10	1.832	15	270			
36 × 12 × 10	1.832	15	270			
36 × 12 × 16	2.309	10	260			
36 × 12 × 16	2.309	10	260			
36 × 16 × 5	1.897	10	260			
36 × 16 × 5	1.897	10	260			
36 × 16 × 7	2.069	10	260			
36 × 16 × 7	2.069	10	260			
36 × 20 × 7	2.690	10	130			
36 × 20 × 7	2.690	10	130			
36 × 20 × 9	2.786	10	130			
36 × 20 × 9	2.786	10	130			
36 × 20 × 15	3.357	10	130			
36 × 20 × 15	3.357	10	130			
36 × 21 × 12	3.226	10	130			
36 × 21 × 12	3.226	10	130			
36 × 21 × 20	3.984	5	135			
36 × 21 × 20	3.984	5	135			
36 × 21 × 20	3.984	5	135			
36 × 21 × 20	5.928	5	135			
36 × 24 × 24	5.008	5	135			
36 × 30 × 12	4.893	5	135			
36 × 36 × 36	14.365	1	80			
36 × 36 × 42	9.811	1	130			
36 <sup>3</sup> / <sub>8</sub> × 21 <sup>7</sup> / <sub>8</sub> × 19 <sup>7</sup> / <sub>8</sub>	6.178	5	135			
37 × 9 × 9	1.447	20	240			
37 × 14 × 21	3.122	10	130			
39 × 20 × 36	5.634	5	135			
39 × 20 × 36	5.634	5	135			
39 × 20 × 36	9.303	5	80			
39 <sup>1</sup> / <sub>2</sub> × 15 <sup>1</sup> / <sub>2</sub> × 17 <sup>1</sup> / <sub>4</sub>	3.158	10	130			
39 <sup>1</sup> / <sub>2</sub> × 20 × 10	3.131	10	130			
39 <sup>1</sup> / <sub>2</sub> × 27 <sup>1</sup> / <sub>2</sub> × 21	A.T.A.					
350# Doublewall Brown, R.S.C.						
(Inside Dimensions 38 <sup>13</sup> / <sub>16</sub> × 26 <sup>3</sup> / <sub>4</sub> × 19 <sup>3</sup> / <sub>4</sub> )						
40 × 8 × 8	1.348	20	360			
40 × 8 × 8	1.348	20	360			
42 × 11 × 6	1.577	15	270			
42 × 11 × 6	1.577	15	270			
42 × 11 × 10	1.935	10	260			
42 × 11 × 10	1.935	10	260			
42 × 29 × 25 <sup>1</sup> / <sub>2</sub>	A.T.A.	Style E	10	16.70	15.0300	Each
200# Doublewall Brown, R.S.C.						
(Inside Dimensions 41 <sup>5</sup> / <sub>16</sub> × 28 <sup>3</sup> / <sub>16</sub> × 24 <sup>1</sup> / <sub>8</sub> )						
42 × 29 × 25 <sup>1</sup> / <sub>2</sub>	A.T.A.	Style E	12	19.60	17.6400	Each
200# Doublewall Brown						
F.O.L. Bottom and R.S.C. Top						
(Inside Dimensions 41 <sup>5</sup> / <sub>16</sub> × 28 <sup>3</sup> / <sub>16</sub> × 23 <sup>7</sup> / <sub>8</sub> )						
42 × 29 × 25 <sup>1</sup> / <sub>2</sub>	A.T.A.	Style E	15	21.70	19.5300	Each
425# Doublewall Brown, R.S.C.						
(Inside Dimension 41 <sup>5</sup> / <sub>16</sub> × 28 <sup>3</sup> / <sub>16</sub> × 24 <sup>1</sup> / <sub>8</sub> )						
42 × 29 × 25 <sup>1</sup> / <sub>2</sub>	A.T.A.	Style E	20	30.80	27.7200	Each
Heavy Duty TWall Brown, R.S.C.						
(Inside Dimensions 41 <sup>1</sup> / <sub>4</sub> × 28 <sup>1</sup> / <sub>2</sub> × 24 <sup>1</sup> / <sub>8</sub> )						
44 × 12 × 12	2.323	10	260			
44 × 12 × 12	2.323	10	260			
46 × 20 × 12	(with extra score at 9")	3.748	10	130		
46 × 20 × 12	(with extra score at 9")	3.748	10	130		
48 × 40 × 37 <sup>1</sup> / <sub>2</sub>	without Wooden Pallet A.T.A.	Style Truck	27	50.80	45.7200	Each
425# Doublewall Brown		Pack				
(Inside Dimensions 46 × 37 <sup>3</sup> / <sub>4</sub> × 36 <sup>3</sup> / <sub>4</sub> )						
48 × 40 × 42 <sup>1</sup> / <sub>2</sub>	with Wooden Pallet A.T.A.	Style Truck	56	69.70	62.7300	Each
425# Doublewall Brown		Pack				
(Inside Dimensions 46 × 37 <sup>3</sup> / <sub>4</sub> × 36 <sup>3</sup> / <sub>4</sub> )						
54 × 8 <sup>1</sup> / <sub>2</sub> × 28 <sup>1</sup> / <sub>2</sub>	(HD FOL) (Bicycle)	7.175	5	125		
58 × 41 × 40	without Wooden Pallet A.T.A.	Style D	31	69.90	62.9100	Each
425# Doublewall Brown						
(Inside Dimensions 55 <sup>3</sup> / <sub>8</sub> × 38 <sup>1</sup> / <sub>2</sub> × 39 <sup>1</sup> / <sub>4</sub> )						
58 × 41 × 45	with Wooden Pallet A.T.A.	Style D	60	77.00	69.3000	Each
425# Doublewall Brown						
(Inside Dimensions 55 <sup>3</sup> / <sub>8</sub> × 38 <sup>1</sup> / <sub>2</sub> × 39 <sup>1</sup> / <sub>4</sub> )						

GET QUOTE NOW

# SIZE INDEX

Size Length x Width x Depth	Style	Wt. Per Each	No. Per Bundle	No. Per Full Pallet
<b>MAILERS</b>				
3 x 2 x 1	RETT	.030	50	5250
3 x 2 x 2	RETT	.052	50	8750
3 x 3 x 2	RETT	.060	50	4200
3 x 3 x 3	ST	.088	50	3150
3 1/4 x 3 1/4 x 1 1/2	ECCO/DF	.068	50	7000
3 5/8 x 2 11/16 x 2 1/16 (250 Calling Cards)	RETT	.062	50	5600
3 3/4 x 3 1/2 x 2 5/8 (200 Trading Cards)	ECCO/ST	.109	50	4200
4 x 2 x 2	RETT	.059	50	7000
4 x 3 x 1 1/2	ECCO/DF	.070	50	7000
4 x 3 x 2	RETT/DF	.078	50	4200
4 x 3 x 3	ST	.101	50	3150
4 x 4 x 2	RETT	.086	50	4200
4 x 4 x 3	RETT	.112	50	4200
4 1/2 x 3 3/8 x 1 1/16	RETT	.058	50	7000
5 x 2 x 2	RETT	.066	50	7000
5 x 3 x 2	RETT	.079	50	4200
5 x 3 x 3	RETT	.101	50	3150
5 x 4 x 2	RETT	.101	50	3150
5 x 4 x 3	RETT	.124	50	3150
5 x 5 x 3	RETT	.145	50	3150
5 5/16 x 3 5/8 x 2 1/16 (Calling Cards)	RETT	.094	50	4200
5 1/2 x 3 x 2 1/2	ST	.109	50	3150
5 1/2 x 4 x 2	RETT	.102	50	3150
6 x 2 x 2	RETT	.074	50	5250
6 x 3 x 2	RETT	.085	50	4200
6 x 3 x 3	ST	.126	50	4200
6 x 4 x 2	ECCO/DF	.126	50	3150
6 x 4 x 3	RETT	.135	50	2100
6 x 4 1/2 x 2 1/4	RETT	.124	50	2100
6 x 6 x 1	RETT	.104	50	4200
6 x 6 x 3	RETT	.183	50	1400
6 1/4 x 4 1/4 x 1 1/2	RETT/DF	.108	50	3150
6 1/2 x 3 3/4 x 1 1/2	RETT	.092	50	4200
6 1/2 x 4 1/2 x 2	RETT	.123	50	2100
6 1/2 x 4 1/2 x 4	ST	.211	50	2100
6 5/8 x 4 1/8 x 3 5/8	RETT/DF	.195	50	1400
7 x 3 x 2	RETT	.094	50	4200
7 x 3 x 3	ST	.138	50	3150
7 x 4 x 2	RETT	.115	50	3150
7 x 4 x 3	RETT	.147	50	2100
7 x 4 x 4	RETT	.205	50	1750
7 x 6 1/2 x 1 7/8	RETT	.160	50	2100
7 1/2 x 3 1/4 x 2 1/4	ST	.125	50	3150
7 1/2 x 3 3/4 x 3 1/4	ST	.174	50	3150
7 1/2 x 4 1/4 x 1 1/16 (VHS Video Cassette)	ECCO/DF	.110	50	4200
7 1/2 x 5 1/2 x 3	RETT	.192	50	2100
7 1/2 x 7 1/2 x 2	ECCO/DF	.226	50	2100
7 1/2 x 7 1/2 x 3 1/4	RETT	.254	50	1400
8 x 3 x 2	RETT	.104	50	2800
8 x 4 x 2	RETT	.125	50	2800
8 x 4 x 3	RETT	.157	50	2100
8 x 4 x 4	RETT	.193	50	1400
8 x 5 x 1 1/4 (VHS Video Cassette)	ECCO/DF	.133	50	3150
8 x 5 x 3	ST	.218	50	2100
8 x 6 x 1 1/2	ECCO/DF	.170	50	2100
8 1/8 x 4 3/4 x 1 3/16 (VHS Video Cassette)	ECCO/DF	.126	50	3150
8 1/4 x 8 1/4 x 1 3/4	RETT	.221	50	2100
9 x 2 x 2	RETT	.094	50	3500
9 x 3 x 3	RETT	.142	50	2100
9 x 4 x 4	RETT/DF	.241	50	1400
9 x 5 1/2 x 1 1/4 (VHS Video Cassette)	ECCO/DF	.159	50	3150
9 x 6 x 1	RETT/DF	.149	50	3150

GET QUOTE NOW

# SIZE INDEX

Size Length x Width x Depth	Style	Wt. Per Each	No. Per Bundle	No. Per Full Pallet
9 x 6 x 3 <sup>1</sup> / <sub>2</sub>	ECCO/ST	.404	50	1400
9 x 6 x 3 <sup>1</sup> / <sub>2</sub> (Special Style Security Mailer)		.432	50	700
9 <sup>3</sup> / <sub>8</sub> x 5 <sup>1</sup> / <sub>4</sub> x 2 <sup>1</sup> / <sub>2</sub>	RETT	.201	50	2100
9 <sup>3</sup> / <sub>8</sub> x 7 <sup>1</sup> / <sub>4</sub> x 2 <sup>1</sup> / <sub>2</sub>	RETT	.253	50	1400
9 <sup>1</sup> / <sub>2</sub> x 8 x 2 <sup>1</sup> / <sub>4</sub>	RETT	.258	50	1400
10 x 2 x 2	RETT	.103	50	2800
10 x 3 x 2	RETT	.121	50	2800
10 x 3 x 3	ST	.171	50	2100
10 x 4 x 2	RETT	.145	50	2100
10 x 4 x 3	RETT	.180	50	2100
10 x 4 x 4	RETT	.245	50	1400
10 x 10 x 2	RETT	.307	50	1400
10 <sup>1</sup> / <sub>8</sub> x 4 <sup>1</sup> / <sub>8</sub> x 3 <sup>1</sup> / <sub>2</sub>	RETT/DF	.235	50	1400
10 <sup>5</sup> / <sub>8</sub> x 3 <sup>5</sup> / <sub>8</sub> x 2 <sup>1</sup> / <sub>16</sub> (1000 Calling Cards)	RETT	.146	50	2100
11 x 6 <sup>1</sup> / <sub>2</sub> x 2 <sup>3</sup> / <sub>4</sub>	RETT	.266	50	1400
11 <sup>1</sup> / <sub>8</sub> x 4 <sup>1</sup> / <sub>2</sub> x 2 <sup>5</sup> / <sub>8</sub>	RETT/DF	.221	50	1400
11 <sup>1</sup> / <sub>4</sub> x 8 <sup>3</sup> / <sub>4</sub> x 2 <sup>1</sup> / <sub>8</sub> (Letterhead)	RETT	.297	50	1400
11 <sup>1</sup> / <sub>4</sub> x 8 <sup>3</sup> / <sub>4</sub> x 3 (Letterhead)	RETT	.360	50	1400
11 <sup>1</sup> / <sub>4</sub> x 8 <sup>3</sup> / <sub>4</sub> x 4 (Letterhead)	RETT	.425	50	1400
11 <sup>1</sup> / <sub>2</sub> x 9 x 2 <sup>1</sup> / <sub>8</sub>	ECCO/DF	.346	50	1400
12 x 3 x 3	ECCO/ST	.214	50	2100
12 x 6 x 4	RETT/DF	.367	50	700
12 x 8 x 1 <sup>1</sup> / <sub>2</sub>	ECCO/DF	.273	50	1400
12 x 12 x 1 <sup>1</sup> / <sub>2</sub>	ECCO/DF	.377	50	1400
12 <sup>1</sup> / <sub>4</sub> x 6 <sup>1</sup> / <sub>2</sub> x 4 <sup>1</sup> / <sub>8</sub>	RETT/DF	.401	50	700
12 <sup>1</sup> / <sub>4</sub> x 9 <sup>1</sup> / <sub>4</sub> x 2	RETT	.321	50	1400
12 <sup>1</sup> / <sub>4</sub> x 9 <sup>1</sup> / <sub>4</sub> x 3	RETT	.396	50	1400
12 <sup>1</sup> / <sub>4</sub> x 9 <sup>1</sup> / <sub>4</sub> x 4	RETT	.465	50	700
12 <sup>1</sup> / <sub>2</sub> x 5 x 3	RETT	.243	50	1400
13 x 10 x 2	RETT/DF	.393	50	1400
13 <sup>1</sup> / <sub>2</sub> x 13 <sup>1</sup> / <sub>2</sub> x 2	ECCO/DF	.523	50	700
14 x 3 x 3	ECCO/ST	.238	50	2100
14 <sup>1</sup> / <sub>4</sub> x 8 <sup>3</sup> / <sub>4</sub> x 2 (Legal Size)	RETT/DF	.363	50	1400
15 x 11 x 2	RETT/DF	.462	50	700
15 <sup>1</sup> / <sub>8</sub> x 8 <sup>3</sup> / <sub>4</sub> x 2 (For 14 <sup>7</sup> / <sub>8</sub> " x 8 <sup>1</sup> / <sub>2</sub> " Snapout)	RETT	.368	50	1400
15 <sup>1</sup> / <sub>8</sub> x 8 <sup>3</sup> / <sub>4</sub> x 3 (and Continuous Forms)	RETT	.429	50	1400
15 <sup>1</sup> / <sub>8</sub> x 11 <sup>1</sup> / <sub>4</sub> x 2 (For 14 <sup>7</sup> / <sub>8</sub> " x 11" Snapout)	RETT	.450	50	1400
15 <sup>1</sup> / <sub>8</sub> x 11 <sup>1</sup> / <sub>4</sub> x 3 (and Continuous Forms)	RETT	.525	50	700
15 <sup>7</sup> / <sub>8</sub> x 3 <sup>3</sup> / <sub>4</sub> x 2 <sup>5</sup> / <sub>8</sub> (930 Trading Cards)	ECCO/ST	.273	50	2100
16 x 12 x 1 <sup>1</sup> / <sub>2</sub>	ECCO/DF	.461	25	1400
17 x 11 x 2 <sup>1</sup> / <sub>2</sub>	RETT/DF	.567	25	700
18 x 12 x 1 <sup>1</sup> / <sub>2</sub>	ECCO/DF	.505	25	700
19 x 12 x 2 <sup>1</sup> / <sub>2</sub>	RETT	.606	25	700
19 x 12 x 3	RETT/DF	.716	25	700
20 x 10 x 2 <sup>1</sup> / <sub>4</sub>	ECCO/DF	.558	25	700
20 <sup>5</sup> / <sub>8</sub> x 6 <sup>5</sup> / <sub>8</sub> x 4 <sup>1</sup> / <sub>8</sub>	RETT/DF	.565	25	700
23 x 13 x 2 <sup>1</sup> / <sub>2</sub>	RETT/DF	.790	25	350
23 x 13 x 3 <sup>1</sup> / <sub>2</sub>	RETT/DF	.937	25	350

GET QUOTE NOW

# SIZE INDEX

Size Length x Width x Depth	Style	Wt. Per Each	No. Per Bundle	No. Per Full Pallet
<b>ONE-PIECE FOLDERS</b>				
5 <sup>5</sup> / <sub>8</sub> x 5 x 7 <sup>1</sup> / <sub>16</sub> -1 <sup>3</sup> / <sub>4</sub>	(Compact Disk Vari-depth)	.090	50	3150
5 <sup>11</sup> / <sub>16</sub> x 5 <sup>3</sup> / <sub>8</sub> x 1 <sup>1</sup> / <sub>2</sub>	(5 Pack 5 <sup>1</sup> / <sub>4</sub> " Floppy Disk A.F.M.)	.081	50	5600
5 <sup>11</sup> / <sub>16</sub> x 5 <sup>3</sup> / <sub>8</sub> x 1 <sup>1</sup> / <sub>2</sub> -2	(5 <sup>1</sup> / <sub>4</sub> " Floppy Disk Vari-depth)	.100	50	3150
6 <sup>1</sup> / <sub>2</sub> x 6 <sup>1</sup> / <sub>2</sub> x 1 <sup>1</sup> / <sub>2</sub> -2	(Vari-depth)	.128	50	2100
7 <sup>1</sup> / <sub>2</sub> x 5 x 1 <sup>1</sup> / <sub>2</sub> -2	(Vari-depth)	.118	50	3150
8 <sup>1</sup> / <sub>2</sub> x 6 x 1 <sup>1</sup> / <sub>2</sub> -2	(Vari-depth)	.145	50	2100
8 <sup>1</sup> / <sub>2</sub> x 6 x 1 <sup>1</sup> / <sub>2</sub>		.131	50	2100
8 <sup>1</sup> / <sub>2</sub> x 6 <sup>1</sup> / <sub>2</sub> x 1 <sup>1</sup> / <sub>2</sub> -2	(5 x 7 Picture Frame Vari-depth)	.152	50	2100
8 <sup>1</sup> / <sub>2</sub> x 8 <sup>1</sup> / <sub>16</sub> x 1 <sup>1</sup> / <sub>2</sub>	(5 Pack 8" Floppy Disk A.F.M.)	.172	50	2100
8 <sup>1</sup> / <sub>2</sub> x 8 <sup>1</sup> / <sub>16</sub> x 1 <sup>1</sup> / <sub>2</sub> -2	(8" Floppy Disk Vari-depth)	.189	50	2100
8 <sup>1</sup> / <sub>2</sub> x 8 <sup>1</sup> / <sub>16</sub> x 1	(10 Pack 8" Floppy Disk A.F.M.)	.183	50	2100
9 <sup>1</sup> / <sub>8</sub> x 9 <sup>1</sup> / <sub>8</sub> x 1 <sup>1</sup> / <sub>2</sub> -4	(Vari-depth)	.274	50	1400
9 <sup>1</sup> / <sub>2</sub> x 6 <sup>1</sup> / <sub>2</sub> x 1 <sup>1</sup> / <sub>2</sub> -2	(Vari-depth)	.165	50	2100
9 <sup>1</sup> / <sub>2</sub> x 6 <sup>1</sup> / <sub>2</sub> x 2		.165	50	3150
10 x 7 x 2		.208	50	1400
10 <sup>1</sup> / <sub>4</sub> x 8 <sup>1</sup> / <sub>4</sub> x 1 <sup>1</sup> / <sub>2</sub> -2	(Vari-depth)	.216	50	1400
10 <sup>1</sup> / <sub>4</sub> x 10 <sup>1</sup> / <sub>4</sub> x 1 <sup>1</sup> / <sub>2</sub> -2	(Vari-depth)	.265	50	1400
11 <sup>1</sup> / <sub>4</sub> x 8 <sup>3</sup> / <sub>4</sub> x 1 <sup>1</sup> / <sub>2</sub>	(Letter Size)	.194	50	2100
11 <sup>1</sup> / <sub>4</sub> x 8 <sup>3</sup> / <sub>4</sub> x 1 <sup>1</sup> / <sub>2</sub> -2	(Letter Size Vari-depth)	.239	50	1400
11 <sup>1</sup> / <sub>4</sub> x 8 <sup>3</sup> / <sub>4</sub> x 1	(Letter Size)	.208	50	2100
11 <sup>1</sup> / <sub>4</sub> x 8 <sup>3</sup> / <sub>4</sub> x 2	(Letter Size)	.239	50	1400
11 <sup>1</sup> / <sub>2</sub> x 9 <sup>1</sup> / <sub>2</sub> x 1 <sup>1</sup> / <sub>2</sub> -2	(8 x 10 Picture Frame Vari-depth)	.260	50	1400
11 <sup>1</sup> / <sub>2</sub> x 10 <sup>1</sup> / <sub>2</sub> x 2 <sup>1</sup> / <sub>4</sub>		.324	50	1400
11 <sup>1</sup> / <sub>2</sub> x 11 x 3		.375	50	1400
11 <sup>3</sup> / <sub>4</sub> x 10 <sup>1</sup> / <sub>2</sub> x 1 <sup>3</sup> / <sub>4</sub>	(Binder Size)	.288	50	1400
12 x 10 <sup>1</sup> / <sub>2</sub> x 2	(2" Binder Size)	.292	50	1400
12 x 11 <sup>1</sup> / <sub>2</sub> x 1 <sup>1</sup> / <sub>2</sub> -3	(Vari-depth)	.358	50	1050
12 x 11 <sup>1</sup> / <sub>2</sub> x 3	(3" Binder Size)	.350	50	1050
12 <sup>1</sup> / <sub>4</sub> x 9 <sup>1</sup> / <sub>4</sub> x 1 <sup>1</sup> / <sub>2</sub> -2	(Vari-depth)	.267	50	1400
12 <sup>1</sup> / <sub>2</sub> x 12 <sup>1</sup> / <sub>2</sub> x 1 <sup>1</sup> / <sub>4</sub> -1	(Vari-depth) (Record Size)	.314	50	1400
12 <sup>1</sup> / <sub>2</sub> x 12 <sup>1</sup> / <sub>2</sub> x 1 <sup>1</sup> / <sub>2</sub> -2	(Vari-depth) (Record Size)	.351	50	1050
12 <sup>1</sup> / <sub>2</sub> x 12 <sup>1</sup> / <sub>2</sub> x 1	(Record Size)	.314	50	1400
12 <sup>1</sup> / <sub>2</sub> x 12 <sup>1</sup> / <sub>2</sub> x 2	(Record Size)	.351	50	1050
12 <sup>1</sup> / <sub>2</sub> x 12 <sup>1</sup> / <sub>2</sub> x 3	(Record Size)	.398	50	700
12 <sup>1</sup> / <sub>2</sub> x 12 <sup>1</sup> / <sub>2</sub> x 4	(Record Size)	.423	50	700
14 x 14 x 1 <sup>1</sup> / <sub>2</sub> -2	(Vari-depth)	.438	50	700
15 x 9 <sup>1</sup> / <sub>4</sub> x 1 <sup>1</sup> / <sub>2</sub> -2	(Vari-depth)	.313	50	1400
15 x 11 <sup>1</sup> / <sub>2</sub> x 1 <sup>1</sup> / <sub>2</sub> -2	(Vari-depth)	.376	50	700
15 x 15 x 2		.475	50	700
15 x 15 x 2		.511	50	700
16 x 12 <sup>1</sup> / <sub>4</sub> x 1 <sup>1</sup> / <sub>2</sub> -2	(Vari-depth)	.431	50	700
16 x 16 x 2		.531	50	700
17 x 17 x 2		.605	50	700
17 <sup>3</sup> / <sub>4</sub> x 11 <sup>1</sup> / <sub>2</sub> x 1 <sup>1</sup> / <sub>2</sub> -2	(Letterhead Vari-depth)	.445	50	1400
17 <sup>3</sup> / <sub>4</sub> x 14 <sup>1</sup> / <sub>2</sub> x 1 <sup>1</sup> / <sub>2</sub> -2	(Letterhead Vari-depth)	.542	50	700

GET QUOTE NOW

# SIZE INDEX

Size Length x Width x Depth		Wt. Per Each	No. Per Bundle	No. Per Full Pallet
<b>MEAT PATTIE BOXES</b>				
10 x 10 x 5	(R.S.C. with vent slots)	.472	25	1050
15 1/2 x 10 x 3 1/4	(Die Cut Steak Box)	.631	50	700
<b>FIVE PANEL FOLDERS AND TRIANGULAR TUBES</b>				
2 x 2 x 8		.079	50	5600
2 x 2 x 12 1/4		.112	50	2800
2 DIA. x 12 1/4		.170	50	2100
2 x 2 x 18 1/4		.159	50	2800
2 x 2 x 25 1/4		.214	50	1750
2 1/2 x 2 1/2 x 8		.102	50	3150
2 1/2 x 2 1/2 x 12 1/4		.142	50	2100
2 1/2 x 2 1/2 x 18 1/4		.202	50	2100
2 1/2 x 2 1/2 x 25 1/4		.267	50	1400
2 1/2 DIA. x 30 1/4		.460	50	700
2 1/2 DIA. x 37 1/4		.554	50	700
3 x 3 x 8		.126	50	2100
3 x 3 x 12 1/4		.175	50	2100
3 x 3 x 18 1/4		.243	50	2100
3 DIA. x 18 1/4		.368	50	1400
3 x 3 x 25 1/4		.323	50	1050
3 DIA. x 25 1/4		.480	50	700
3 x 3 x 30 1/4		.380	50	1400
3 DIA. x 30 1/4		.565	50	700
3 x 3 x 37 1/4		.460	50	1050
3 1/2 x 3 1/2 x 18 1/4		.290	50	1400
3 1/2 x 3 1/2 x 25 1/4		.381	50	1050
3 1/2 x 3 1/2 x 30 1/4		.458	50	700
3 1/2 x 3 1/2 x 37 1/4		.541	50	700

GET QUOTE NOW

## BULK CONTAINERS

NO AMALGAMATION PERMITTED

*BC6	35 3/8 x 21 x 21 A.T.A. 200# Doublewall Brown, F.O.L. Bottom and R.S.C. Top (Inside Dimensions 34 3/4 x 20 3/8 x 19 3/8)
*BC8	35 3/8 x 21 x 21 A.T.A. 350# Doublewall Brown, R.S.C. (Inside Dimensions 34 7/8 x 20 1/4 x 19 7/8)
†*BC7	39 1/2 x 27 1/2 x 21 A.T.A. 350# Doublewall Brown, R.S.C. (Inside Dimensions 38 13/16 x 26 3/4 x 19 3/4)
†*BC5	42 x 29 x 25 1/2 A.T.A. 200# Doublewall Brown, R.S.C. (Inside Dimensions 41 5/16 x 28 3/16 x 24 1/8)
†*BC4	42 x 29 x 25 1/2 A.T.A. 200# Doublewall Brown F.O.L. Bottom and R.S.C. Top (Inside Dimensions 41 5/16 x 28 3/16 x 23 7/8)
†*BC1	42 x 29 x 25 1/2 A.T.A. 425# Doublewall Brown, R.S.C. (Inside Dimensions 41 5/16 x 28 3/16 x 24 1/8)
†*BC2	42 x 29 x 25 1/2 A.T.A. Heavy Duty TWall Brown, R.S.C. (Inside Dimensions 41 1/4 x 28 1/2 x 24 1/8)
†*BC9NP	48 x 40 x 37 1/2 without Wooden Pallet A.T.A. 425# Doublewall Brown (Inside Dimensions 46 x 37 3/4 x 36 3/4)
†*BC9	48 x 40 x 42 1/2 with Wooden Pallet A.T.A. 425# Doublewall Brown (Inside Dimensions 46 x 37 3/4 x 36 3/4)

GET QUOTE NOW

# SIZE INDEX

Size Length x Width x Depth	Style	Wt. Per Each	No. Per Bundle	No. Per Full Pallet	
58 x 41 x 40 <small>without Wooden Pallet A.T.A.</small> 425# Doublewall Brown (Inside Dimensions 55 <sup>3</sup> / <sub>8</sub> x 38 <sup>1</sup> / <sub>2</sub> x 39 <sup>1</sup> / <sub>4</sub> )	Style D	31		69.90 62.9100	Each
58 x 41 x 45 <small>with Wooden Pallet A.T.A.</small> 425# Doublewall Brown (Inside Dimensions 55 <sup>3</sup> / <sub>8</sub> x 38 <sup>1</sup> / <sub>2</sub> x 39 <sup>1</sup> / <sub>4</sub> )	Style D	60		77.00 69.3000	Each

## PADS AND SHEETS AMALGAMATION PERMITTED TO OBTAIN QUANTITY PRICES

7 <sup>1</sup> / <sub>16</sub> x 5 <sup>1</sup> / <sub>16</sub>	.027	50	12000	
7 <sup>1</sup> / <sub>16</sub> x 5 <sup>1</sup> / <sub>16</sub>	.030	50	12000	
8 x 8	.049	50	6250	
8 x 8	.054	50	6250	
8 <sup>1</sup> / <sub>2</sub> x 11 (Letter Size)	.070	50	6000	
8 <sup>1</sup> / <sub>2</sub> x 11 (Letter Size)	.079	50	6000	
8 <sup>1</sup> / <sub>2</sub> x 14 <sup>7</sup> / <sub>8</sub>	.097	50	3000	
8 <sup>1</sup> / <sub>2</sub> x 14 <sup>7</sup> / <sub>8</sub>	.106	50	3000	
9 x 6	.041	50	7500	
9 x 9	.060	50	6250	
10 x 8	.061	50	5000	
10 x 8	.067	50	5000	
10 x 10	.076	50	5000	
10 x 10	.084	50	5000	
12 x 9	.083	50	5000	
12 x 9	.091	50	5000	
12 x 10	.092	50	4000	
12 x 10	.101	50	4000	
12 x 12	.107	50	4000	
12 x 12	.121	50	4000	
12 <sup>1</sup> / <sub>2</sub> x 12 <sup>1</sup> / <sub>2</sub>	.119	50	3000	
14 x 11	.118	50	3000	
14 x 11	.129	50	3000	
14 x 12	.128	50	3000	
14 x 14	.150	50	2250	
14 x 14	.165	50	2250	
14 <sup>7</sup> / <sub>8</sub> x 11	.125	50	3000	
16 x 12	.147	50	3000	
16 x 12	.161	50	3000	
16 x 16	.190	50	2250	
16 x 16	.215	50	2250	
17 x 11	.139	50	2000	
17 x 11	.157	50	2000	
18 x 18	.248	50	1500	
18 x 18	.272	50	1500	
18 x 72	.990	25	500	
20 x 14	.214	50	1500	
20 x 14	.235	50	1500	
20 x 16	.244	50	1500	
20 x 16	.269	50	1500	
20 x 72	1.100	25	500	
22 x 28	.471	25	1000	
22 x 28	.518	25	1000	
24 x 18	.330	50	1000	
24 x 18	.363	50	1000	
24 x 20	.367	50	1000	
24 x 20	.403	50	1000	
24 x 36	.660	25	500	
24 x 36	.726	25	500	
24 x 48	.880	25	500	
24 x 48	.968	25	500	
24 x 72	1.320	10	540	
24 x 72	1.452	10	540	
30 x 24	.550	50	500	
30 x 72	1.650	10	270	
30 x 72	1.815	10	270	

GET QUOTE NOW

# SIZE INDEX

Size Length × Width × Depth	Wt. Per Each	No. Per Bundle	No. Per Full Pallet
32 × 48 (Poster Size)	1.173	25	250
32 × 48 (Poster Size)	1.320	25	250
36 × 48	1.320	20	260
36 × 48	1.452	20	260
36 × 72	1.980	10	270
36 × 72	2.178	10	270
40 × 48	1.467	15	270
40 × 48	1.613	15	270
40 × 48 (Doublewall)	2.600	10	160
48 × 48	1.760	10	270
48 × 48	1.936	10	270
48 × 72	2.640	10	270
48 × 72	2.904	10	270
48 × 96	3.520	10	270
48 × 96	3.872	10	270
48 × 96 (Doublewall)	5.824	5	160
48 × 96 (51 ECT Doublewall)	5.856	5	160

GET QUOTE NOW

## SELF-LOCKING BIN BOXES

6 × 3 × 4 <sup>1</sup> / <sub>2</sub> (F=2 <sup>5</sup> / <sub>8</sub> )	.105	50	2800
6 × 4 × 4 <sup>1</sup> / <sub>2</sub> (F=2 <sup>5</sup> / <sub>8</sub> )	.129	50	2800
9 × 2 × 4 <sup>1</sup> / <sub>2</sub> (F=2 <sup>5</sup> / <sub>8</sub> )	.104	50	2800
9 × 4 × 4 <sup>1</sup> / <sub>2</sub> (F=2 <sup>5</sup> / <sub>8</sub> )	.158	50	2800
9 × 6 × 4 <sup>1</sup> / <sub>2</sub> (F=2 <sup>1</sup> / <sub>2</sub> )	.184	50	2100
12 × 2 × 4 <sup>1</sup> / <sub>2</sub> (F=2 <sup>5</sup> / <sub>8</sub> )	.128	50	2800
12 × 4 × 4 <sup>1</sup> / <sub>2</sub> (F=2 <sup>5</sup> / <sub>8</sub> )	.186	50	2800
12 × 4 × 6 (F=3 <sup>3</sup> / <sub>8</sub> )	.240	50	1050
12 × 6 × 4 <sup>1</sup> / <sub>2</sub> (F=2 <sup>5</sup> / <sub>8</sub> )	.217	50	2100
12 × 6 × 6 (F=3 <sup>3</sup> / <sub>8</sub> )	.313	50	1400
12 × 6 × 8 (F=4 <sup>5</sup> / <sub>8</sub> )	.407	50	700
12 × 8 × 4 <sup>1</sup> / <sub>2</sub> (F=2 <sup>5</sup> / <sub>8</sub> )	.265	50	1400
12 × 8 × 6 (F=3 <sup>1</sup> / <sub>8</sub> )	.365	50	1400
12 × 8 × 8 (F=4 <sup>5</sup> / <sub>8</sub> )	.472	50	700
12 × 10 × 4 <sup>1</sup> / <sub>2</sub> (F=2 <sup>5</sup> / <sub>8</sub> )	.316	50	1400
12 × 10 × 8 (F=4 <sup>5</sup> / <sub>8</sub> )	.556	50	700
12 × 12 × 4 <sup>1</sup> / <sub>2</sub> (F=2 <sup>5</sup> / <sub>8</sub> )	.355	50	1400
12 × 12 × 6 (F=3 <sup>3</sup> / <sub>8</sub> )	.454	50	700
12 × 12 × 8 (F=4 <sup>5</sup> / <sub>8</sub> )	.557	50	700
15 × 4 × 4 <sup>1</sup> / <sub>2</sub> (F=2 <sup>5</sup> / <sub>8</sub> )	.214	50	1400
15 × 6 × 4 <sup>1</sup> / <sub>2</sub> (F=2 <sup>5</sup> / <sub>8</sub> )	.250	50	1400
15 × 8 × 4 <sup>1</sup> / <sub>2</sub> (F=2 <sup>5</sup> / <sub>8</sub> )	.301	50	1400
18 × 2 × 4 <sup>1</sup> / <sub>2</sub> (F=2 <sup>5</sup> / <sub>8</sub> )	.175	50	2100
18 × 4 × 4 <sup>1</sup> / <sub>2</sub> (F=2 <sup>5</sup> / <sub>8</sub> )	.241	50	1400
18 × 4 × 6 (F=3 <sup>3</sup> / <sub>8</sub> )	.313	50	1050
18 × 6 × 4 <sup>1</sup> / <sub>2</sub> (F=2 <sup>5</sup> / <sub>8</sub> )	.282	50	1400
18 × 6 × 10 (F=5 <sup>1</sup> / <sub>8</sub> )	.574	25	700
18 × 8 × 4 <sup>1</sup> / <sub>2</sub> (F=2 <sup>5</sup> / <sub>8</sub> )	.339	50	1400
18 × 8 × 10 (F=5 <sup>1</sup> / <sub>8</sub> )	.716	25	700
18 × 10 × 4 <sup>1</sup> / <sub>2</sub> (F=2 <sup>5</sup> / <sub>8</sub> )	.395	50	1050
18 × 10 × 10 (F=5 <sup>1</sup> / <sub>8</sub> )	.772	25	700
18 × 12 × 4 <sup>1</sup> / <sub>2</sub> (F=2 <sup>5</sup> / <sub>8</sub> )	.450	50	700
18 × 12 × 10 (F=5 <sup>1</sup> / <sub>8</sub> )	.879	25	700
18 × 18 × 10 (F=5 <sup>1</sup> / <sub>8</sub> )	1.097	25	350
24 × 4 × 4 <sup>1</sup> / <sub>2</sub> (F=2 <sup>5</sup> / <sub>8</sub> )	.298	50	1050
24 × 4 × 6 (F=3 <sup>3</sup> / <sub>8</sub> )	.384	50	1050
24 × 6 × 4 <sup>1</sup> / <sub>2</sub> (F=2 <sup>5</sup> / <sub>8</sub> )	.346	50	1050
24 × 6 × 6 (F=3 <sup>1</sup> / <sub>2</sub> )	.473	50	700
24 × 8 × 4 <sup>1</sup> / <sub>2</sub> (F=2 <sup>5</sup> / <sub>8</sub> )	.412	50	1050
24 × 8 × 6 (F=3 <sup>1</sup> / <sub>2</sub> )	.544	50	700
24 × 12 × 6 <sup>1</sup> / <sub>2</sub> (F=4 <sup>3</sup> / <sub>8</sub> )	.704	25	700

GET QUOTE NOW

# SIZE INDEX

Size Length x Width x Depth		Wt. Per Each	No. Per Bundle	No. Per Full Pallet
24 x 12 x 12	(F=6 <sup>1</sup> / <sub>8</sub> )	1.174	25	350
24 x 18 x 12	(F=6 <sup>1</sup> / <sub>8</sub> ) <b>(HD Test)</b>	2.403	10	270

## SELF-LOCKING BIN BOX DIVIDERS

3 <sup>3</sup> / <sub>4</sub> x 11 <sup>1</sup> / <sub>16</sub> x 4 <sup>1</sup> / <sub>4</sub>	(F=2 <sup>3</sup> / <sub>8</sub> ) (Fits 2" Bins)	.047	50	5600
3 <sup>3</sup> / <sub>4</sub> x 3 <sup>1</sup> / <sub>2</sub> x 4 <sup>1</sup> / <sub>4</sub>	(F=2 <sup>3</sup> / <sub>8</sub> ) (Fits 4" Bins)	.068	50	3500
3 <sup>3</sup> / <sub>4</sub> x 5 <sup>5</sup> / <sub>8</sub> x 4 <sup>1</sup> / <sub>4</sub>	(F=2 <sup>3</sup> / <sub>8</sub> ) (Fits 6" Bins)	.101	50	3150
3 <sup>3</sup> / <sub>4</sub> x 7 <sup>5</sup> / <sub>8</sub> x 4 <sup>1</sup> / <sub>4</sub>	(F=2 <sup>3</sup> / <sub>8</sub> ) (Fits 8" Bins)	.129	50	4200

## ONE PIECE SELF-LOCKING MAGAZINE-LITERATURE FILE

9 <sup>1</sup> / <sub>4</sub> x 4 x 12 (Popular Magazine and Letter Size)	.304	50	1050
---	------	----	------

## ONE-PIECE SELF-LOCKING LITERATURE TRAYS

8 <sup>5</sup> / <sub>8</sub> x 3 <sup>1</sup> / <sub>4</sub> x 11 <sup>1</sup> / <sub>4</sub> (Letter Size)	.225	50	2100
--	------	----	------

## ONE-PIECE SELF-LOCKING COUNTER DISPLAY EASELS

3 <sup>7</sup> / <sub>8</sub> x 1 <sup>3</sup> / <sub>4</sub> x 8 <sup>1</sup> / <sub>2</sub>	(F = 2 <sup>7</sup> / <sub>16</sub> " )	.088	50	2800
8 <sup>3</sup> / <sub>4</sub> x 2 x 11 <sup>1</sup> / <sub>4</sub>	(F = 2 <sup>3</sup> / <sub>4</sub> " ) (Letter Size)	.194	50	1400

## SELF-LOCKING RECORD FILE BOX WITH LID

15 x 9 <sup>3</sup> / <sub>4</sub> x 12 <sup>1</sup> / <sub>4</sub>	Description (See Pg. 35)	1.425	25	350
15 x 10 <sup>1</sup> / <sub>2</sub> x 4 <sup>1</sup> / <sub>2</sub>	with Lid (Check File Box)	.817	25	700
15 x 12 x 10	with Lid (Snap Lock Bottom with Double Sides and Double Ends)	1.600	25	700
15 x 12 x 10	with Lid (Double Bottom and Double Ends)	1.411	25	700
15 x 12 x 10	with Lid (Double Bottom and Double Ends)	1.600	25	700
15 x 12 x 10	with Lid ( <b>Woodgrain</b> with Triple Ends, Double Sides and Double Bottom)	1.700	25	350
15 <sup>1</sup> / <sub>4</sub> x 12 <sup>1</sup> / <sub>4</sub> x 10	with Lid attached (Double Bottom and Triple Ends)	1.344	25	350
15 <sup>1</sup> / <sub>4</sub> x 12 <sup>1</sup> / <sub>4</sub> x 10	with Lid attached (Double Bottom and Triple Ends)	1.486	25	350
24 <sup>1</sup> / <sub>2</sub> x 15 <sup>1</sup> / <sub>4</sub> x 10	with Lid attached (Double Bottom and Triple Ends)	2.316	10	360

GET QUOTE NOW

## ONE-PIECE SELF-LOCKING FILE AID WITH HAND HOLE

12 x 5 x 9 <sup>7</sup> / <sub>8</sub>	.344	25	700
--	------	----	-----

## SELF-LOCKING TOTE TRAYS

13 <sup>1</sup> / <sub>2</sub> x 13 <sup>1</sup> / <sub>2</sub> x 3 <sup>1</sup> / <sub>2</sub>		.708	25	750
16 x 10 x 7	(Inside Bottom Dimensions BL=13 <sup>1</sup> / <sub>2</sub> " x BW=8")	.882	25	500
18 x 12 x 6		1.089	25	500
19 <sup>1</sup> / <sub>2</sub> x 13 x 10	(Coated 2 Sides, and #3 White 2 Sides)	1.560	20	240
19 <sup>1</sup> / <sub>2</sub> x 13 x 10	(Inside Bottom Dimensions BL=15 <sup>1</sup> / <sub>2</sub> " x BW=9")	1.047	20	240
22 x 15 <sup>1</sup> / <sub>2</sub> x 6	(Inside Bottom Dimensions BL=14 <sup>7</sup> / <sub>8</sub> " x BW=8 <sup>15</sup> / <sub>16</sub> " )	1.611	15	240
25 x 19 x 12	(Inside Bottom Dimensions BL=21 <sup>1</sup> / <sub>2</sub> " x BW=14 <sup>3</sup> / <sub>4</sub> " )	2.493	10	250

## PLASTIC TAPERED TOTE TRAYS

17 x 12 <sup>3</sup> / <sub>8</sub> x 11 <sup>1</sup> / <sub>2</sub>	(Inside Bottom Dimensions BL=14 <sup>1</sup> / <sub>2</sub> " x BW=10 <sup>5</sup> / <sub>8</sub> " )	32	15
22 <sup>1</sup> / <sub>2</sub> x 14 <sup>5</sup> / <sub>8</sub> x 14	(Inside Bottom Dimensions BL=19 <sup>1</sup> / <sub>2</sub> " x BW=12 <sup>1</sup> / <sub>2</sub> " )	32	10

# SIZE INDEX

Size  
Length x Width x Depth

Wt. Per No. Per No. Per  
Each Bundle Full Pallet

## FOAM CORNER BLOCKS

2 <sup>1</sup> / <sub>4</sub> x 2 <sup>1</sup> / <sub>4</sub> x 2 <sup>1</sup> / <sub>4</sub>	( <sup>3</sup> / <sub>4</sub> " Wall Thickness)	<b>21</b>	<b>1060</b>	
3 x 3 x 3	(2" Wall Thickness)	<b>21</b>	<b>168</b>	
3 <sup>1</sup> / <sub>4</sub> x 3 <sup>1</sup> / <sub>4</sub> x 1 <sup>1</sup> / <sub>2</sub>	(1 <sup>1</sup> / <sub>4</sub> " Wall Thickness)	<b>30</b>	<b>672</b>	
3 <sup>1</sup> / <sub>2</sub> x 3 <sup>1</sup> / <sub>2</sub> x 3 <sup>1</sup> / <sub>2</sub>	(1 <sup>1</sup> / <sub>2</sub> " Wall Thickness)	<b>13</b>	<b>168</b>	
7 <sup>3</sup> / <sub>8</sub> x 7 <sup>3</sup> / <sub>8</sub> x 2	(2 <sup>1</sup> / <sub>4</sub> " Wall Thickness)	<b>18</b>	<b>80</b>	

GET QUOTE NOW

## MOLDED POLYSTYRENE EDGE PROTECTORS

35 <sup>1</sup> / <sub>4</sub> x 2 <sup>1</sup> / <sub>2</sub> x 1 <sup>3</sup> / <sub>4</sub>	(1 <sup>1</sup> / <sub>4</sub> " Wall Thickness)	<b>25</b>	<b>100</b>	
35 <sup>1</sup> / <sub>4</sub> x 3 x 2 <sup>1</sup> / <sub>4</sub>	( <sup>3</sup> / <sub>4</sub> " Wall Thickness)	<b>16</b>	<b>100</b>	

## CORRUGATED CORNER PADS

3 x 3 x 3	(Cushion Corner Pad)	<b>.086</b>	<b>50</b>	<b>3500</b>
4 x 4 x 1	(Triangle Corner Pad)	<b>.030</b>	<b>50</b>	<b>8750</b>
5 x 5 x 1 <sup>1</sup> / <sub>2</sub>	(Triangle Corner Pad)	<b>.048</b>	<b>50</b>	<b>6000</b>
5 x 5 x 5	(Cushion Corner Pad)	<b>.218</b>	<b>50</b>	<b>1000</b>
7 x 7 x 2	(Triangle Corner Pad)	<b>.089</b>	<b>50</b>	<b>3000</b>

## ONE-PIECE SELF-LOCKING CARRY-OUT BOTTLE PACKS

7 <sup>1</sup> / <sub>8</sub> x 3 <sup>1</sup> / <sub>2</sub> x 13 <sup>1</sup> / <sub>4</sub>	(2 Pack)	<b>.420</b>	<b>25</b>	<b>700</b>
7 <sup>1</sup> / <sub>4</sub> x 7 <sup>1</sup> / <sub>4</sub> x 13 <sup>1</sup> / <sub>4</sub>	(4 Pack)	<b>.624</b>	<b>25</b>	<b>700</b>
10 <sup>3</sup> / <sub>4</sub> x 3 <sup>1</sup> / <sub>2</sub> x 13 <sup>1</sup> / <sub>4</sub>	(3 Pack)	<b>.586</b>	<b>25</b>	<b>700</b>
10 <sup>3</sup> / <sub>4</sub> x 7 <sup>1</sup> / <sub>4</sub> x 13 <sup>1</sup> / <sub>4</sub>	(6 Pack)	<b>.842</b>	<b>25</b>	<b>700</b>